

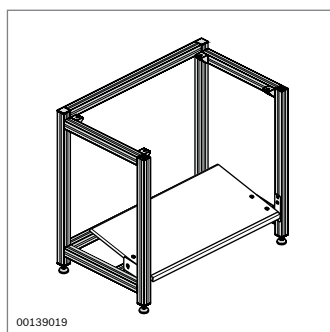
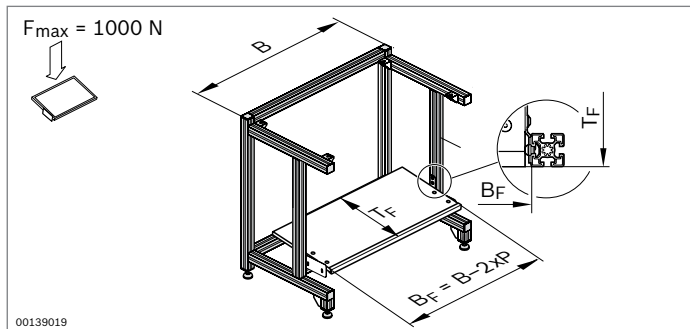
	L (mm)	ESD	No.
Rubber profile	2000	10	3 842 537 135
	30 ... 2000		3 842 994 979/L

Rubber profile



- ▶ To avoid hard abutting edges, for instance when setting down impact-sensitive products
- ▶ As a footrest: Clip in from top and front on the cross strut of the workstation
- ▶ Very simple and inexpensive
- ▶ Suitable for the construction of ESD workstations

Material: EPDM; conduction resistance $R_{gp} < 1 \times 10^9 \Omega$



Footrest Economic



- ▶ For 0–7° inclination
- ▶ For low-fatigue sitting at the workstation
- ▶ Attachment to the table frame for box or desk type
- ▶ Oil-resistant
- ▶ Aluminum U-profile on front edge to prevent premature wear of the footrest edge
- ▶ Suitable for the construction of ESD workstations

Material: Chipboard, hard-coated; conduction resistance $R_{gp} < 1 \times 10^9 \Omega$ (DIN EN 61340-5-1)

Scope of delivery: includes fastening material (10 mm slot)

ESD scope of delivery: includes fastening material and grounding cable (10 mm slot) (see page 62)

See technical data (page 195)

Footrest Economic		3 842 998 256
ESD	Conductivity	Yes, no
B _F	Footrest width	400 ... 1020 mm
T _F	Footrest depth	300 ... 600 mm

	B _F (mm)	T _F (mm)	ESD	No.
Footrest Economic; assembled	900	400		3 842 538 771
	900	400		3 842 538 772