

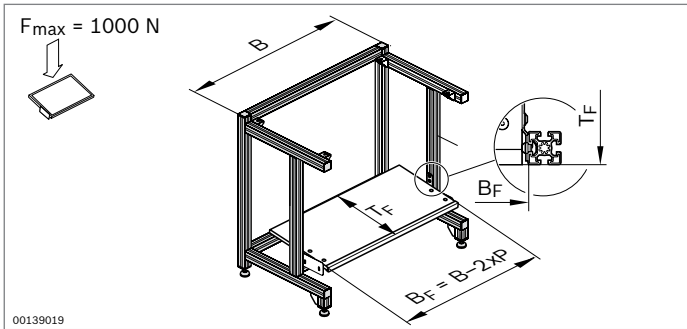
	L (mm)	ESD	No.
Rubber profile	2000	10	3 842 537 135
	30 ... 2000		3 842 994 979/L

Rubber profile



- ▶ To avoid hard abutting edges, for instance when setting down impact-sensitive products
- ▶ As a footrest: Clip in from top and front on the cross strut of the workstation
- ▶ Very simple and inexpensive
- ▶ Suitable for the construction of ESD workstations

Material: EPDM; conduction resistance $R_{gp} < 1 \times 10^9 \Omega$



Footrest Economic



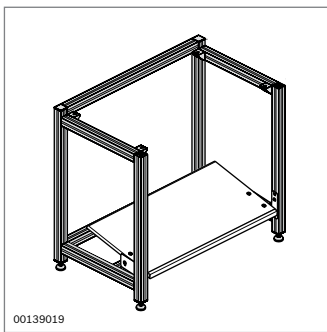
- ▶ For 0–7° inclination
- ▶ For low-fatigue sitting at the workstation
- ▶ Attachment to the table frame for box or desk type
- ▶ Oil-resistant
- ▶ Aluminum U-profile on front edge to prevent premature wear of the footrest edge
- ▶ Suitable for the construction of ESD workstations

Material: Chipboard, hard-coated; conduction resistance $R_{gp} < 1 \times 10^9 \Omega$ (DIN EN 61340-5-1)

Scope of delivery: includes fastening material (10 mm slot)

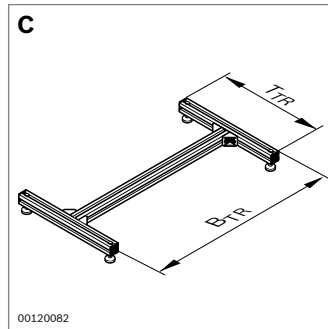
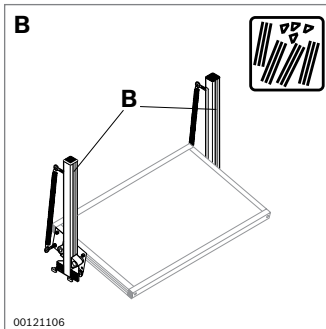
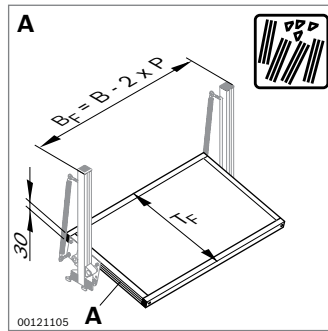
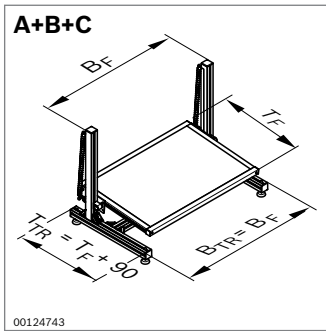
ESD scope of delivery: includes fastening material and grounding cable (10 mm slot) (see page 62)

See technical data (page 195)



Footrest Economic		3 842 998 256
ESD	Conductivity	Yes, no
B_F	Footrest width	400 ... 1020 mm
T_F	Footrest depth	300 ... 600 mm

	B_F (mm)	T_F (mm)	ESD	No.
Footrest Economic; assembled	900	400		3 842 538 771
	900	400		3 842 538 772



Footrest Basic Support frame



Footrest Basic

- ▶ With fixed inclination of 5°
- ▶ For low-fatigue sitting at the workstation
- ▶ Easy height adjustment while seated (adjustment range: 250 mm)
- ▶ Installed on table frame using attachment kit
- ▶ Installed on free-standing support frame using attachment kit
- ▶ Oil-resistant
- ▶ Suitable for the construction of ESD workstations

Frame material: Aluminum profile; anodized

Rest material: Chipboard, hard-coated; conduction

resistance $R_{gp} < 1 \times 10^9 \Omega$ (DIN EN 61340-5-1)

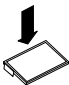
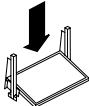
Scope of delivery: includes fastening material (10 mm slot)

ESD scope of delivery: includes fastening material and grounding cable (10 mm slot) (see page 62)

See technical data (page 195)

A, B, C Footrest Basic		3 842 998 257
A	Design	Disassembled, assembled
ESD	Conductivity	Yes, no
B_F	Footrest width	400 ... 1020 mm
T_F	Footrest depth	350 ... 600 mm
T_R	Support frame	Yes, no

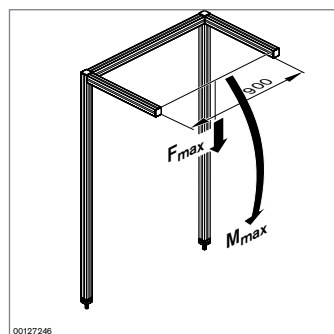
		B_F (mm)	T_F (mm)	B_{TR} (mm)	T_{TR} (mm)	ESD	No.
A	Footrest Basic	900	530				3 842 515 160
		900	530			⚡	3 842 538 098
B	Attachment kit						3 842 537 737
A+B	Footrest Basic + attachment kit	900	530				3 842 519 735
		900	530			⚡	3 842 538 409
C	Support frame			900	558		3 842 521 013

	Economic	Basic
		
F_{max} (N)	1000	1000

Footrests

Maximum load of configurable footrests as well as standard footrests.

- 3 842 998 256** (see page 28)
- 3 842 538 771** (see page 28)
- 3 842 538 772** (see page 28)
- 3 842 998 257** (see page 29)
- 3 842 519 735** (see page 29)
- 3 842 538 409** (see page 29)
- 3 842 515 160** (see page 29)
- 3 842 538 098** (see page 29)



F_{max} (N)	250
M_{max} (Nm)	150

Workstation accessories

Standard strut extension P = 45x45L

- 3 842 519 530** (see page 24)