

### Socket strip

- ▶ Socket strip with two or three grounded plug sockets
- ▶ Socket insert for space-saving layout with angled plugs
- ▶ With GST outlet socket including cap for looping through the electrical current
- ▶ When connecting several products in series, observe the maximum permissible current. See the table below
- ▶ Intended for permanent installation
- ▶ Only permissible in combination with installation elements from Rexroth
- ▶ Versions with switchable input and/or output and RCD safety switch
- ▶ RCD module:  $I_{\Delta n} = 30 \text{ mA}$

IP rating: IP 20 (DIN EN IEC 60529)

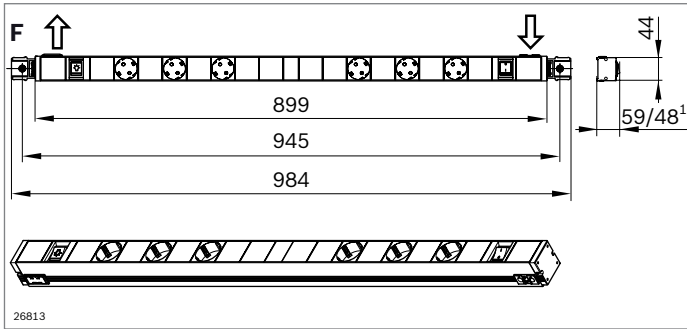
Material: Aluminum, anodized; insert: plastic, black

Scope of delivery: includes insulating fastening material (10 mm slot)

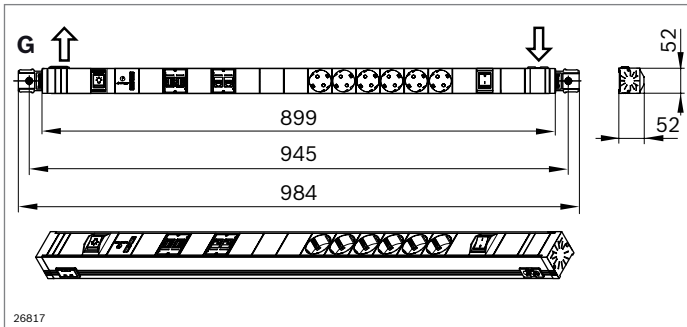
Required accessories: mains cable (see page 48) or, if necessary, connecting cable (see page 49)

	Country	Current (A)/ voltage (V)	L x W x H (mm)	No.
<b>A</b> Socket strip 	D	Max. 16 A/230 V	263x44x48	<b>3 842 539 842</b>
	F	Max. 16 A/230 V	263x44x48	<b>3 842 539 852</b>
	GB	Max. 13 A/230 V	263x44x48	<b>3 842 539 862</b>
	USA/CDN <sup>1</sup>	Max. 15 A/125 V	263x44x59	<b>3 842 539 880</b>
<b>B</b> Socket strip, switchable output 	D	Max. 16 A/230 V	263x44x48	<b>3 842 539 844</b>
	F	Max. 16 A/230 V	263x44x48	<b>3 842 539 854</b>
	GB	Max. 13 A/230 V	263x44x48	<b>3 842 539 864</b>
	CH	Max. 10 A/230 V	263 x 44 x 59	<b>3 842 539 872</b>
	USA/CDN <sup>1</sup>	Max. 15 A/125 V	263x44x59	<b>3 842 539 882</b>
<b>C</b> Socket strip, switchable input 	D	Max. 16 A/230 V	263x44x48	<b>3 842 539 846</b>
	F	Max. 16 A/230 V	263x44x48	<b>3 842 539 856</b>
	GB	Max. 13 A/230 V	263x44x48	<b>3 842 539 866</b>
<b>D</b> Socket strip, switchable output, RCD $I_{\Delta n} = 30 \text{ mA}$	D	Max. 16 A/230 V	404x44x87	<b>3 842 542 060</b>
	F	Max. 16 A/230 V	404x44x87	<b>3 842 539 858</b>
<b>E</b> RCD $I_{\Delta n} = 30 \text{ mA}$	EU	Max. 16 A/230 V	233x44x87	<b>3 842 552 214</b>

<sup>1</sup> UL and CSA test marks



<sup>1</sup> Special country-specific dimensions



### Power strip (F)

- ▶ Power strip with six grounded plug sockets for attachment to a strut extension (workstations with B = 990 mm)

### Network strip (G)

- ▶ Network strip with six grounded plug sockets and USB 3.0 socket, LAN (RJ45) port and USB charger for attachment to a strut extension (workstations with B = 990 mm)

IP rating: IP 20 (DIN EN IEC 60529)

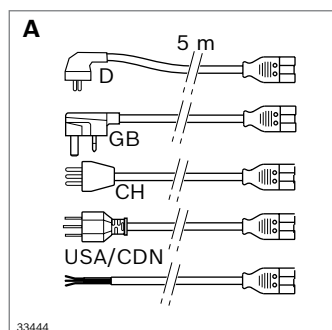
Material: Aluminum, anodized; insert: plastic, black

Scope of delivery: includes insulating fastening material (10 mm slot)

Required accessories: mains cable (see page 48) or, if necessary, connecting cable (see page 49)

	Country	Current (A)/ voltage (V)	L x B x H (mm)	No.
<b>F</b> Power strip, switchable input, switchable output 	D	Max. 16 A/230 V	899x44x48	<b>3 842 539 850</b>
	F	Max. 16 A/230 V	899x44x48	<b>3 842 539 860</b>
	GB	Max. 13 A/230 V	899x44x48	<b>3 842 539 868</b>
	CH	Max. 10 A/230 V	899x44x59	<b>3 842 539 876</b>
	USA/CDN <sup>1</sup>	Max. 15 A/125 V	899x44x59	<b>3 842 539 884</b>
<b>G</b> Network strip, switchable input, switchable output 	D	Max. 16 A/230 V	899x52x52	<b>3 842 552 212</b>

<sup>1</sup> UL and CSA test marks



33444

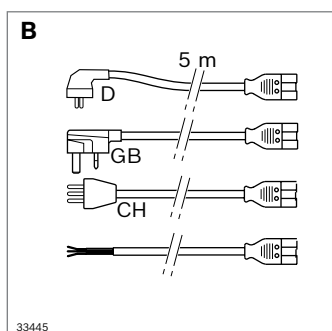
### Mains cable (A)

- ▶ Use in light industrial environments
- ▶ For connecting system lamps, socket strips or power strips
- ▶ Ready-to-use mains cable: in various country versions; for simple, secure plug-and-play installation
- ▶ Open-ended mains cable: for self-assembly; accessories: GST plug

Connection cable material:

EU: PVC (H05VV-F); black

USA/CDN: PVC (SJTOW); black

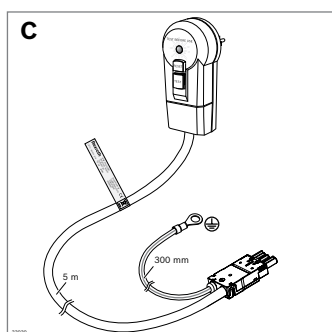


33445

### HD mains cable (B)

- ▶ Use in moderate industrial environments
- ▶ For connecting system lamps, socket strips or power strips
- ▶ Ready-to-use mains cable: in various country versions; for simple, secure plug-and-play installation
- ▶ Open-ended mains cable: for self-assembly; accessories: GST plug

Connection cable material: PUR (H07BQ-F), orange



33000

### Mains cable with RCD module and PE connection (C)

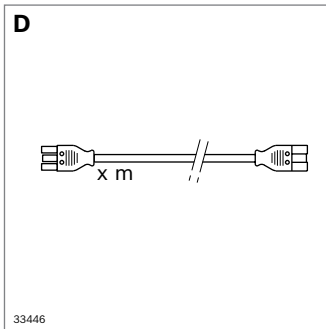
- ▶ For secure connection of workstations directly from the socket
- ▶ Ready-to-use mains cable: for simple, secure plug-and-play installation
- ▶ RCD module:  $I_{\Delta n} = 30 \text{ mA}$

IP rating: IP 20 (DIN EN IEC 60529)

Connection cable material: PUR (H07BQ-F); orange

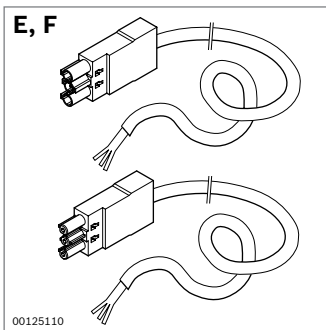
	Country	L (m)	No.
<b>A</b> Mains cable	D/F	5	<b>3 842 517 045</b>
	GB	5	<b>3 842 522 585</b>
	CH	5	<b>3 842 523 910</b>
	USA/CDN <sup>1</sup>	5	<b>3 842 537 323</b>
	Open-ended	5	<b>3 842 517 201</b>
<b>B</b> HD mains cable	D/F	5	<b>3 842 554 183</b>
	GB	5	<b>3 842 555 603</b>
	CH	5	<b>3 842 555 605</b>
	Open-ended	5	<b>3 842 555 607</b>
	<b>C</b> Mains cable with RCD module and PE connection	D/F	5

<sup>1</sup> UL and CSA test marks



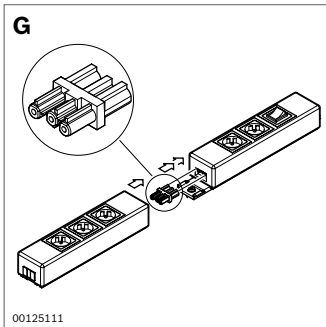
### Connection cable (D)

- ▶ For cable connections between system lamps, socket strips or power strips
  - ▶ Ready-made in various country versions and lengths
  - ▶ For simple and secure plug-and-play installation
- Color: Black

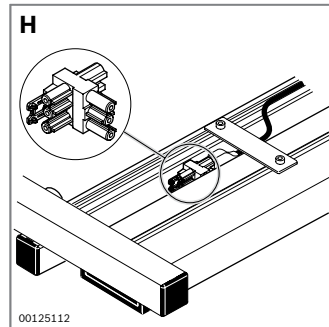


### GST plug, GST socket (E, F)

- ▶ For cable self-assembly
- Color: Black



### Connecting plug (G)



### T-plug (H)

### Plug-and-socket lock (I)

- ▶ For extending connection cables to standard

### GST socket locking piece (J)

### GST plug locking piece (K)

	Country	L (m)		No.
D Connection cable	EU	4		<b>3 842 537 598</b>
		3		<b>3 842 527 207</b>
		2		<b>3 842 517 047</b>
		1.5		<b>3 842 537 123</b>
		1		<b>3 842 517 049</b>
		0.5		<b>3 842 517 051</b>
	USA/CDN <sup>1</sup>	4		<b>3 842 537 599</b>
		3		<b>3 842 537 558</b>
		2		<b>3 842 537 560</b>
		1.5		<b>3 842 537 562</b>
		1		<b>3 842 537 564</b>
		0.5		<b>3 842 537 566</b>
E GST plug			10	<b>3 842 517 043</b>
F GST socket			10	<b>3 842 517 044</b>
G Connecting plug			10	<b>3 842 517 055</b>
H T-plug			10	<b>3 842 532 909</b>
I Plug-and-socket lock				<b>3 842 554 181</b>
J GST socket locking piece				<b>3 842 555 621</b>
K GST plug locking piece				<b>3 842 555 622</b>

<sup>1</sup> UL and CSA test marks