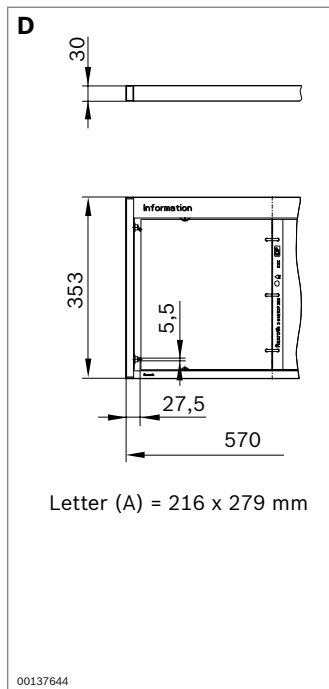
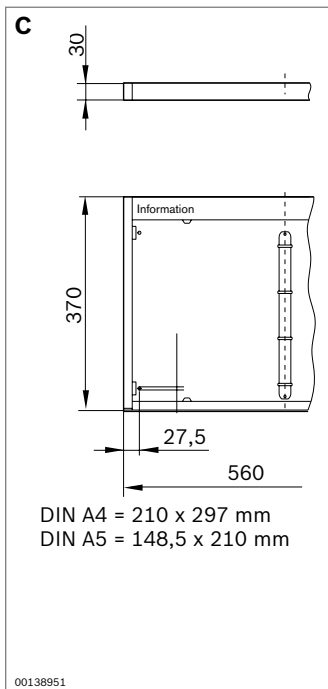
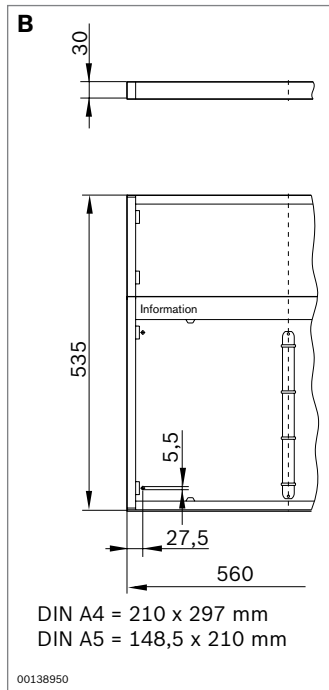
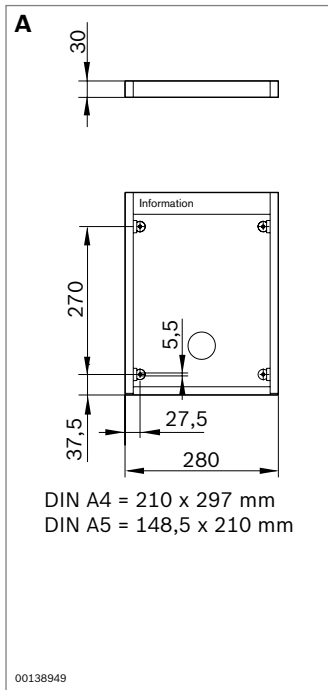




00121498



### Information boards



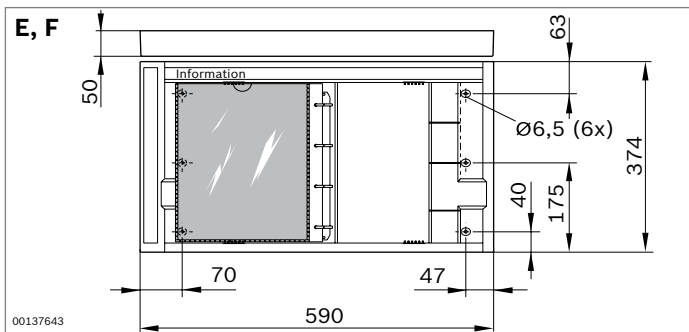
- ▶ For providing information at the workstation, in the material shuttle or on the supermarket shelf
- ▶ High stability
- ▶ Can be mounted horizontally or vertically
- ▶ A4 information board (**A**): One-sided version
- ▶ 2xA4 plus information board (**B**): Two-sided version with 4-ring mechanism, DIN A4; insert areas for notice boards
- ▶ 2xA4 EU information board (**C**): Two-sided version with 4-ring mechanism, DIN A4
- ▶ 2xA4 US information board (**D**): Two-sided version with 3-ring mechanism, Letter
- ▶ ESD version for use at ESD workstations

Frame profile material: aluminum; anodized, natural  
Back panel and board material: sheet steel; powder-coated, RAL 7016 anthracite gray  
powder-coated, RAL 7037 anthracite gray (ESD)  
Scope of delivery: includes fastening material (10 mm slot); neutral-colored, self-adhesive text holder; reinforced transparent plastic sleeve (**A**: 1; **B, C, D**: 2)  
Accessories: transparent plastic sleeve (see page 51)

	Country	ESD No.
<b>A</b> A4 information boards	EU	<b>3 842 502 151</b>
<b>B</b> 2xA4 plus information boards	EU	<b>3 842 502 154</b>
<b>C</b> 2xA4 information boards	EU	<b>3 842 502 153</b>
		<b>3 842 537 870</b>
<b>D</b> 2xLetter information boards	USA	<b>3 842 538 789</b>



00121501



00137643

### ISO information boards



- ▶ Inexpensive plastic version
- ▶ Can be mounted horizontally or vertically
- ▶ 2xA4 EU information board (**E**): Two-sided version with 4-ring mechanism for 18 reinforced transparent plastic sleeves, DIN A4 format
- ▶ 2xLetter US information board (**F**): Two-sided version with 3-ring mechanism for 18 reinforced transparent plastic sleeves, Letter format

Material: ABS; RAL 7016 anthracite gray

Scope of delivery: includes fastening material, labels in several languages, reinforced transparent plastic sleeve

Accessories: transparent plastic sleeve (see page 51)

	Country	No.
<b>E</b> 2xA4 ISO information boards	EU	<b>3 842 517 163</b>
<b>F</b> 2xLetter ISO information boards	USA	<b>3 842 517 164</b>

	Country	ESD	No.
A4 transparent plastic sleeve	EU	10	<b>3 842 539 838</b>
		10	<b>3 842 537 358</b>
Letter transparent plastic sleeve	USA	10	<b>3 842 539 839</b>
		10	<b>3 842 537 360</b>

### Transparent plastic sleeve

- ▶ Transparent plastic sleeve fits information board and ISO information board
- ▶ Reinforced version
- ▶ DIN A4: with 4 holes for EU version
- ▶ Letter: with 3 holes for US version
- ▶ ESD version: long-lasting conductivity Surface resistance  $R_{pp} = 10^4 \dots 10^{11} \Omega$ . ESD conductivity can be reduced by UV rays, heat and chemicals. A yearly check is recommended.

Material: PVC



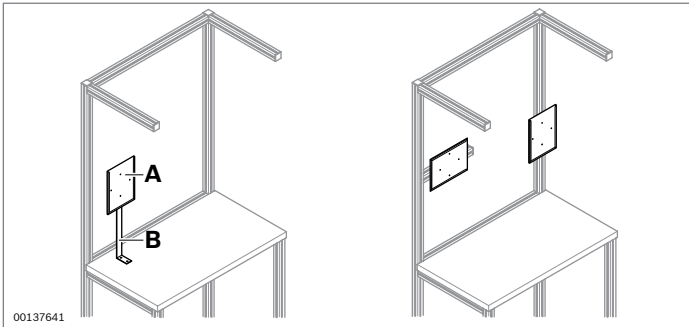
00120929

## Slide-in holder

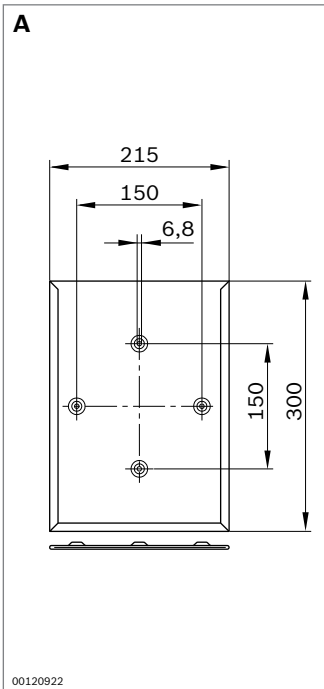
- ▶ For providing individual information sheets in DIN A4 format, e.g., work sequence cards
- ▶ Can be mounted horizontally or vertically
- ▶ Protective pane keeps information clean
- ▶ Holder for fixing to table top

Color: RAL 7035 light gray

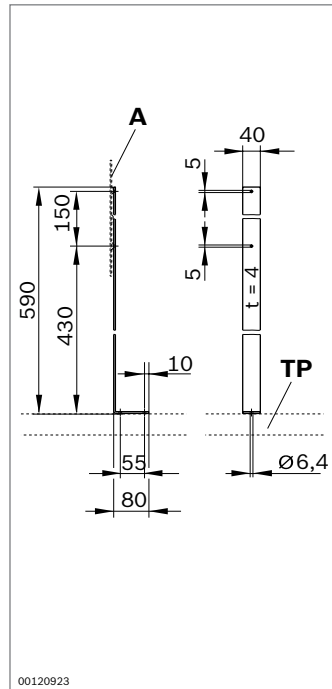
Required accessories: bolts



00137641



00120922



00120923

	No.
<b>A</b> Slide-in holder	<b>1 845 410 015</b>
<b>B</b> Holder	<b>3 842 000 058</b>