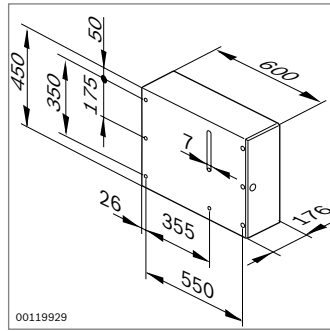




00120929



00119929

Cabinet

- ▶ Installation on left or right side
- ▶ Lockable door
 - Pull-out tool tray
- ▶ Assembly on table frame (slot spacing 550 mm)

Material: sheet steel; RAL 7035 light gray

Scope of delivery: includes key

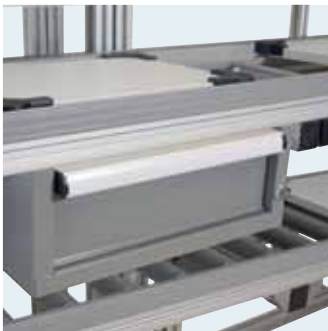
Required accessories:

M6 T-nut (3 842 530 285, see page 62);

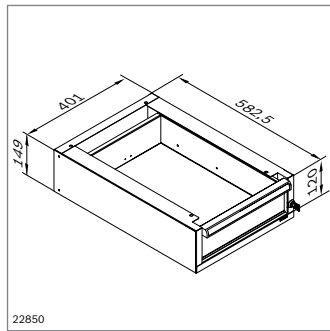
M6x14 DIN 912 bolt;

DIN 125 washer

	No.
Cabinet, left-side installation	3 842 028 621
Cabinet, right-side installation	3 842 028 620



23079



22850

Base drawer



- ▶ Quiet, easy-closing drawer with ball bearing; automatic closing
- ▶ Lockable drawer
- ▶ Ergonomic aluminum handle bar with label field
- ▶ Permissible drawer load: 350 N
- ▶ ESD version
- ▶ Mounting (suspended):
 - on table frame
 - on table top

ESD material: sheet steel; RAL 7037 dusty gray

Scope of delivery: includes drilling template, fastening material, key

	ESD No.
Base drawer	3 842 546 533



23076

Drawer cabinets Containers



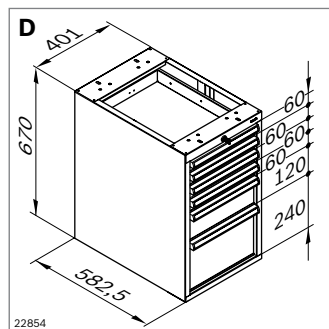
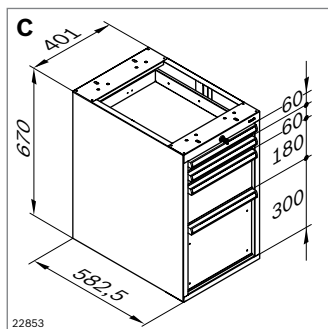
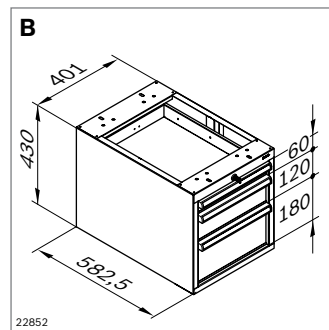
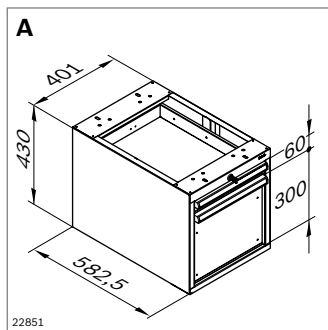
Drawer cabinet (A, B)

- ▶ Soft-closing, easy-to-close drawers with ball bearing; automatic closing
- ▶ Ergonomic aluminum handle bar with label field
- ▶ All drawers can be locked at same time
- ▶ Permissible load
 - Per drawer: 350 N
 - Total per drawer cabinet: 850 N
- ▶ Available as ESD-conductive version
- ▶ Mounting (suspended):
 - on table frame
 - on table top

Material: sheet steel; RAL 7035 light gray

ESD material: sheet steel; RAL 7037 dusty gray

Scope of delivery: includes drilling template, fastening material, key



Containers (C, D)

- ▶ Soft-closing, easy-to-close drawers with ball bearing; automatic closing
- ▶ Ergonomic aluminum handle bar with label field
- ▶ All drawers can be locked at same time
- ▶ Permissible load
 - Per drawer: 350 N
 - Total per container: 1300 N
- ▶ Available as ESD-conductive version
- ▶ Fitted with castors, e.g., for setting up next to workstation




Material: sheet steel; RAL 7035 light gray

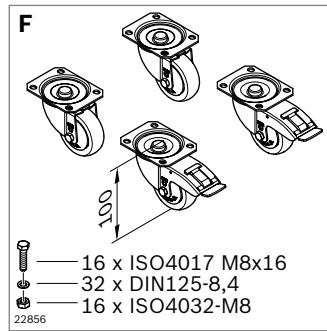
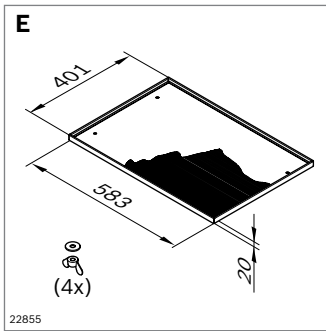
ESD material: sheet steel; RAL 7037 dusty gray

Scope of delivery: includes drilling template, fastening material, key

Required accessories: cover (E), castors (set) (F)

See technical data (page 198)

	ESD No.
A Drawer cabinet, two drawers	3 842 546 534
	 3 842 546 538
B Drawer cabinet, three drawers	3 842 546 535
	 3 842 546 539
C Container, four drawers	3 842 547 886
	 3 842 546 540
D Container, six drawers	3 842 547 887



Cover for container (E)

Cover material: sheet steel; powder-coated, RAL 7035 light gray

ESD cover material: sheet steel; powder-coated, RAL 7037 dusty gray

Scope of delivery: includes fastening material

Castors for container (F)

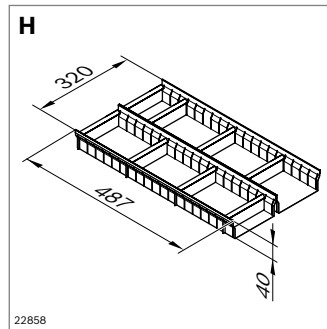
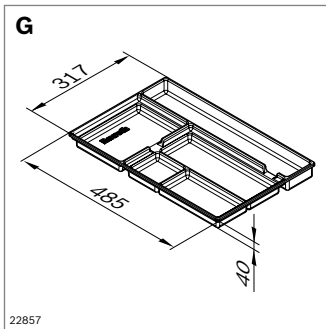
- ▶ Set of two castors and two castors with stop

Housing material: sheet steel; galvanized

Wheel body material: PP

Wheel running surface material Thermoplastic rubber

Scope of delivery: includes fastening material

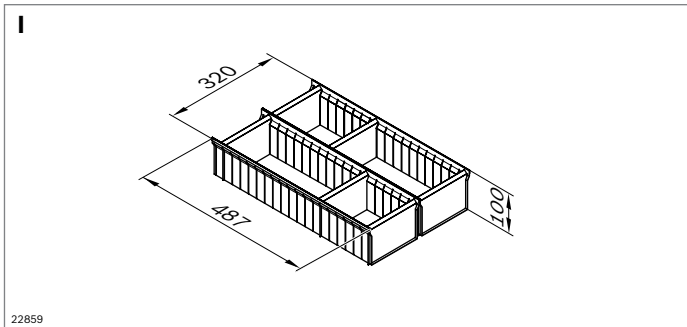


Drawer insert (G, H, I)

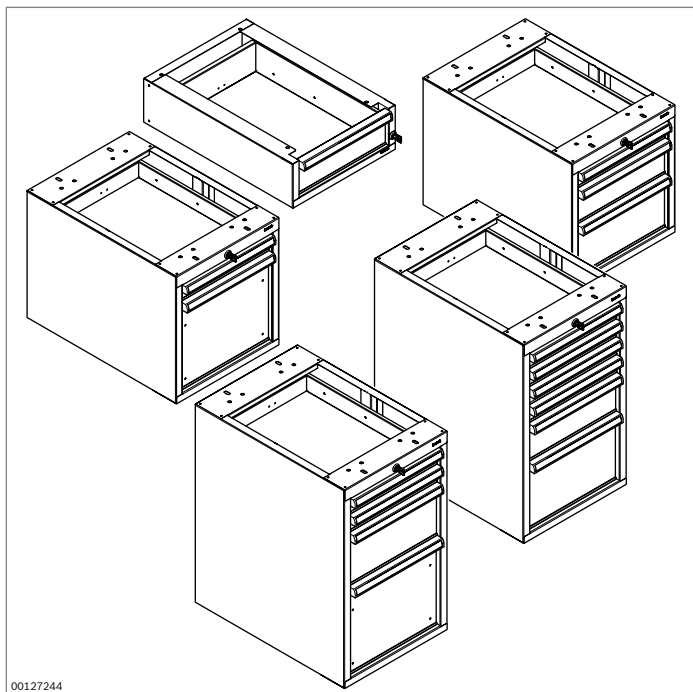
- ▶ Fixed arrangement (G)
- ▶ Variable arrangement (H, I), bending plate can be opened

Material G: ABS; black

Material H, I: sheet steel; galvanized



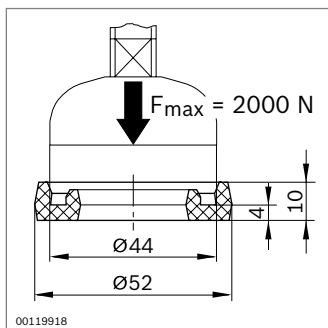
	h (mm)		ESD No.
E Cover for container			3 842 546 542
			3 842 546 543
F Castors for container (castor diameter: 80 mm)		Set	3 842 547 885
			3 842 546 541
G Drawer insert	40		3 842 548 900
H Drawer insert, variable arrangement	40		3 842 546 546
I Drawer insert, variable arrangement	100		3 842 546 547



**Base drawer
Drawer cabinets
Containers**

- 3 842 546 533** (see page 53)
- 3 842 546 534** (see page 54)
- 3 842 546 535** (see page 54)
- 3 842 546 538** (see page 54)
- 3 842 546 539** (see page 54)
- 3 842 546 540** (see page 54)
- 3 842 547 886** (see page 54)
- 3 842 547 887** (see page 54)

Load per drawer: 350 N
 Total load for cabinet: 800 N
 Total load for container: 1300 N



F_{max} (N)	2000
----------------------------	------

Damping rings

- 3 842 521 817** (see page 62 f.)