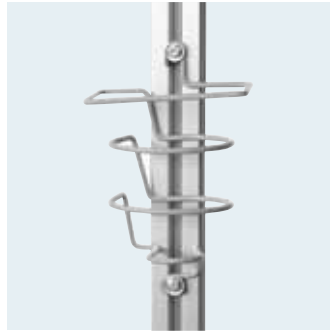




00120963



00120937

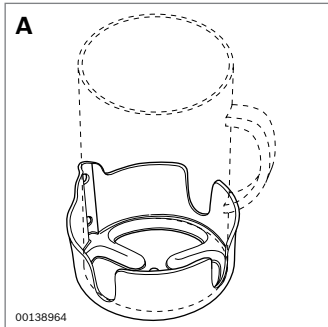
Holders



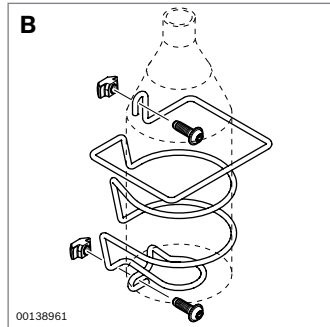
Cup holder (A)

Material: PA66; black

Required accessories: M5 T-nuts for 10 mm slot



00138964



00138961

Bottle holder (B)

► Accommodates bottles and rectangular drink cartons

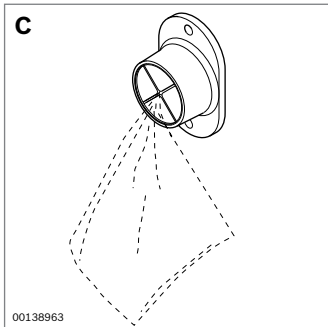
Material: steel wire; powder-coated; RAL 7037 light gray

Scope of delivery: includes fastening material (10 mm slot)

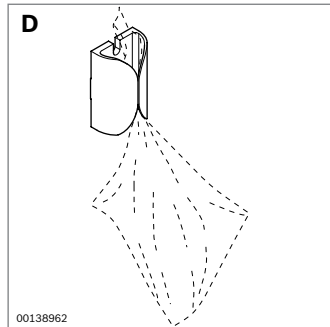
Cloth holder (C, D)

► For hanging cleaning cloths

► Cloth holder D with clamp base for direct assembly on strut profile with 10 mm slot



00138963





00138962

Color: black

Required accessories (for C):

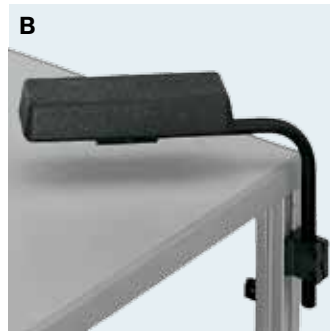
M5 T-nuts for 10 mm slot;

M5x12 8.8 DIN 7984 bolts

	 ESD No.
A Cup holder	3 842 513 722
B Bottle holder	 3 842 540 429
C Cloth holder	1 845 719 000
D Cloth holder with clamp base	3 842 530 306
M5 T-nut for 10 mm slot	100 3 842 530 283



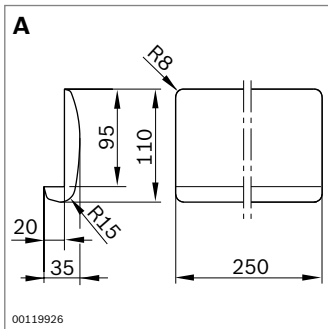
00120932



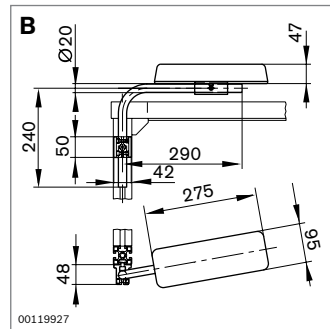
6820



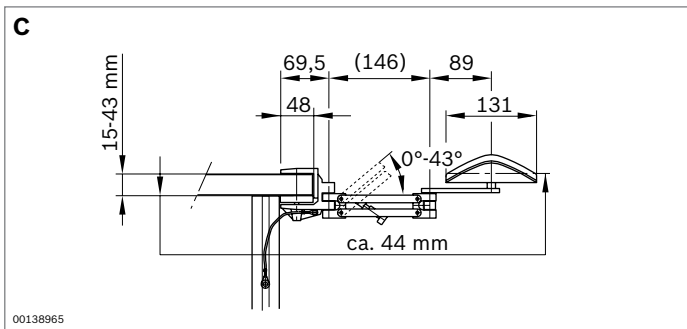
00120935



00119926



00119927



00138965

Armrest



Armrest (A)

- ▶ Soft support pads protect wrists and arms
- ▶ ESD version: Conductive. ESD conductivity can be reduced by UV rays, heat, wear and chemicals. A yearly check is recommended.

Material: flexible PUR foam; black

Required accessories: double-sided tape (copper tape for ESD version) for fixing to table top

Adjustable armrest (B)

- ▶ Relieves arm strain during assembly work
- ▶ Fastened to table frame; suitable for all Rexroth box-type workstations

Pad material: flexible PUR foam; black

Scope of delivery: includes fastening material (10 mm slot)

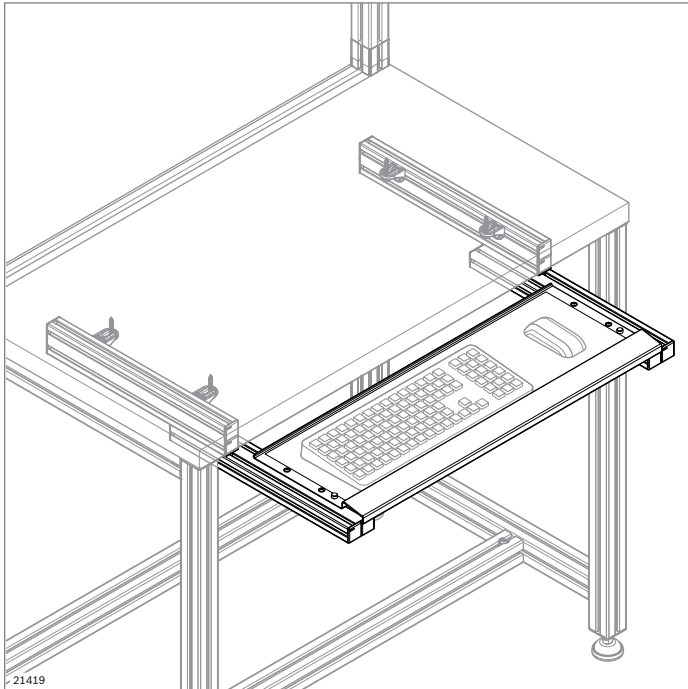
Armrest with pad (C)

- ▶ Relieves arm strain during assembly work
- ▶ Hinges allow precisely controlled movements
- ▶ Clamp attachment to table top
- ▶ ESD version for use at ESD workstations

Pad material: leather; white

ESD pad material: leather; black

	ESD	No.
A Armrest		3 842 191 186
		3 842 516 704
B Adjustable armrest		3 842 191 178
C Armrest with pad		3 842 515 493
		3 842 515 525



Keyboard shelf

- ▶ For secure, space-saving stowage of keyboards and computer mice at the workstation
- ▶ Suitable for optical and ball mice
- ▶ Keyboard shelf (separate) **(A)** for self-assembly
- ▶ Liner mat **(C)** for an extra non-slip surface

Material: sheet steel; powder-coated; RAL 7035 light gray
Liner mat material: EPDM

Pull-out keyboard shelf with rail (B)

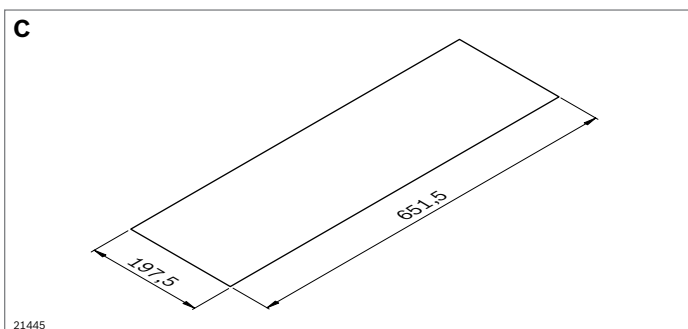
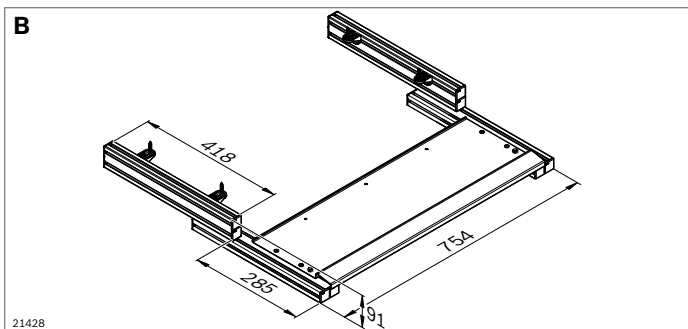
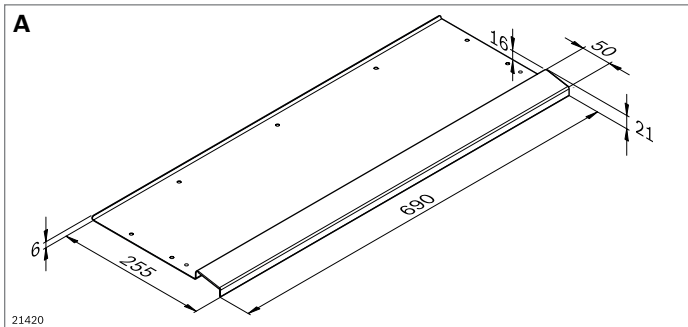
- ▶ Pull-out keyboard shelf with rail for installation underneath a table top
- ▶ Suitable for table frames with profiles:
 - 40x40: B ≥ 926 mm; T ≥ 518 mm
 - 45x45: B ≥ 946 mm; T ≥ 523 mm
 - 60x60: B ≥ 1008 mm; T ≥ 538 mm
- ▶ Liner mat **(C)** for an extra non-slip surface

Keyboard shelf material: sheet steel; powder-coated;
RAL 7035 light gray

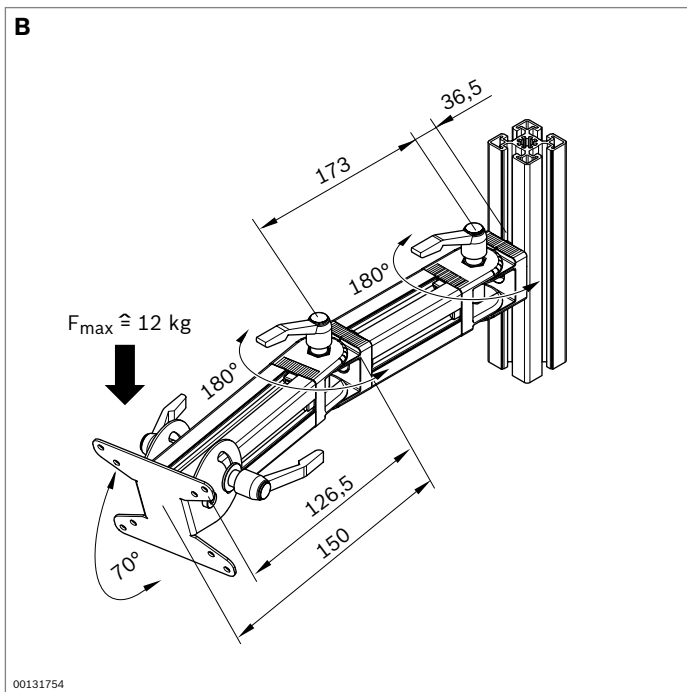
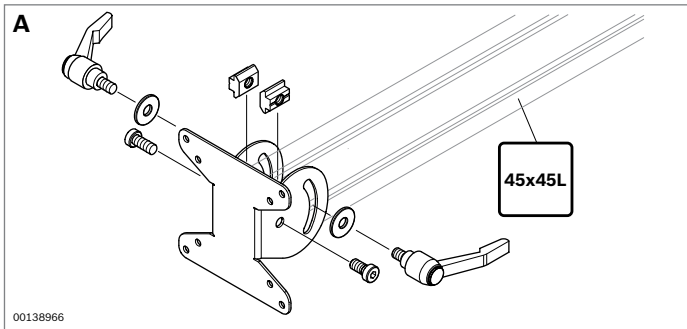
Pull-out rail material: aluminum

Liner mat material: EPDM

Scope of delivery: includes fastening material for mounting underneath the table top



	ESD	No.
A Keyboard shelf (separate)	⚠	3 842 546 750
B Pull-out keyboard shelf with rail		3 842 544 793
C 651x197x2 liner mat	⚠	3 842 546 751



TFT monitor bracket

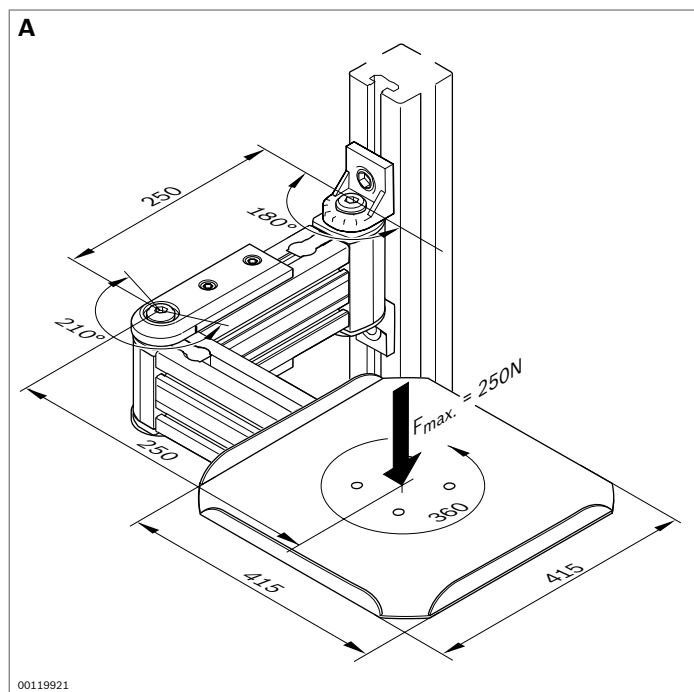


- ▶ TFT monitor bracket (**A**) with VESA hole pattern (75x75 mm and 100x100 mm) for mounting a TFT monitor on a 45x45L profile
- ▶ Swivel range: 70°
- ▶ TFT monitor bracket with supporting arm (**B**) can be swiveled and horizontally adjusted. Enables ergonomically ideal positioning of the screen.

Scope of delivery **A**: includes fastening material (10 mm slot)

Scope of delivery **B**: includes supporting arm (45x45L profile, DesignLINE joints); includes fastening material (10 mm slot)

	No.
A TFT monitor bracket	3 842 539 840
B TFT monitor bracket with supporting arm	3 842 539 806



Supporting arm



- ▶ For space-saving positioning of a monitor or material container at the workstation
- ▶ Multiple hinges

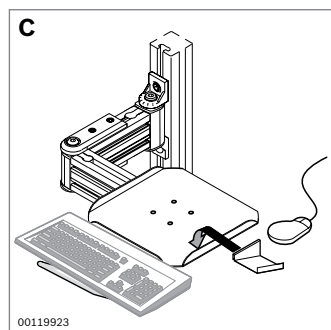
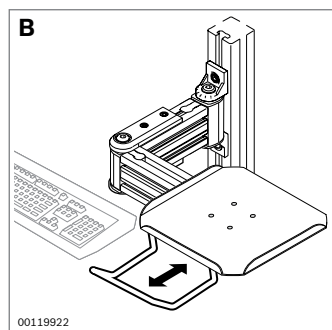
Scope of delivery: includes fastening material (10 mm slot)

Keyboard shelf

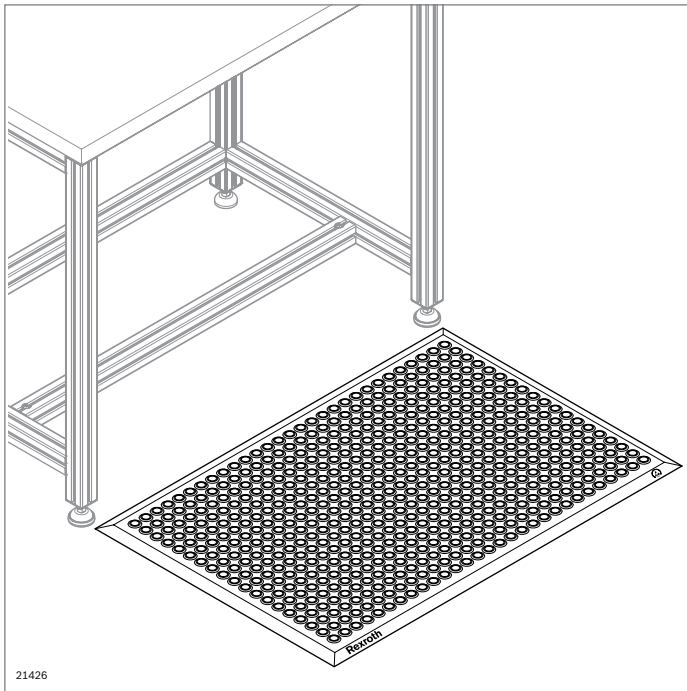
- ▶ Extendable
- ▶ Suspends on supporting arm

Mouse holder

- ▶ Suspends on supporting arm



	No.
A Supporting arm	3 842 521 970
B Keyboard shelf	3 842 522 305
C Mouse holder	3 842 522 130

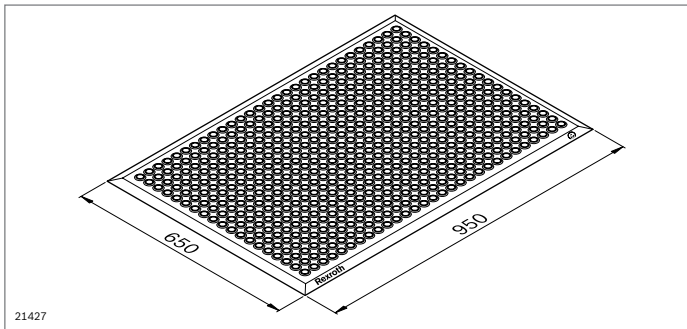



Ergonomic mat



- ▶ Elastic ergonomic mat cushions employees' movements, reduces strain and protects joints
- ▶ Improved circulation reduces fatigue
- ▶ Use at stand up/moving workstations and machines

Material: PUR (without CFCs), ESD
 $R_{gp} < 1 \times 10^9 \Omega$ (DIN EN 61340-5-1)



	ESD No.
Ergonomic mat	 3 842 544 789