

## Components for ESD applications



### Set of grounding components (A)

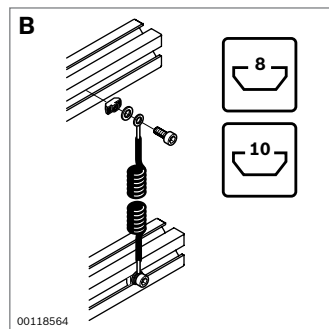
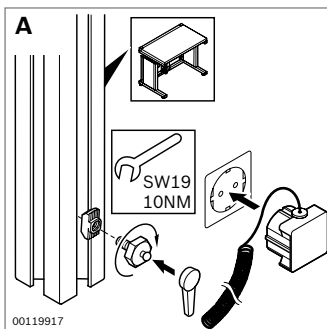
- ▶ For defined grounding of ESD workstations
- ▶ Conduction resistance  $R = 1 \times 10^6 \Omega$  (DIN EN 61340-5-1)

Scope of delivery: includes fastening material (10 mm slot)

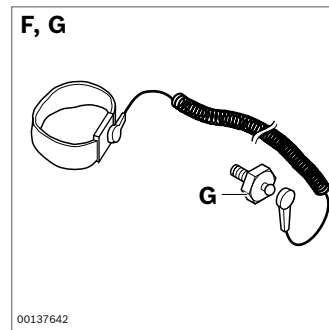
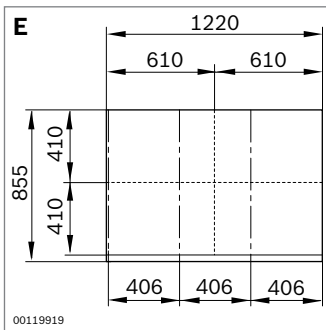
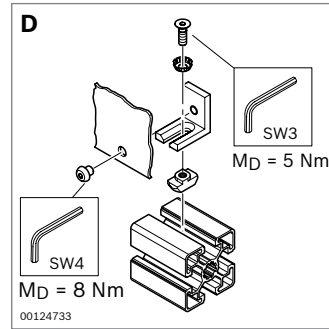
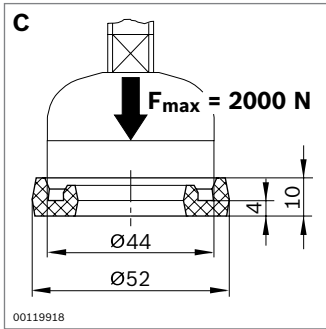
### Grounding cable (B)

- ▶ To create defined conductive paths between strut profiles to protect ESD-sensitive components
- ▶ Total length 1200 mm

Scope of delivery: includes fastening material  
(10 mm slot/10 mm slot)  
(10 mm slot/8 mm slot)



	ESD	No.
<b>A</b> Set of grounding components		<b>3 842 522 087</b>
<b>B</b> Grounding cable		<b>3 842 519 465</b>
<b>C</b> Damping ring, insulating	20	<b>3 842 521 817</b>
<b>D</b> Potentialfix		<b>3 842 536 320</b>
<b>E</b> ESD mat insert (1220 mm x 855 mm)		<b>3 842 522 012</b>
<b>F</b> Wrist band		<b>3 842 516 908</b>
<b>G</b> Connection piece	10	<b>3 842 516 905</b>
M6 T-nuts for 10 mm slot	100	<b>3 842 530 285</b>



### Damping ring (C)

- Insulates frames from conductive floors, protects floors and prevents vibrations from being transmitted.

Material: PUR; resistant to oils and organic solvents

Color: natural

Shore hardness A: 70–80

### Potentialfix (D)

- For defined grounding of surface elements such as side panels.

### Conductive mat insert (E)

- To protect ESD-sensitive components
- To create a safe conductive connection, e.g., to ESD material shelves, we recommend using adhesive copper tape.
- Bleeder resistance  $R_{gp}/R_{pp} = 10^4 \dots 10^9 \Omega$  (DIN EN 61340-5-1)

Material: natural rubber

Thickness: 2 mm

### Wrist band (F)

- Wrist band (F) with connection piece (G) for defined grounding of people and protection of ESD-sensitive components

Required accessories: M6 T-nuts for 10 mm slot