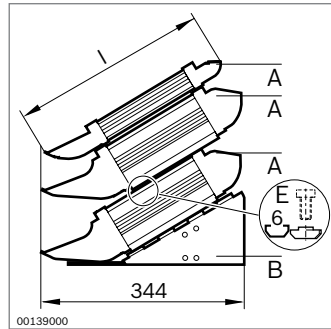


00127270



00139000

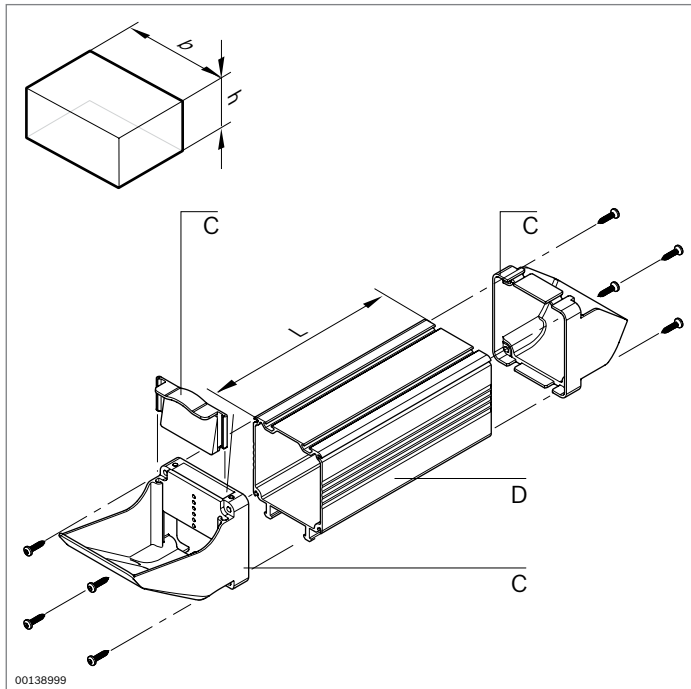
Vario grab containers

- ▶ Small parts such as nuts and screws placed within easy reach on the workstation
- ▶ Quick and secure grabbing due to ergonomic grab ledge design based on MTM (Method of Time Measurement)
- ▶ Sturdy, compact stacking for reduced space requirements
- ▶ Vario grab containers in three standard sizes (**A**)
- ▶ Assembly elements for custom configurations (aluminum material chute (**D**) + plastic grab ledge and refill end-pieces (**C**)) for varying volumes and quantities
- ▶ Grab container base (**B**) for ergonomically ideal arrangement of grab containers with short grab distances; mounted directly on work top or on strut profile
- ▶ For offsetting grab containers in a stack: M5 sliding block (6 mm groove) and DIN 7984 M5x6 screw



Grab ledge and refill end-piece material: ABS plastic; light gray (similar to RAL 7035)

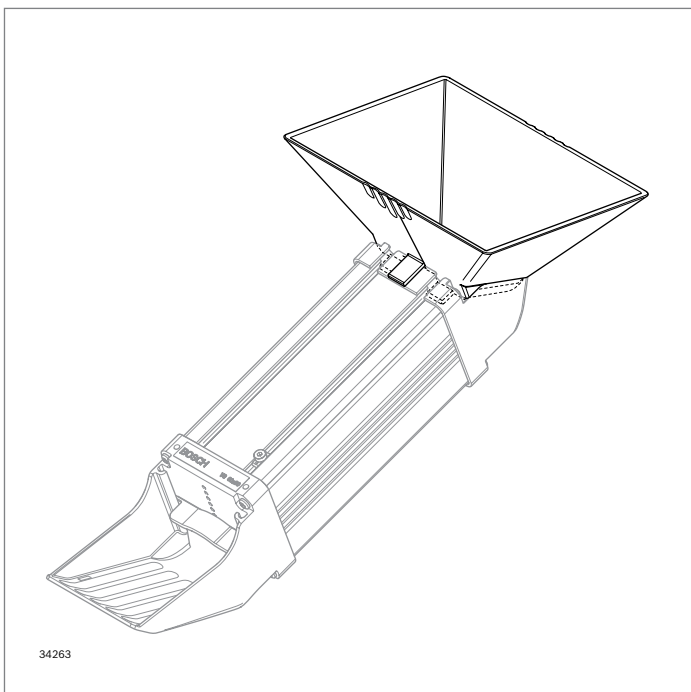
Material chute material: aluminum; anodized

Grab container base material: sheet steel; RAL 7035 light gray



00138999

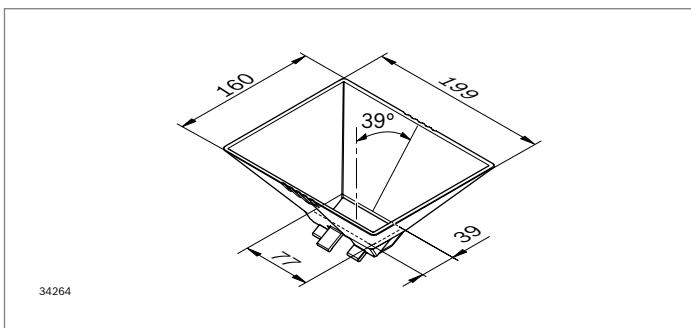
	b x h (mm)	b x h x l (mm)	L (mm)	Capacity (cm ³)	Weight (kg)			No.
A Vario grab containers		90x45x333		500	2.5			3 842 526 621
		90x90x375		1300	5.0			3 842 526 622
		180x90x375		2900	10.0			3 842 526 623
B Grab container base		90x149x315						3 842 526 660
		180x149x315						3 842 526 665
C Grab ledge and refill end-piece	90x45							3 842 526 626
	90x90							3 842 526 627
	180x90							3 842 526 628
D Material chute	90x45		50 ... 3000					3 842 993 071/L
			3000		3		3 842 526 671	
	90x90		50 ... 3000					3 842 993 072/L
			3000		3		3 842 526 672	
	180x90		50 ... 3000					3 842 993 073/L
			3000		3		3 842 526 673	
E M5 sliding block (6 mm groove)							100	3 842 523 142




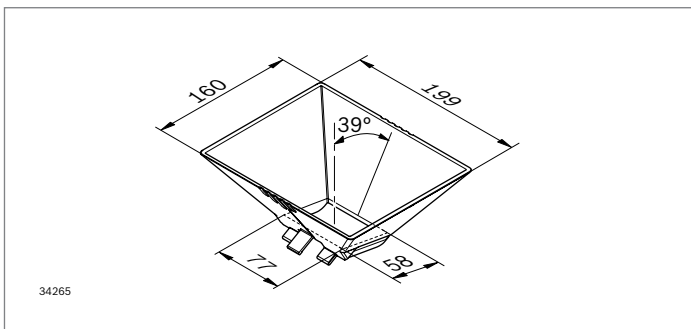
Hoppers


- ▶ Hopper for installing on Vario grab container
- ▶ Docking aids on the hopper make it easier to ergonomically fill the Vario grab container with small parts
- ▶ Available for sizes 90x45, 90x90 and 180x90
- ▶ Easy installation and removal

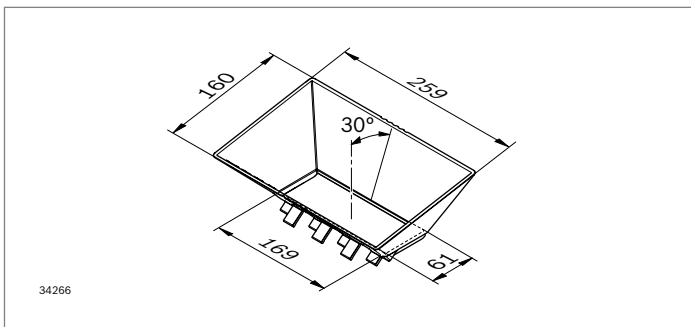
Material: ABS plastic; light gray (similar to RAL 7035)




		No.
90x45 hopper	1	3 842 557 433



		No.
90x90 hopper	1	3 842 557 434



		No.
180x90 hopper	1	3 842 557 435