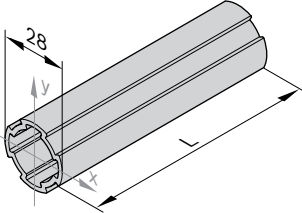





1

$A = 1,80 \text{ cm}^2$
 $I_x = 1,33 \text{ cm}^4$
 $I_y = 1,33 \text{ cm}^4$
 $W_x = 0,95 \text{ cm}^3$
 $W_y = 0,95 \text{ cm}^3$
 $m = 0,48 \text{ kg/m}$



00134985

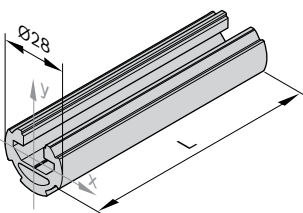

- ▶ D28L round tube with four interfaces for attaching EcoShape connectors

D28L round tube	L (mm)	No.
1 pc 	50 ... 5600	3 842 996 191/L
 50 pcs 	5600	3 842 541 211

Material: Aluminum; anodized




2

$A = 2,63 \text{ cm}^2$
 $I_x = 1,17 \text{ cm}^4$
 $I_y = 1,97 \text{ cm}^4$
 $W_x = 0,84 \text{ cm}^3$
 $W_y = 1,41 \text{ cm}^3$
 $m = 0,71 \text{ kg/m}$

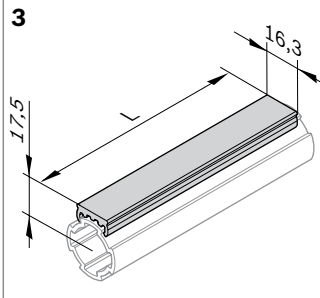
00134986

- ▶ D28L, N10 round tube with 10 mm slot for mounting accessories from the modular aluminum framing system
- ▶ Three interfaces for attaching EcoShape connectors

D28L, N10 round tube	L (mm)	No.
1 pc 	50 ... 5600	3 842 996 192/L
 20 pcs 	5600	3 842 541 213



Material: Aluminum; anodized

3



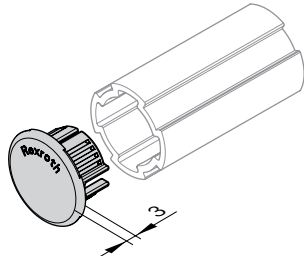
00134987

- ▶ Slide rail for creating a simple conveyor track or manual slide section by clipping the slide rail onto the D28L or D28L, N10 round tube

Slide rail	L (mm)	ESD		No.
	2000		10	3 842 541 196
	2000		10	3 842 548 117

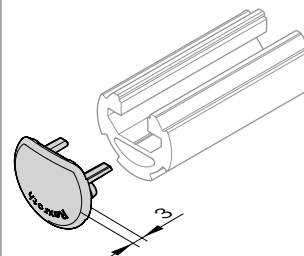
Material: PVC; gray
ESD: PVC (conductive); black

4






24132

5



24133

- ▶ Cap for D28L and D28L, N10 round tube

Cap	ESD		No.
4 D28L		20	3 842 548 129
5 D28L, N10		20	3 842 548 130

Material: PA66 (conductive); black