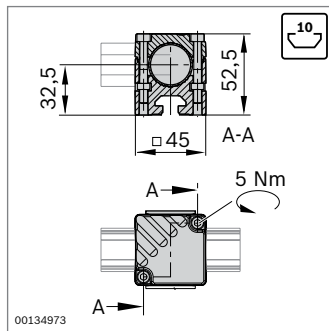
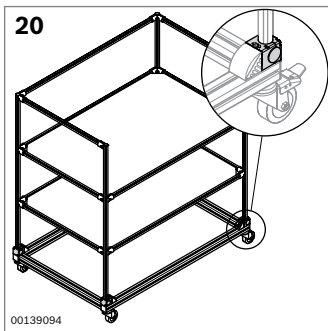
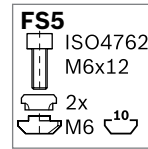
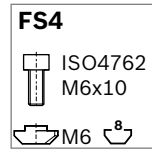


► N8, N10 adapter for connecting an MGE strut profile (8 mm, 10 mm slots)

N8, N10 adapter	ESD	No.	FS
		20	3 842 543 272 FS4, FS5

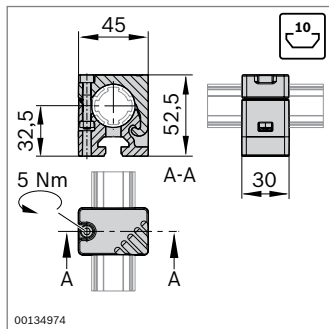
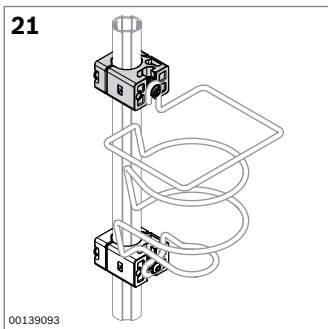
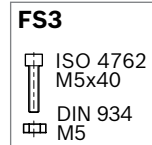
Material: diecast zinc  
 Scope of delivery: includes fastening material (FS)



► N10/45 adapter for connecting D28L or D28L, N10 round tubes to profiles with a 10 mm slot

N10/45 adapter	ESD	No.	FS
		20	3 842 541 187 2x FS3

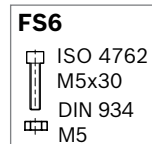
Material: Adapter: diecast zinc  
 Cap: PE  
 Scope of delivery: includes cap, fastening material (FS)

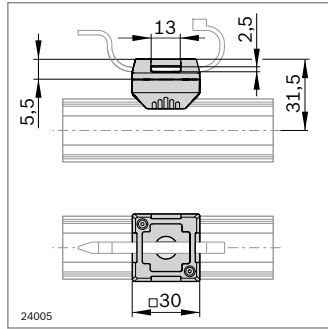
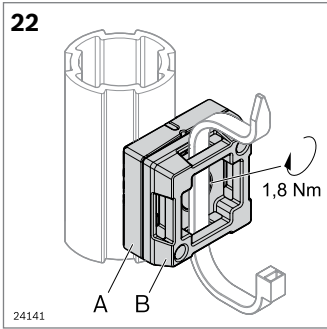


► N10/30 adapter for mounting light accessories such as a bottle holder to the D28L round tube

N10/30 adapter	ESD	No.	FS
		20	3 842 541 190 FS6

Material: diecast zinc  
 Scope of delivery: includes fastening material (FS)

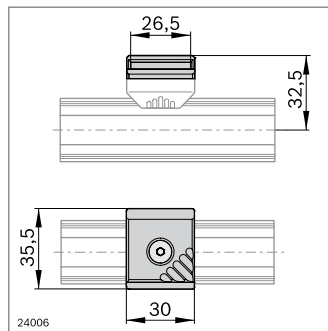
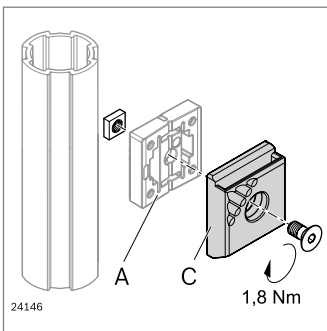
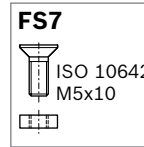




► For attaching cable fasteners

D28L adapter mount	ESD	No.	FS
A + B	20	<b>3 842 548 120</b>	FS7

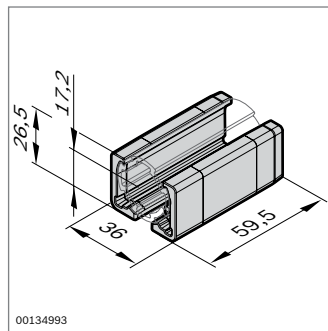
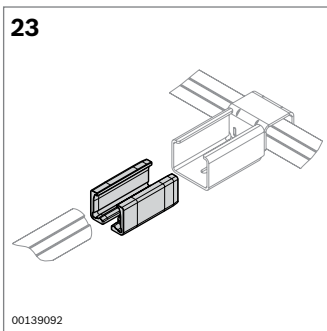
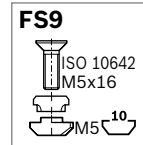
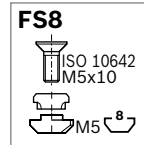
Material: PA66 (conductive); black  
 Scope of delivery: includes fastening material (FS)



► For attaching containers using the container mount

Container mount	ESD	No.	FS
C	10	<b>3 842 544 797</b>	FS8, FS9

Material: PA66 (conductive); black  
 Scope of delivery: includes fastening material (FS)

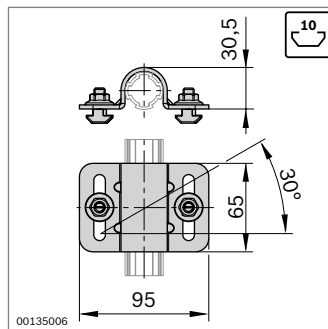
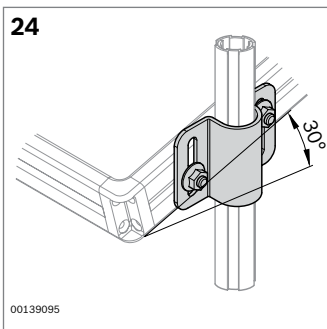


► XLean adapter for combination with XLean.

The XLean adapter connects the D28L round tube to the XLean rail holder (see page 97)

XLean adapter	ESD	No.
	20	<b>3 842 541 296</b>

Material: PA66 (conductive); black



► D28L, N10 tube clip for fastening material shelves with a 10 mm slot to the D28L round tube; oblique positioning up to 30 degrees is possible

D28L, N10 tube clip	ESD	No.	FS
	20	<b>3 842 541 193</b>	2x FS10

Material: steel; galvanized  
 Scope of delivery: includes fastening material (FS)

