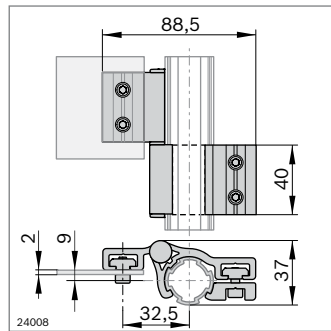
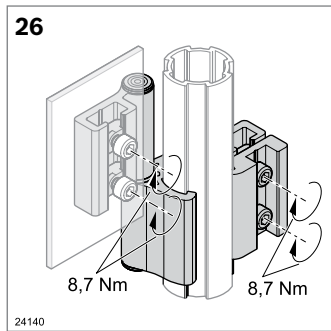
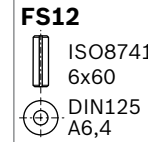
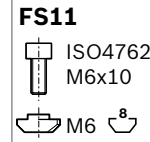


- ▶ Opening angle: 180°
- ▶ For mounting D28L round tube

D28L/D28L hinge	ESD	No.	FS
		2	3 842 548 126 4xFS11, FS12

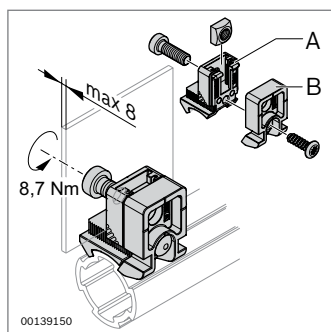
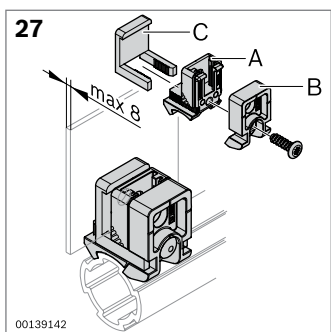
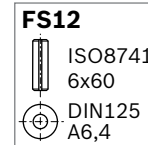
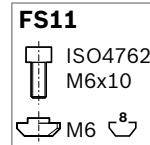
Material: aluminum
 Scope of delivery: includes fastening material (FS)



- ▶ Opening angle: 180°
- ▶ For mounting surface elements

D28L/- hinge	ESD	No.	FS
		2	3 842 548 127 2x FS11, FS12

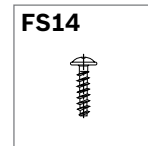
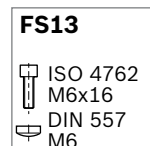
Material: aluminum
 Scope of delivery: includes fastening material (FS)



- ▶ Plastic Variofix block for fastening surface elements with snap-in clips or a screw
- ▶ Variofix remover for releasing the snap-in clip (see MGE 13.2)

Variofix block (PA)	No.	FS
A + B	20	3 842 543 311 FS13, FS14

Material: PA66 (conductive); black
 Scope of delivery: includes fastening material (FS)



Snap-in clip	No.
C	10 3 842 184 738

Material: PA6; transparent