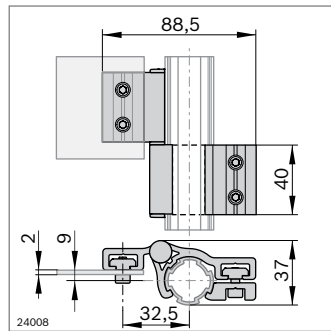
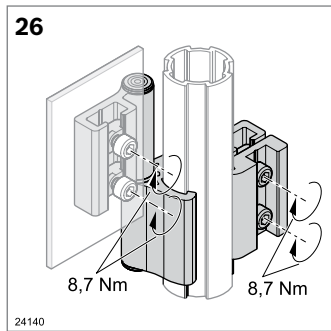
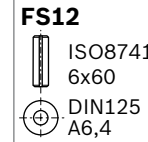
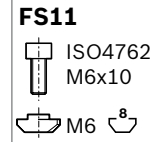


- ▶ Opening angle: 180°
- ▶ For mounting D28L round tube

D28L/D28L hinge	ESD	No.	FS
		2	3 842 548 126 4xFS11, FS12

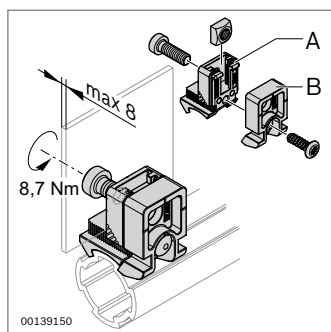
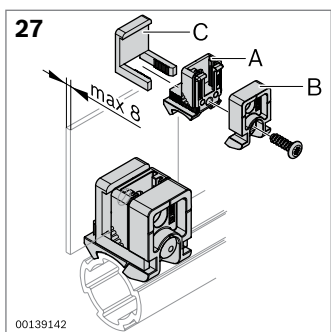
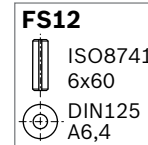
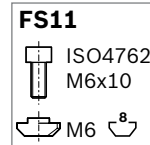
Material: aluminum
 Scope of delivery: includes fastening material (FS)



- ▶ Opening angle: 180°
- ▶ For mounting surface elements

D28L/- hinge	ESD	No.	FS
		2	3 842 548 127 2x FS11, FS12

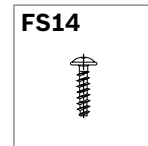
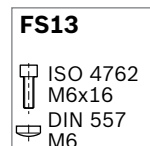
Material: aluminum
 Scope of delivery: includes fastening material (FS)



- ▶ Plastic Variofix block for fastening surface elements with snap-in clips or a screw
- ▶ Variofix remover for releasing the snap-in clip (see MGE 13.2)

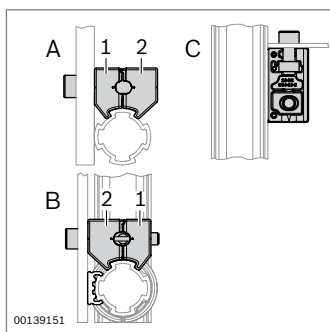
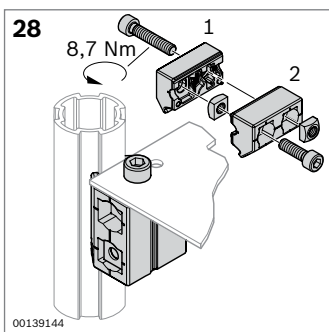
Variofix block (PA)	No.	FS
A + B	20	3 842 543 311 FS13, FS14

Material: PA66 (conductive); black
 Scope of delivery: includes fastening material (FS)



Snap-in clip	No.
C	10 3 842 184 738

Material: PA6; transparent



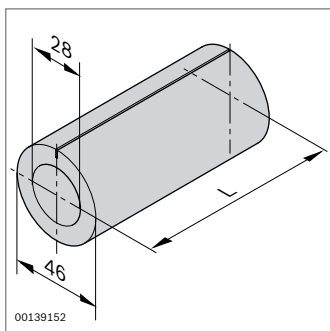
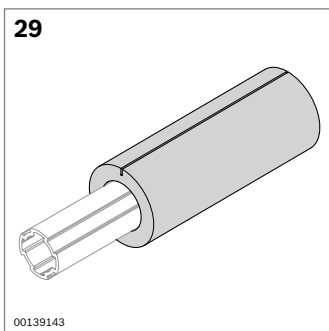
- ▶ Diecast zinc Variofix block for fastening surface elements
- ▶ Three arrangements possible (“A”, “B”, “C”)

Variofix block (Zn)	ESD	No.	FS
	20	3 842 543 494	FS15

Material: diecast zinc
 Scope of delivery includes fastening material (FS)

FS15

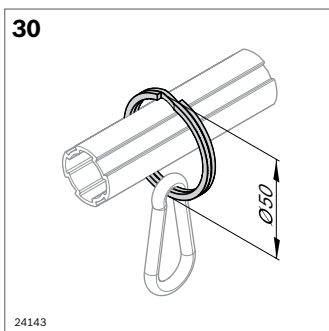
- ISO 4762 M6x22
- ISO 4762 M6x30
- 2x DIN 557 M6



- ▶ Impact protector for D28 and D28L round tubes

Impact protector	L (mm)	No.
	2000 10	3 842 544 637

Material: PE-LD; gray



- ▶ For designing simple tool holders

D50 ring	No.
	3 842 548 131

Material: steel; nickel-plated

Spring hook	No.
	0 842 901 309

Material: steel; galvanized