

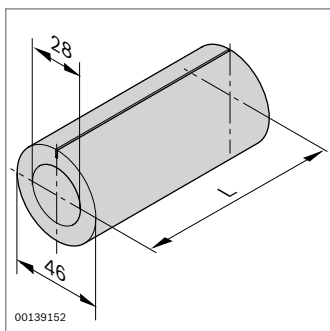
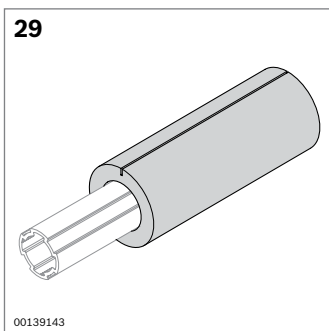
- ▶ Diecast zinc Variofix block for fastening surface elements
- ▶ Three arrangements possible (“A”, “B”, “C”)

Variofix block (Zn)	ESD	No.	FS
	20	3 842 543 494	FS15

Material: diecast zinc
 Scope of delivery includes fastening material (FS)

FS15

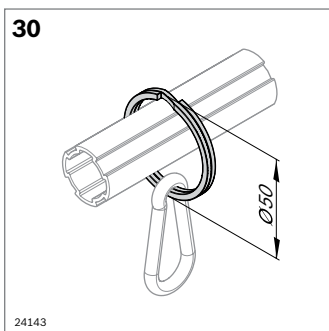
ISO 4762	M6x22
ISO 4762	M6x30
2x DIN 557	M6



- ▶ Impact protector for D28 and D28L round tubes

Impact protector	L (mm)	No.
	2000 10	3 842 544 637

Material: PE-LD; gray



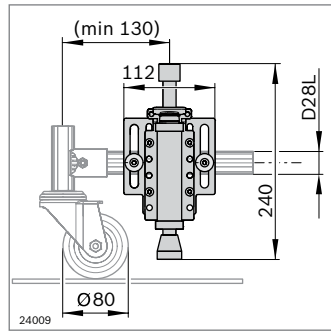
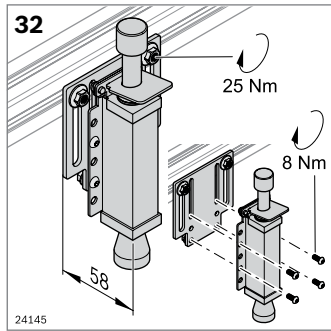
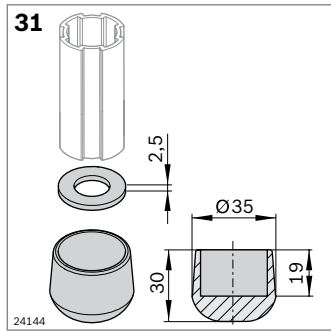
- ▶ For designing simple tool holders

D50 ring	No.
	3 842 548 131

Material: steel; nickel-plated

Spring hook	No.
	0 842 901 309

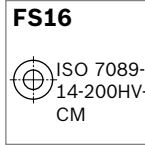
Material: steel; galvanized



- Non-slip design of flow racks and stands

D28 rubber foot	ESD	No.	FS
		20	3 842 548 128 FS16

Material: NR/SBR (conductive); black



- To stop material shuttles ergonomically at just one point
- All-purpose option for attachment to different round tubes and profile cross-sections
- Clamping travel stopper: 34 mm

D28L, N10 stopper	No.	FS
	3 842 548 132	4x FS17, 2x FS18

Material: Stopper: stainless steel; EPDM
Attachment plate: aluminum

Scope of delivery: includes fastening material (FS)

