

### Standard logistics material shuttle



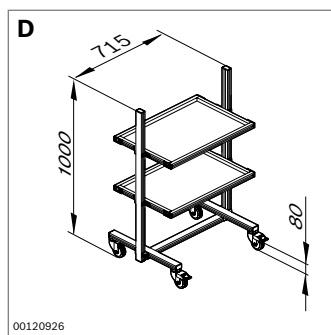
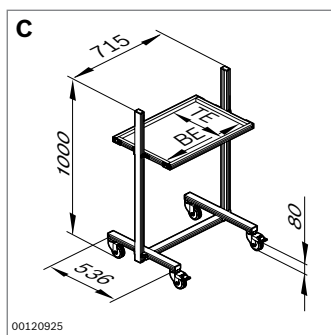
#### Basic logistics material shuttle

- ▶ For heavy-duty use in transport and material supply
- ▶ Adjustable material shelf height, offset, and tilt to ensure ergonomic grabbing
- ▶ Available as ESD-conductive version
- ▶ Basic material shelves Basic (see pages 26, 179), plate: PP, SB (ESD)
- ▶ Castors: ball bearing, with locking mechanism

Accessories:

- ▶ Material shelf (see pages 26, 179)
- ▶ Lettering clip for material shelves (see pages 27, 179)
- ▶ Swivel fastening for tilting the material shelf (see page 179)

	H (mm)	BE (mm)	TE (mm)	ESD	No.
<b>A</b> Basic logistics material shuttle (1 shelf)	1000	610	410		<b>3 842 515 483</b>
	1000	610	410	⚡	<b>3 842 515 484</b>
<b>B</b> Basic logistics material shuttle (3 shelves)	1400	610	410		<b>3 842 508 181</b>
	1400	610	410	⚡	<b>3 842 508 182</b>



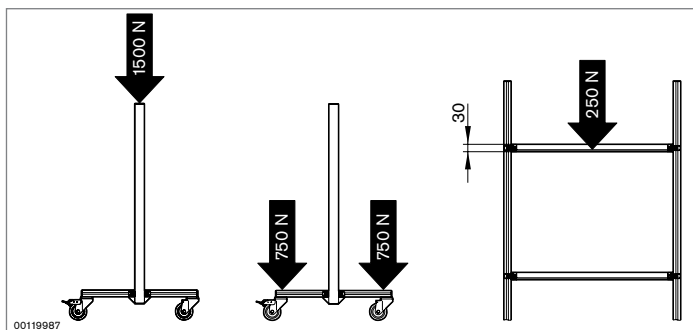
### Economic logistics material shuttle

- ▶ For medium-duty applications
- ▶ Adjustable material shelf height, offset, and tilt to ensure ergonomic grabbing
- ▶ Available as ESD-conductive version
- ▶ Economic material shelves (see pages 26, 178), plate: PP, SB (ESD)
- ▶ Castors: rubber tires, with locking mechanism

Accessories:

- ▶ Material shelf (see pages 26, 178)
- ▶ Lettering clip for material shelves (see pages 27, 178)
- ▶ Swivel fastening for tilting the material shelf (see page 178)

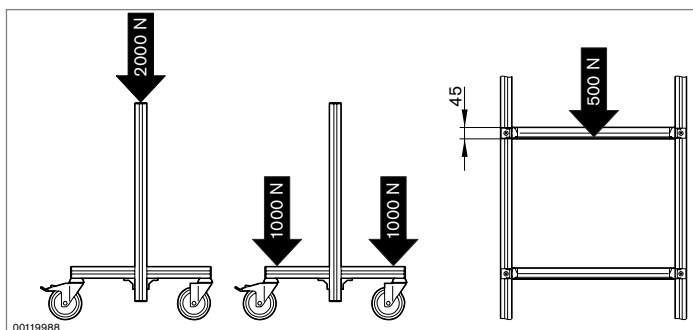
	H (mm)	BE (mm)	TE (mm)	ESD	No.
<b>C</b> Economic logistics material shuttle (1 shelf)	1000	610	410		<b>3 842 515 481</b>
	1000	610	410	⚡	<b>3 842 518 120</b>
<b>D</b> Economic logistics material shuttle (2 shelves)	1000	610	410		<b>3 842 515 482</b>
	1000	610	410	⚡	<b>3 842 518 121</b>



**Standard material shuttles**

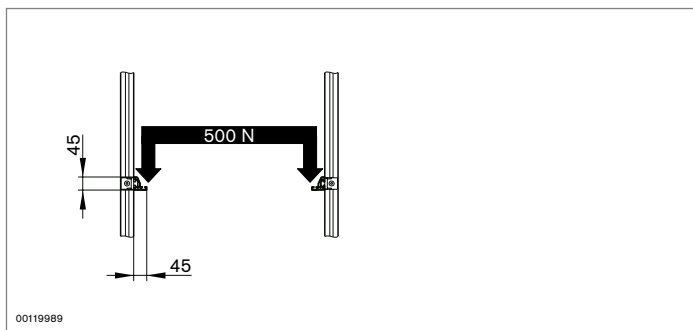
**Economic logistics material shuttle**

- 3 842 515 481** (see page 148)
- 3 842 518 120** (see page 148)
- 3 842 515 482** (see page 148)
- 3 842 518 121** (see page 148)



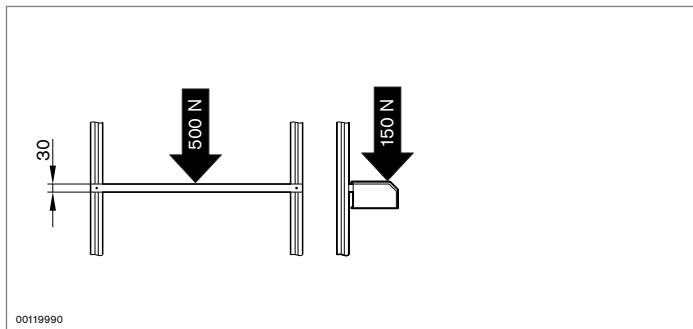
**Basic logistics material shuttle**

- 3 842 515 483** (see page 148)
- 3 842 515 484** (see page 148)
- 3 842 508 181** (see page 148)
- 3 842 508 182** (see page 148)



**Material shuttle with angle profile**

(see page 149)



**Material shuttle with suspension profile**

(see page 149)