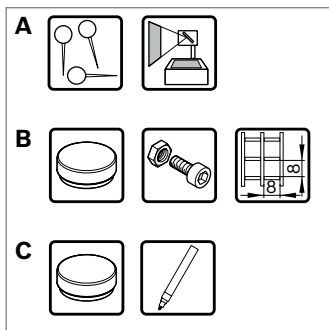


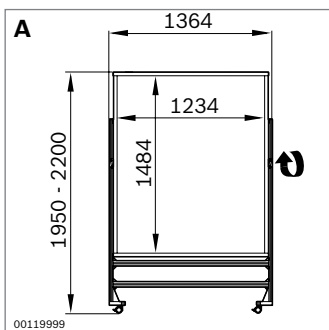


00120888

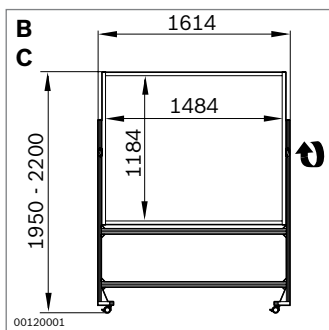


Mobile infoboard

- ▶ Tilting work surface for good ergonomic posture
- ▶ With locking rollers



00119999

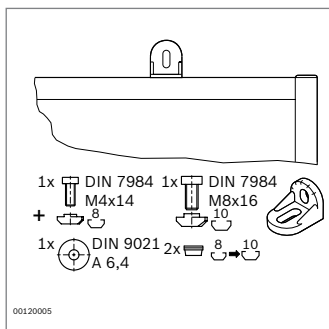


00120001

	h x b (mm)	No.
A	Mobile infoboard – 1484x1234 pin	3 842 515 773
B	Mobile infoboard – 1184x1484 magnet	3 842 516 407
C	Mobile infoboard – 1184x1484 magnet marker	3 842 515 774



00121509



00120005

Infoboard accessories



		ESD No.
Roller set for Economic infoboard	Set	3 842 536 129
Bracket for Wall infoboard		3 842 515 547