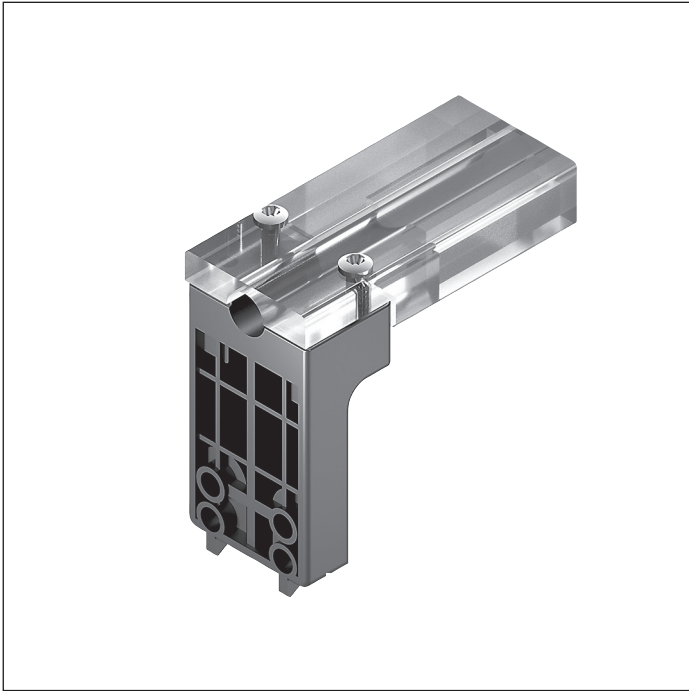
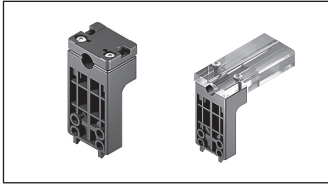


SH 2/... switch bracket

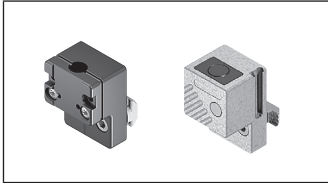


There are five types of sensor switch brackets available for use in the TS *2plus* transfer system.



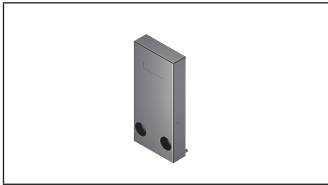
SH 2/S, SH 2/ST, SH 2/S-H switch bracket

8-90



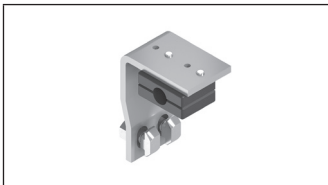
SH 2/U, SH 2/UV, SH 2/U-H switch bracket

8-96



SH 2/SF switch bracket

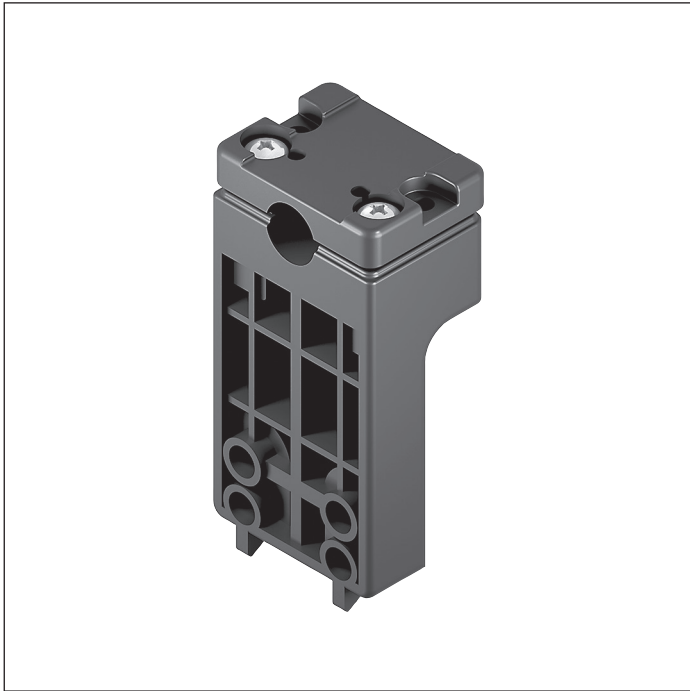
8-102



SH 2/EP switch bracket

8-104

SH 2/S switch bracket



- ▶ For fastening a sensor
- ▶ Suitable for lateral sensing of the workpiece pallet position
- ▶ Mounted in the upper groove on the side of a conveyor section

The switch bracket can be used to fix an M12x1 sensor in place for lateral sensing of the workpiece pallet position.

Accessories

Required accessories

- ▶ M12x1 sensor with $S_N \geq 4$ mm rated sensing range, length 50 mm, see p. 8-108

Delivery notes

Scope of delivery

- ▶ Incl. all fastening material to mount on ST 2 conveyor sections

Condition on delivery

- ▶ Not assembled

Ordering information

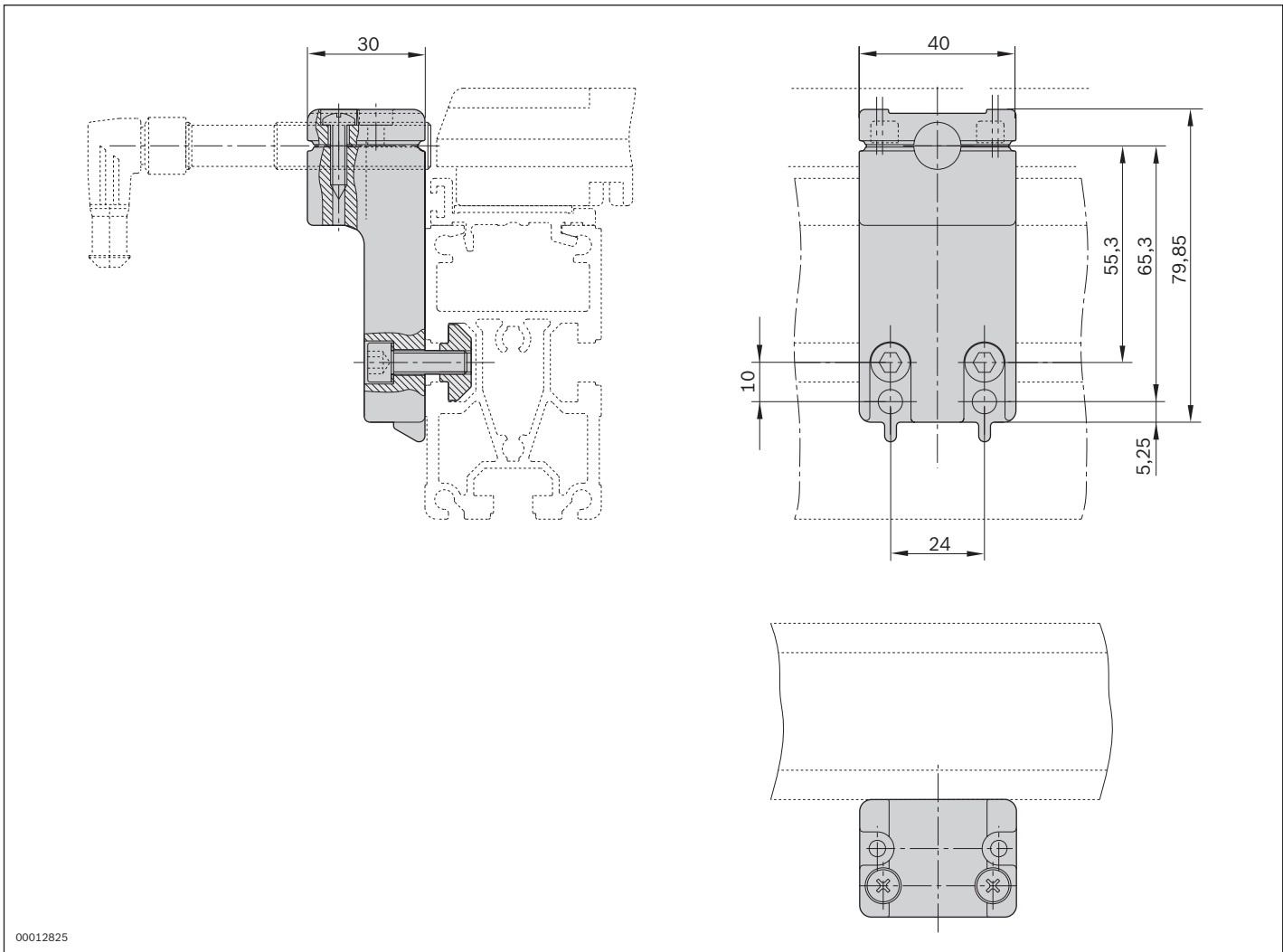
Product designation	Material number
SH 2/S switch bracket	3842168830

Technical data

Material number	3842168830
Features	
Material specification	Housing: PA 6; black Switch cover: PA 6; black

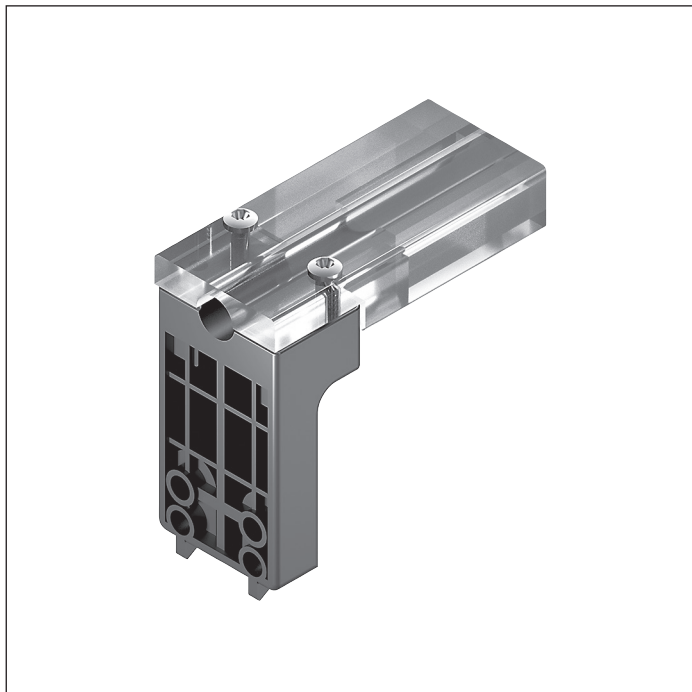
Dimensions			
Length	l	mm	30

Dimensions



00012825

SH 2/ST switch bracket



- ▶ For fastening a sensor
- ▶ Switch cover to protect switches and cables
- ▶ Suitable for lateral sensing of the workpiece pallet position
- ▶ Mounted in the upper groove on the side of a conveyor section

The switch bracket can be used to fix an M12x1 sensor in place for lateral sensing of the workpiece pallet position.

Accessories

Required accessories

- ▶ M12x1 sensor with $S_N \geq 4$ mm rated sensing range, length 70 mm, see p. 8-108

Delivery notes

Scope of delivery

- ▶ Incl. fastening material

Condition on delivery

- ▶ Not assembled

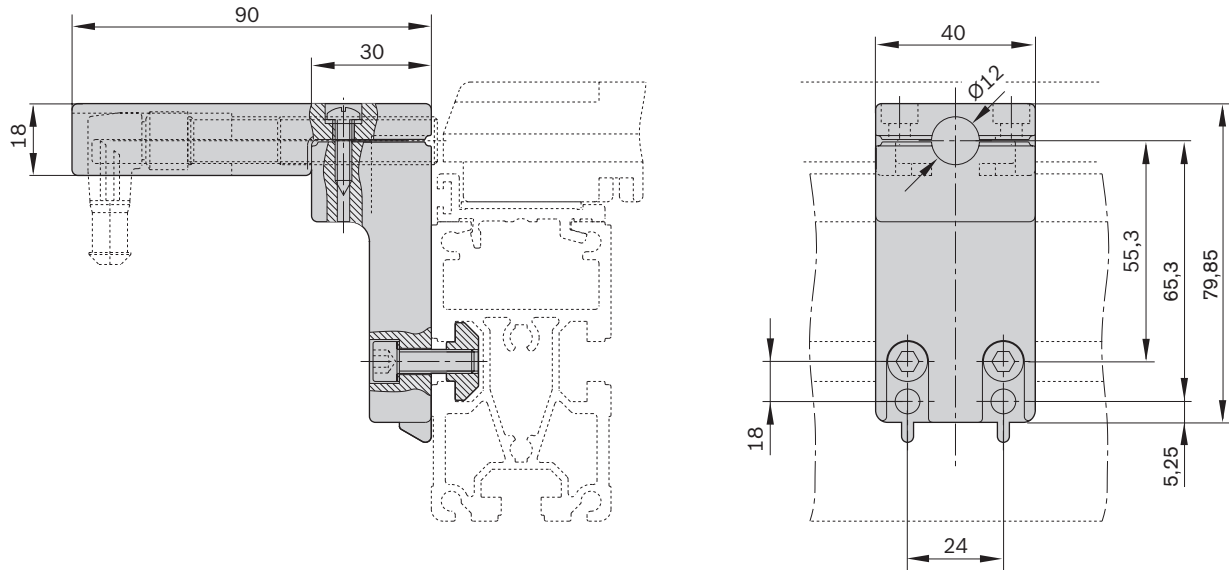
Ordering information

Product designation	Material number
SH 2/ST switch bracket	3842168850

Technical data

Material number	3842168850		
Features			
Material specification	Housing: PA 6; black Switch cover: ABS; transparent		
Dimensions			
Length	l	mm	90

Dimensions



00012826

SH 2/S-H switch bracket



- ▶ For fastening a sensor
- ▶ Especially sturdy metal design
- ▶ Able to bear loads of up to 100 kg
- ▶ Centering lugs for pre-positioning and quick assembly in the profile groove
- ▶ Integrated stop for 12 mm sensor
- ▶ Integrated cable guide
- ▶ Mounting on the outer profile groove of the section profile.

The switch bracket can be used to fix an M12x1 sensor in place for lateral sensing of the workpiece pallet position.

Accessories

Required accessories

- ▶ M12x1 sensor with $S_N = 7$ mm rated sensing range, see p. 8-108

Delivery notes

Scope of delivery

- ▶ Incl. fastening material

Condition on delivery

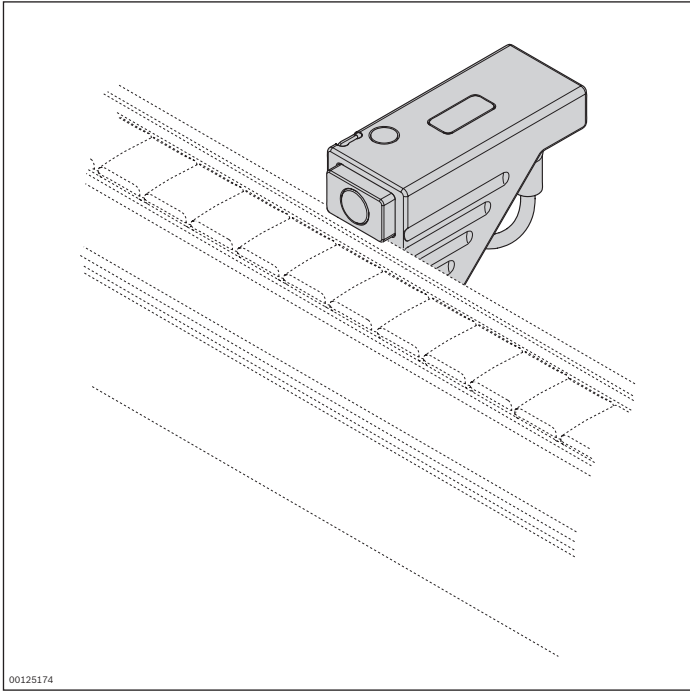
- ▶ Not assembled

Ordering information

Product designation	Material number
SH 2/S-H switch bracket	3842537280

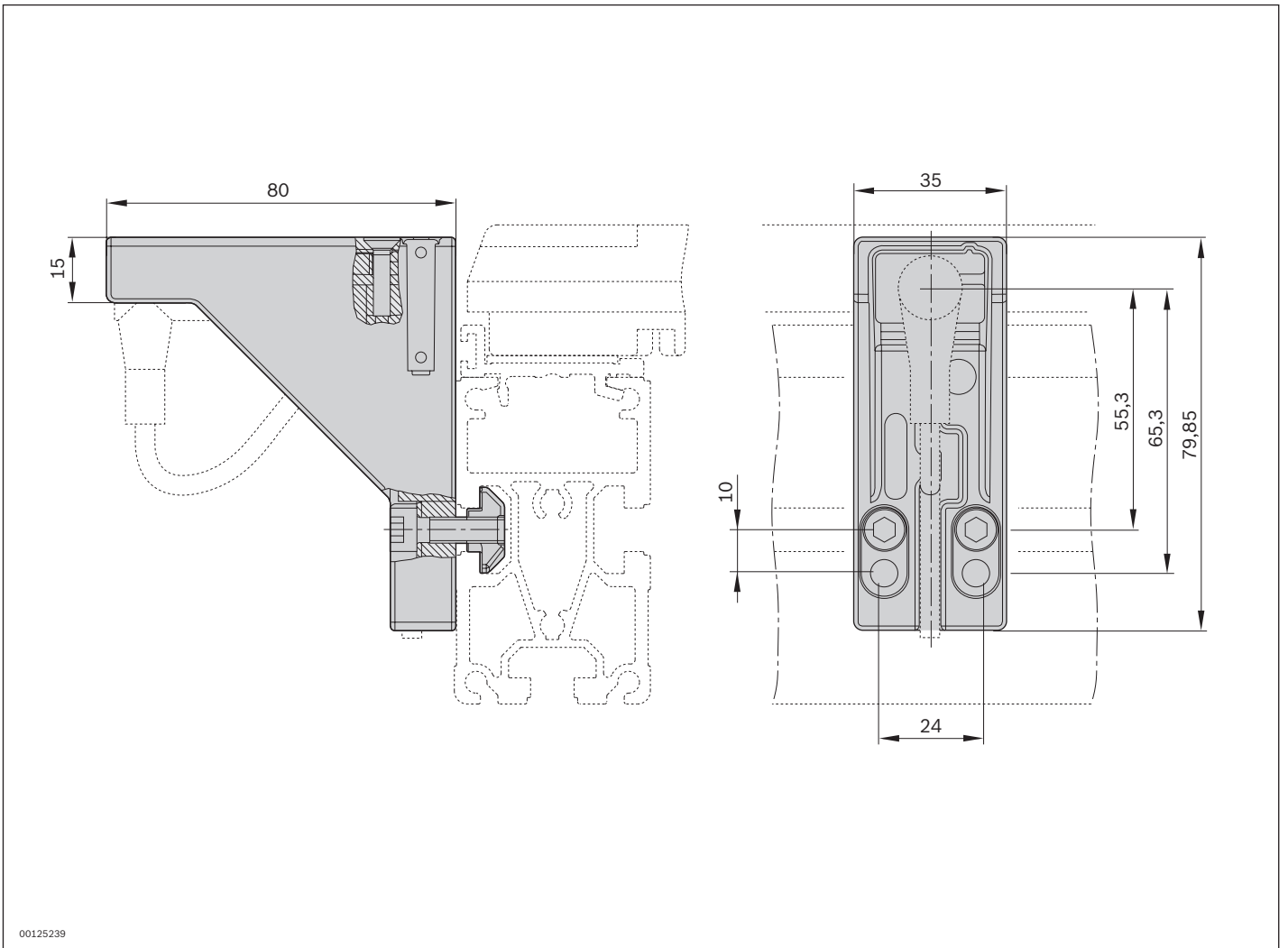
Technical data

Material number	3842537280
Features	
Material specification	Die-cast aluminum



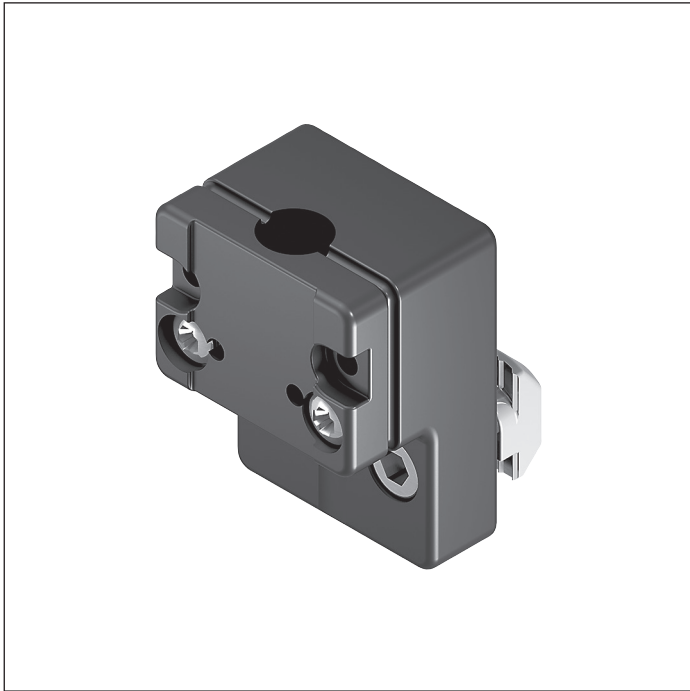
00125174

Dimensions



00125239

SH 2/U switch bracket



- ▶ For fastening a sensor
- ▶ Installation location in the upper groove on the side of a conveyor section
- ▶ For sensing of the workpiece pallet position from below

The switch bracket is used for fastening an M12x1 sensor for inquiry of the workpiece pallet position from below.

Accessories

Required accessories

- ▶ M12x1 sensor with $S_N = 4$ mm rated sensing range, see p. 8-108

Delivery notes

Scope of delivery

- ▶ Incl. fastening material

Condition on delivery

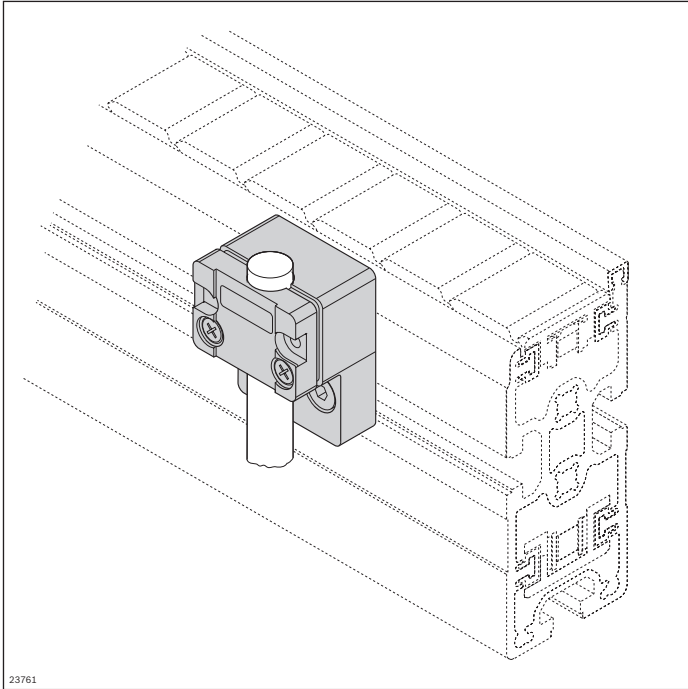
- ▶ Not assembled

Ordering information

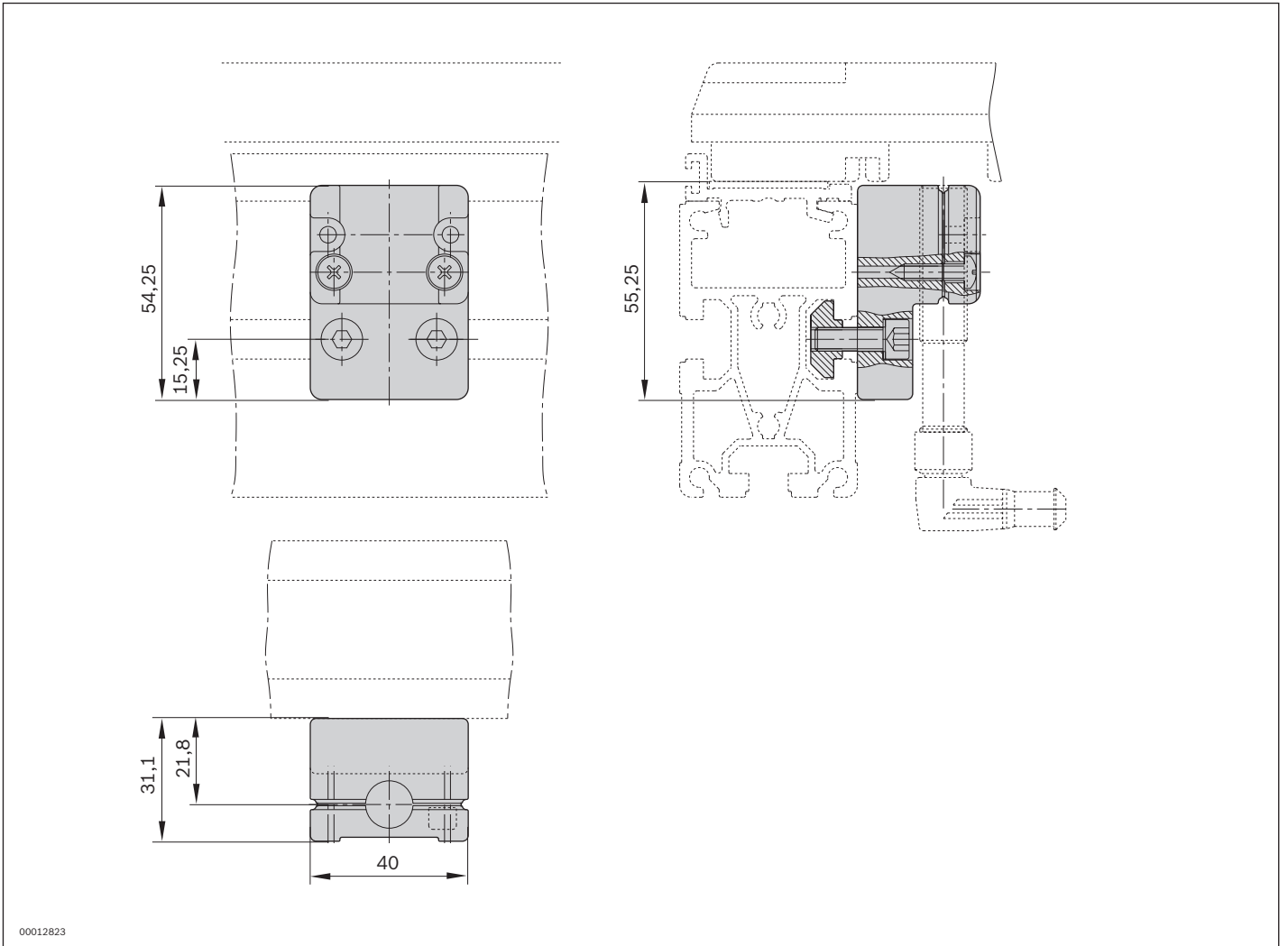
Product designation	Material number
SH 2/U switch bracket	3842168820

Technical data

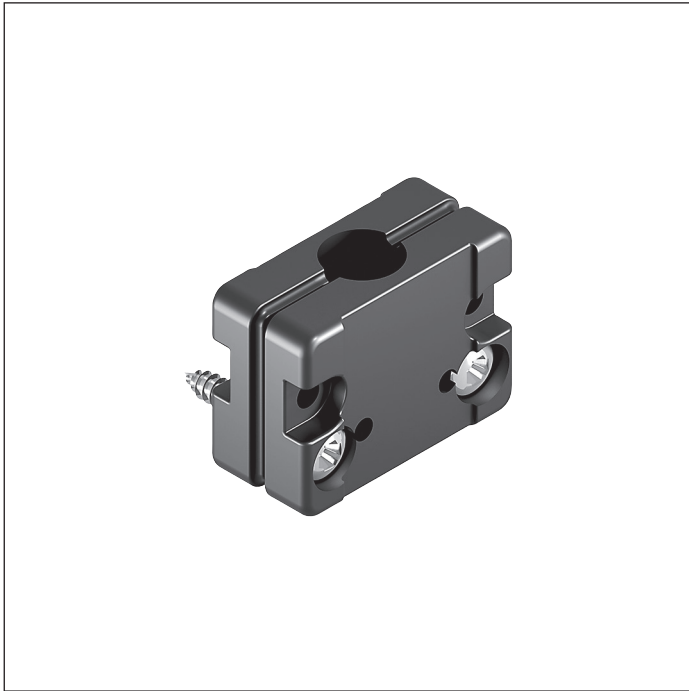
Material number	3842168820
Features	
Material specification	PA6



Dimensions



SH 2/UV switch bracket



- ▶ For fastening a sensor
- ▶ Installation location on the VE 2 stop gate
- ▶ For sensing of the workpiece pallet position from below

The switch bracket is used for fastening an M12x1 sensor for inquiry of the workpiece pallet position from below.

Accessories

Required accessories

- ▶ M12x1 sensor with $S_N = 4$ mm rated sensing range, see p. 8-108

Delivery notes

Scope of delivery

- ▶ Incl. fastening material

Condition on delivery

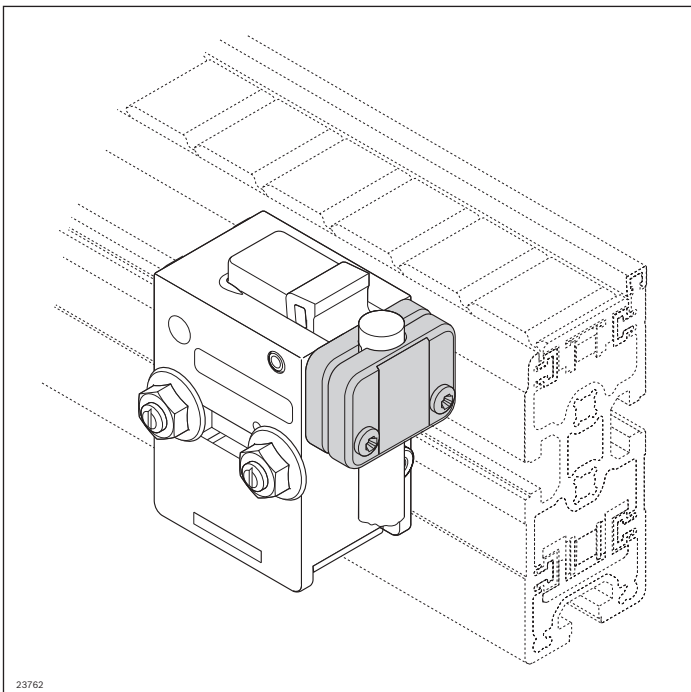
- ▶ Not assembled

Ordering information

Product designation	Material number
SH 2/UV switch bracket	3842168600

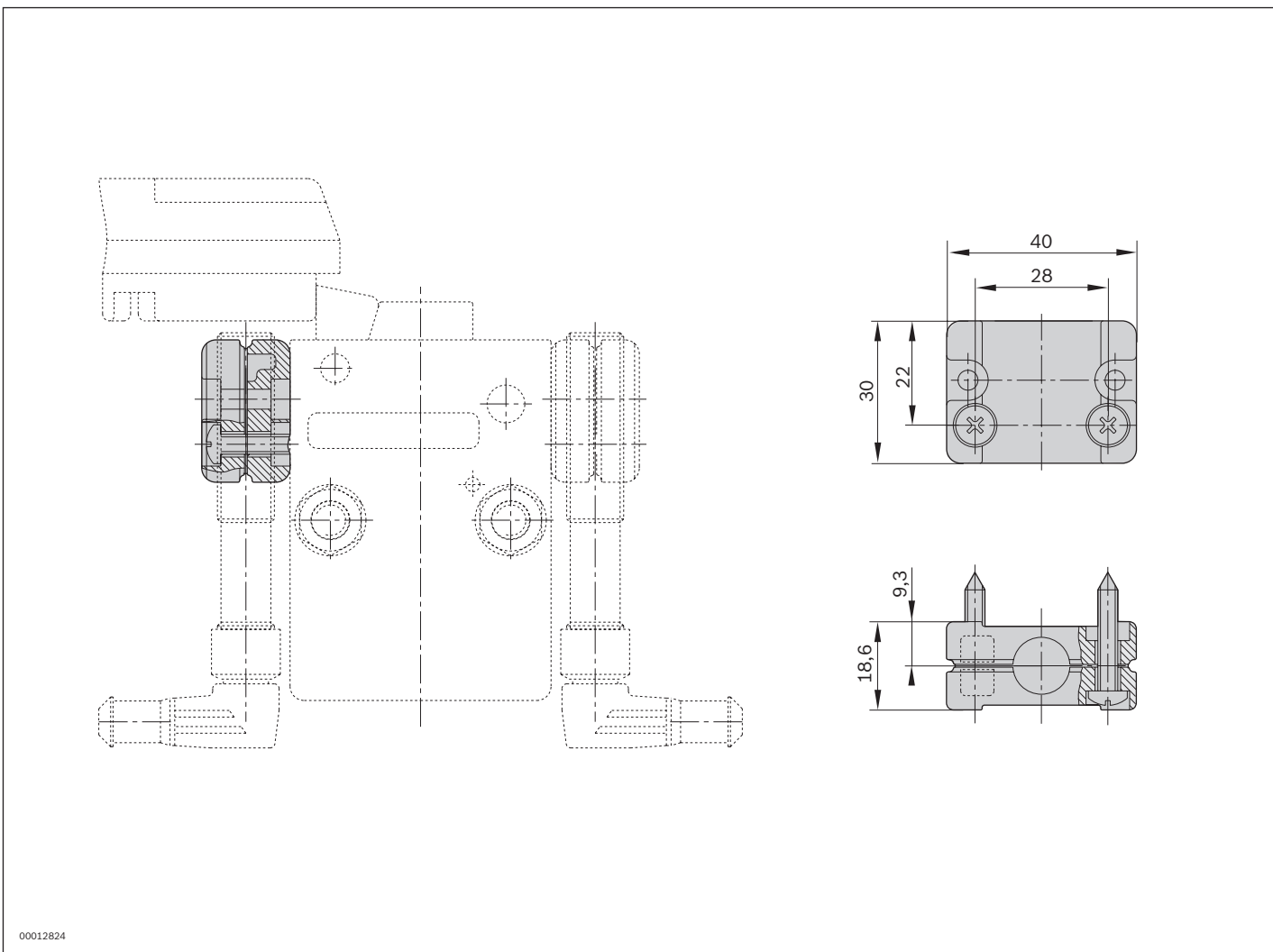
Technical data

Material number	3842168600
Features	
Material specification	PA6



23762

Dimensions



00012824

SH 2/U-H switch bracket



- ▶ For fastening a sensor
- ▶ For sensing the workpiece pallet position from below
- ▶ Especially sturdy metal design
- ▶ Able to bear loads of up to 100 kg
- ▶ Centering lugs for pre-positioning and quick assembly in the profile groove
- ▶ Installation location on the inner profile groove of the section profile
- ▶ Integrated stop for 12 mm sensor

The switch bracket is used for fastening an M12x1 sensor for detecting the workpiece pallet position from below.

Accessories

Required accessories

- ▶ M12x1 sensor with $S_N = 7$ mm rated sensing range, see p. 8-108

Delivery notes

Scope of delivery

- ▶ Incl. fastening material

Condition on delivery

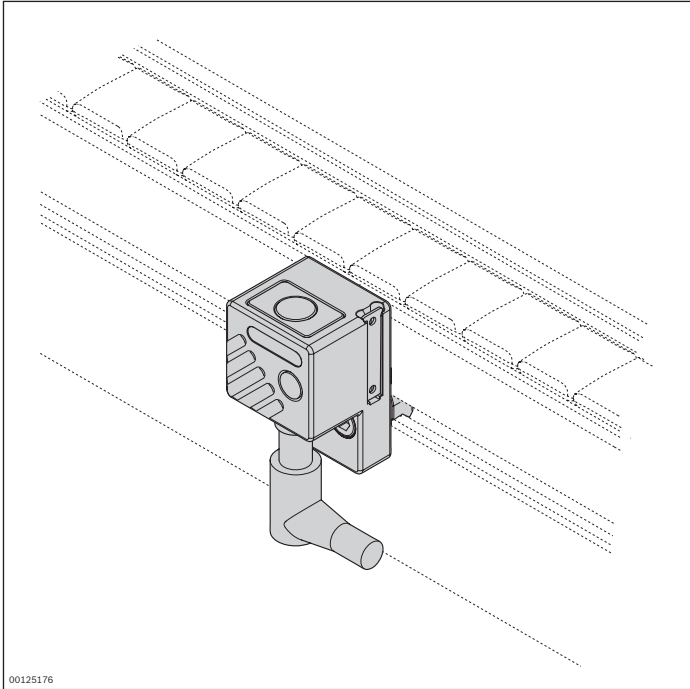
- ▶ Not assembled

Ordering information

Product designation	Material number
SH 2/U-H switch bracket	3842537289

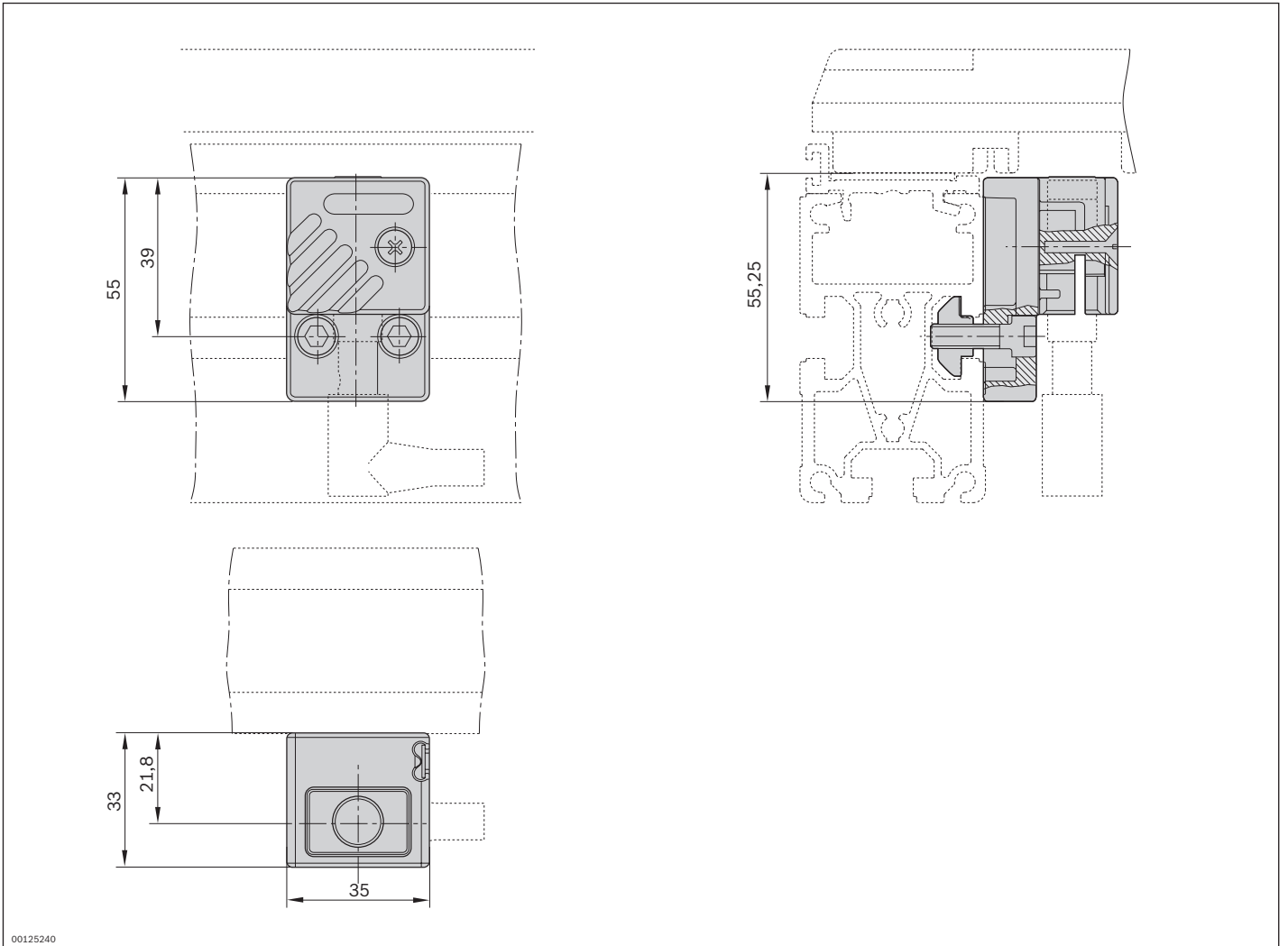
Technical data

Material number	3842537289
Features	
Material specification	Die-cast aluminum



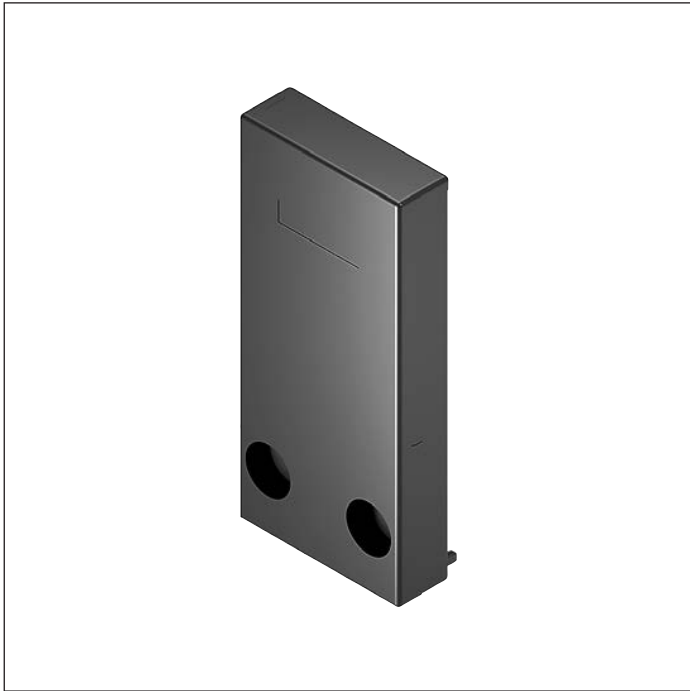
00125176

Dimensions



00125240

SH 2/SF switch bracket



- ▶ For fastening a sensor with special flat design
- ▶ Installation in the upper groove on the side of a conveyor section

The switch bracket is used for fastening a sensor with special flat design for lateral inquiry of the workpiece pallet position.

Note: Not suitable for use in heavy duty profiles and sections with a profile width of 50 mm, for example ST 2/C-H, ST 2/R-H, BS 2/R-H, BS-2/C-H

Accessories

Required accessories

- ▶ Sensor with special flat design, rated sensing range $S_N \leq 4$ mm, e.g., Balluff BES 516-347-SA-2-03

Delivery notes

Scope of delivery

- ▶ Incl. fastening material

Condition on delivery

- ▶ Not assembled

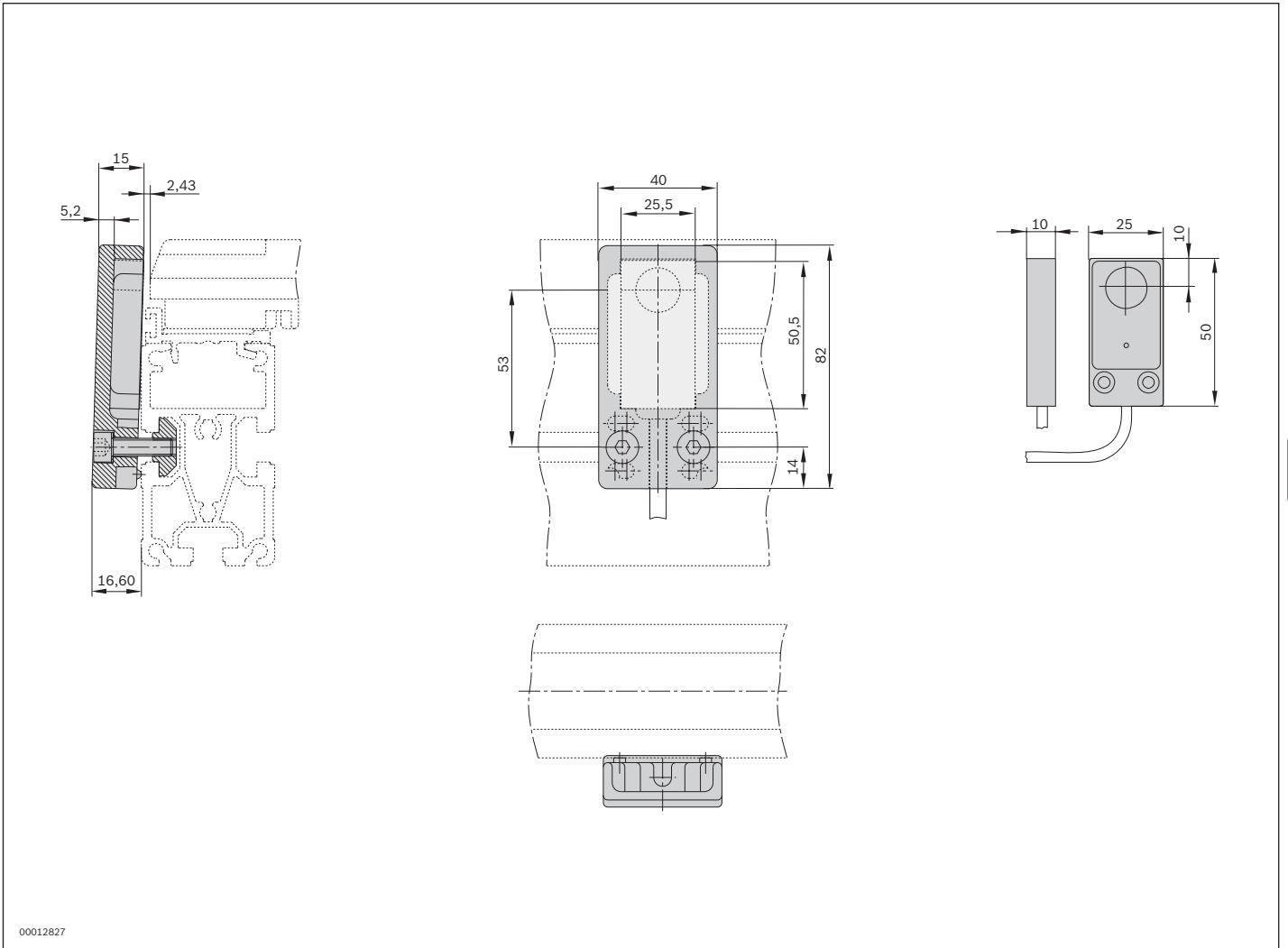
Ordering information

Product designation	Material number
SH 2/SF switch bracket	3842168840

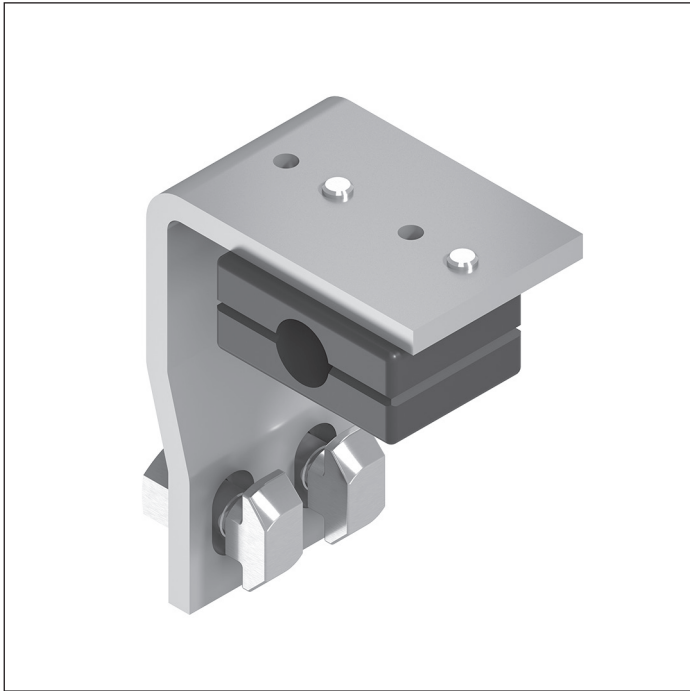
Technical data

Material number	3842168840
Features	
Material specification	PA6

Dimensions

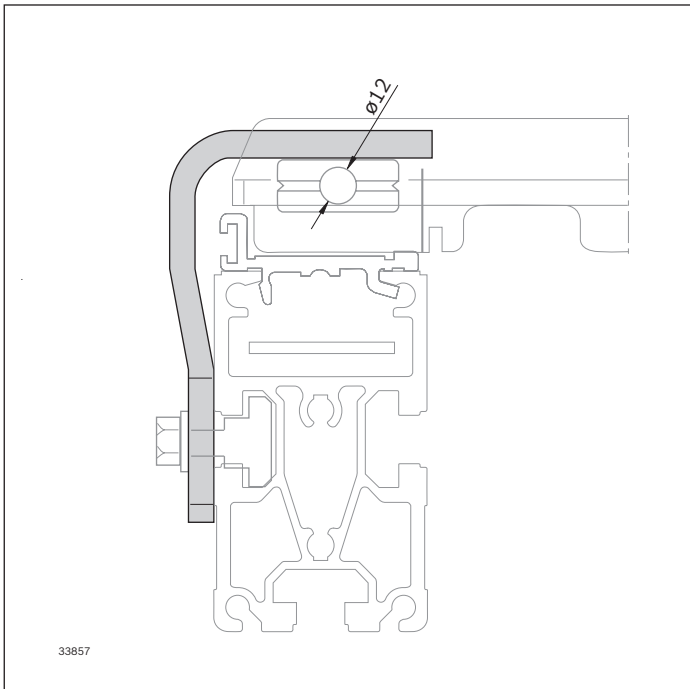


SH 2/EP switch bracket



- ▶ For fastening a sensor
- ▶ For sensing the workpiece carrier at the end of the line, not traversable
- ▶ Installation location on the inner or outer profile groove of the section profile

Ordering information



Product designation	Material number
SH 2/EP switch bracket	8981022903

Technical data

Material number	8981022903
Features	
Material specification	Steel; PA66

Dimensions

