

## Sensors



M12 and M8 inductive sensors with M12 or M8 connector for workpiece pallet detection, position sensing for lift/transverse units, positioning units, and rotate units.



**M12 inductive sensors with M12 connector**

**8-108**



**M12 inductive sensors with M8 connector**

**8-110**



**M8 inductive sensors with M8 connector**

**8-112**

## M12 sensors with M12x1 connector



Workpiece pallet position detection, lift/transverse unit,

lift position unit and lift transverse unit position detection.

### Accessories

#### Required accessories

- Switch bracket, see p. 8-90

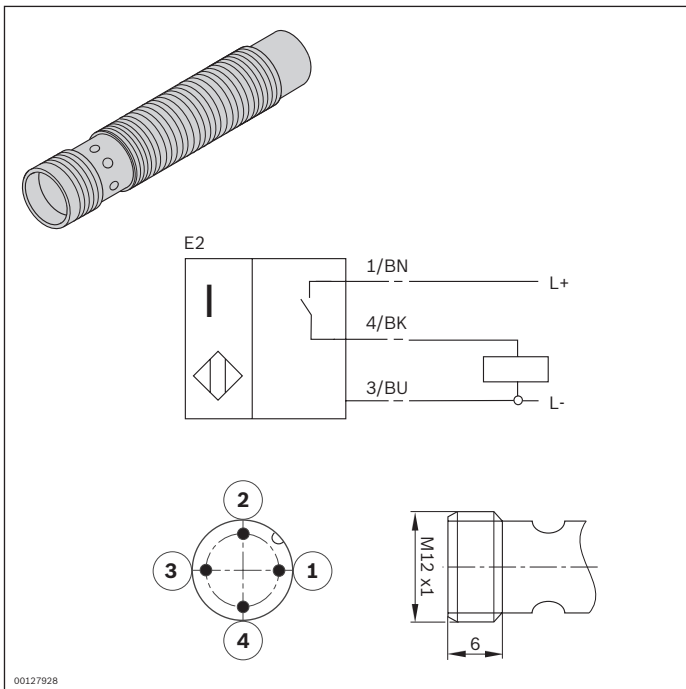
### Ordering information

Product designation	Material number
M12x50 sensor	3842557633
M12x45 sensor	3842549814
M12x70 sensor	3842501548

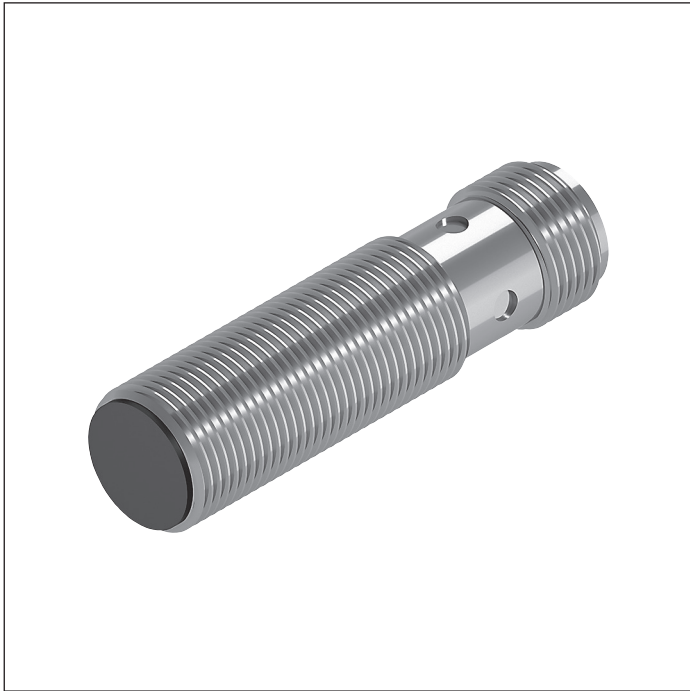
### Technical data

Material number			3842557633	3842549814	3842501548
<b>Features</b>					
IP rating			IP 68	IP 67	IP 68
Material specification			Housing: CuZn; active surface has nickel-free coating: LCP	Housing: CuZn; active surface has nickel-free coating: LCP	Housing: Stainless steel, rustless Active surface: LCP
Max. operating temperature	T	°C	-25 ... +70 °C	-25 ... +70 °C	-40 ... +85 °C
Dimensions		mm	M12 x 45	M12 x 45	M12 x 70
Connector			M12x1	M12x1	M12x1
<b>Additional information</b>					
Rated sensing range	S <sub>N</sub>	mm	8	4	4
Switching frequency		Hz	500	300	2500
Operating current		mA	200	200	200
Mechanical installation			Not flush	Flush	Not flush
Function indicator			LED	LED	LED
Switching output			PNP	PNP	PNP
Switching function			Normally open (NO)	Normally open (NO)	Normally open (NO)
Operating voltage		V DC	10 ... 30	10 ... 30	10 ... 30
Approvals			CE, UL, CSA, EAC	CE, UL, CSA	CE, UL, CSA, EAC
Conformity with standards			IEC 60947-5-2	IEC 60947-5-2	IEC 60947-5-2

### Circuit diagrams



## M12 sensors with M8x1 connector



Workpiece pallet position detection, lift/transverse unit,

lift position unit and lift transverse unit position detection.

### Accessories

#### Required accessories

- Switch bracket, see p. 8-90

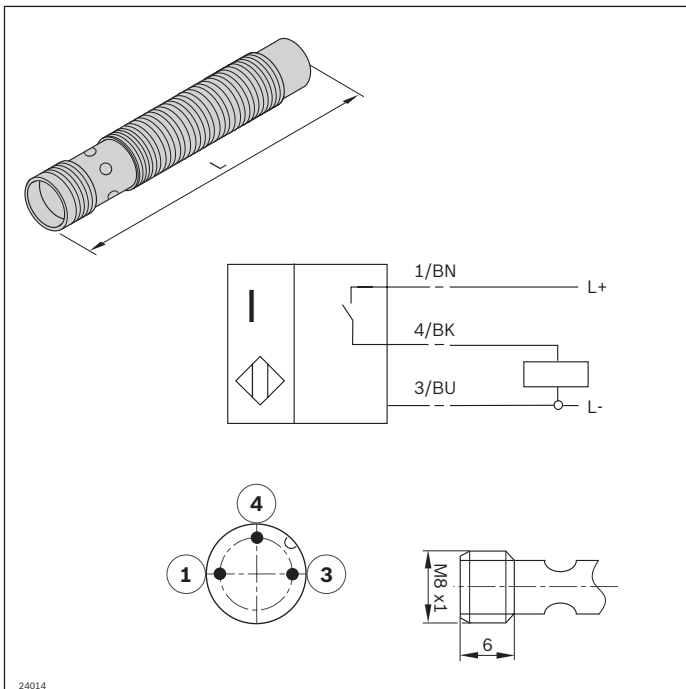
### Ordering information

Product designation	Material number
M12x44 sensor	3842549813
M12x67 sensor	3842549812
M12x44 sensor	3842549811

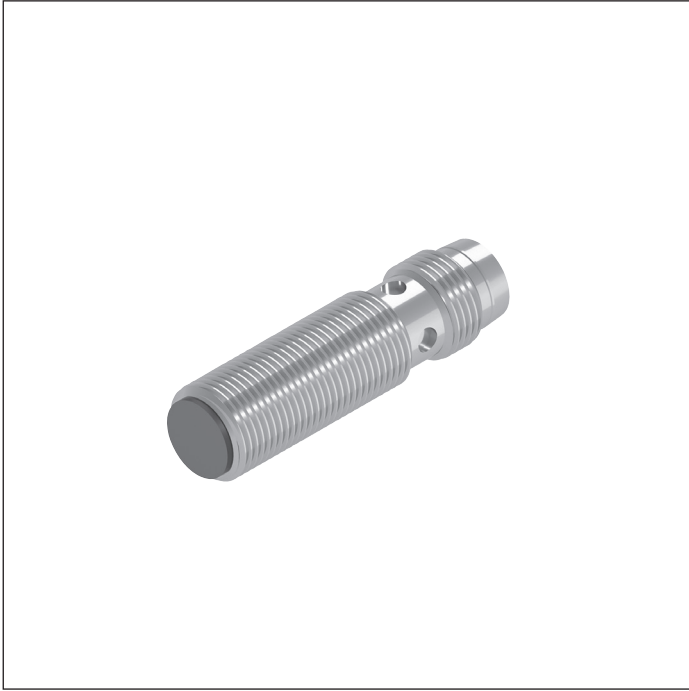
## Technical data

Material number			3842549813	3842549812	3842549811
<b>Features</b>					
IP rating			IP 67	IP 67	IP 67
Material specification			Housing: CuZn; active surface has nickel-free coating: PBT	Housing: CuZn; active surface has nickel-free coating: LCP	Housing: CuZn; active surface has nickel-free coating: LCP
Max. operating temperature	T	°C	-25 ... +70 °C	-25 ... +70 °C	-25 ... +70 °C
Dimensions		mm	M12 x 44	M12 x 67	M12 x 44
Connector			M8x1	M8x1	M8x1
<b>Additional information</b>					
Rated sensing range	S <sub>N</sub>	mm	8	4	4
Switching frequency		Hz	800	2500	2500
Operating current		mA	200	200	200
Mechanical installation			Not flush	Flush	Flush
Function indicator			LED	LED	LED
Switching output			PNP	PNP	PNP
Switching function			Normally open (NO)	Normally open (NO)	Normally open (NO)
Operating voltage		V DC	10 ... 30	10 ... 30	10 ... 30
Approvals			CE, UL, CSA	CE, UL, CSA	CE, UL, CSA
Conformity with standards			IEC 60947-5-2	IEC 60947-5-2	IEC 60947-5-2

## Circuit diagrams



## M8 sensors with M8x1 connector



For VE 2, VE 2/L, VE 2/M or VE 2/S position sensing in connection with 3842528817 (see p. 8-18). For VA 2/50

position sensing or for chain tensioner sensing with AS/BS 2/C-100, -250, AS/BS 2/R-300, -700, KU 2

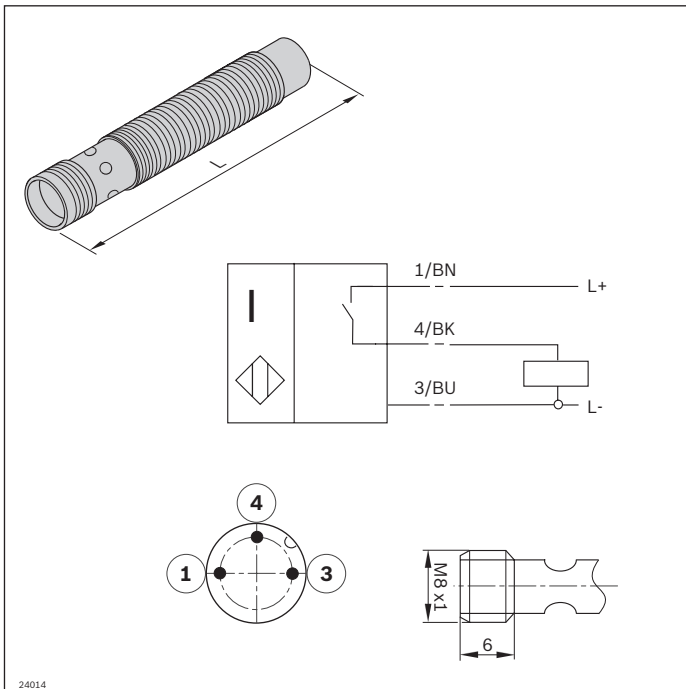
### Ordering information

Product designation	Material number
M8x30 sensor	3842551761

## Technical data

<b>Material number</b>		<b>3842551761</b>	
<b>Features</b>			
IP rating		IP 68	
Material specification		Housing: Stainless steel, rustless Active surface: PBT	
Operating temperature	T	°C	-25 ... +70 °C
Dimensions		M8 x 30	
Connector		M8x1	
<b>Additional information</b>			
Rated sensing range	S <sub>N</sub>	mm	2
Switching frequency		Hz	1500
Operating current		mA	200
Mechanical installation		Flush	
Function indicator		LED	
Switching output		PNP	
Switching function		Normally open (NO)	
Operating voltage		V DC	10 ... 30
Approvals		CE, cULus	
Conformity with standards		IEC 60947-5-2	

## Circuit diagrams





## Sensor application matrix

	Diameter with connector	Sensor			
	M12 with M12	3842557633	3842501548	3842549814	
	M12 with M8	3842549813	3842549812	3842549811	
	M8 with M8			3842551761	
Position sensor	AS 2/C-100, AS 2/C-250			X	
	AS 2/R-300, AS 2/R-700			X	
	BS 2/R-300, BS 2/R-700			X	
	BS 2/C-100, BS 2/C-250			X	
	EQ 2/TR		X		
	EQ 2/TR-90		X		
	EQ 2/T		X		
	EQ 2/TE		X		
	HQ 2/S		X		
	HQ 2/O		X		
	HQ 2/T		X		
	HQ 2/U		X		
	HQ 2/U2		X		
	HQ 2/H			X	X
	HQ 2/U-H			X	X
	HQ 2/C-H		X		
	HD 2		X		
	HD 2/H			X	X
	KU 2				X
	PE 2			X	X
	PE 2/X, PE 2/H, PE 2/XP		X		
	RA (HP 2/L)	X			
	HP 2			X	X
	VE 2 position indication				X
	VA 2/D-130/clamping holder				X
	WT position sensing	SH 2/S	X		
		SH 2/ST		X	
		SH 2/S-H	X		
		SH 2/U	X		
		SH 2/UV	X		
		SH 2/U-H	X		
		WI/M		X	
WI 2			X		
WI 2/H			X		
WI 2/D			X		
HQ 2/U-H			X	X	