



Tools

Chain breaker

11-2

Spring tensioner

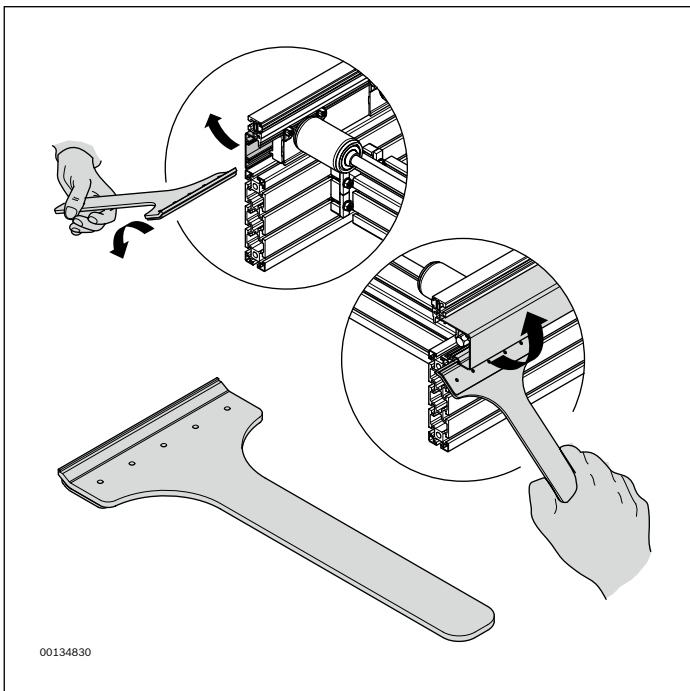
11-3

Chain breaker



Use:

- ▶ To gently remove the covers (on the king shaft and passive side).



Product designation	Material number
Chain breaker	3 842 545 836

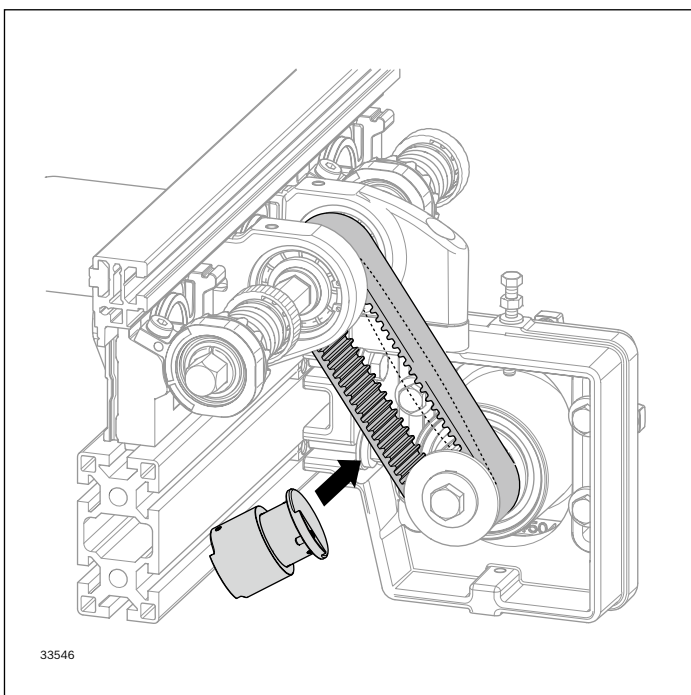
Spring tensioner



Use:

- ▶ Only required when exchanging the toothed belt in the AS 5 drive unit.

In the delivery condition, the toothed belt in the AS 5 drive unit has been tensioned at the factory.



Product designation	Material number
Spring tensioner	3 842 545 871