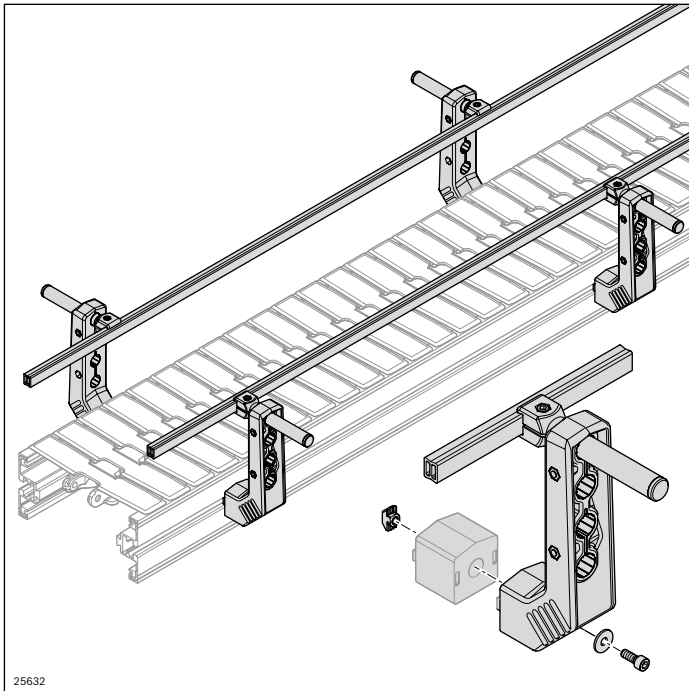
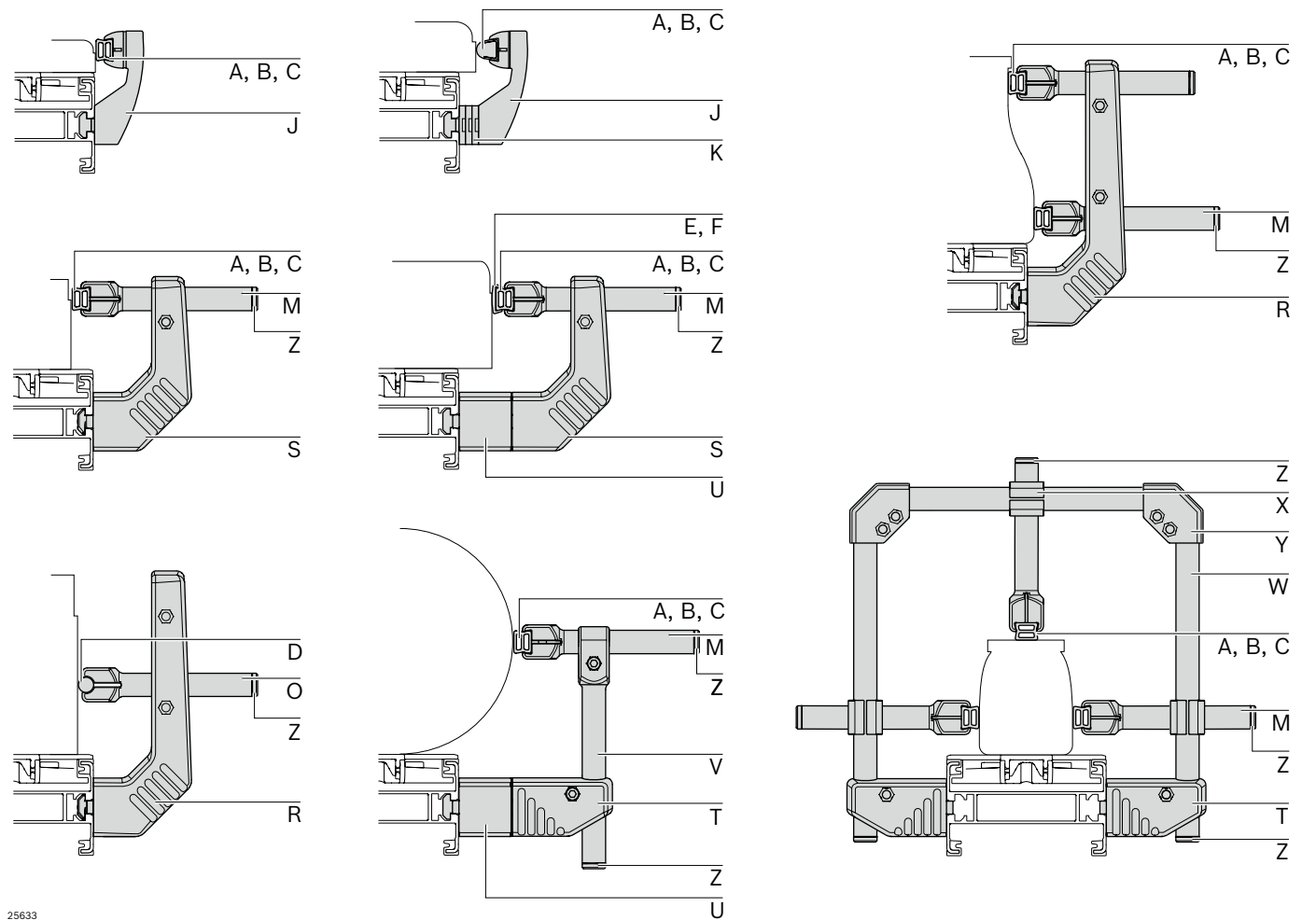


Components for lateral guides



- Wide variety of profile rail and holder combinations for individual solutions
- Easy to clean
- Sturdy
- Only one tool required for adjustment
- 10 mm slot interface

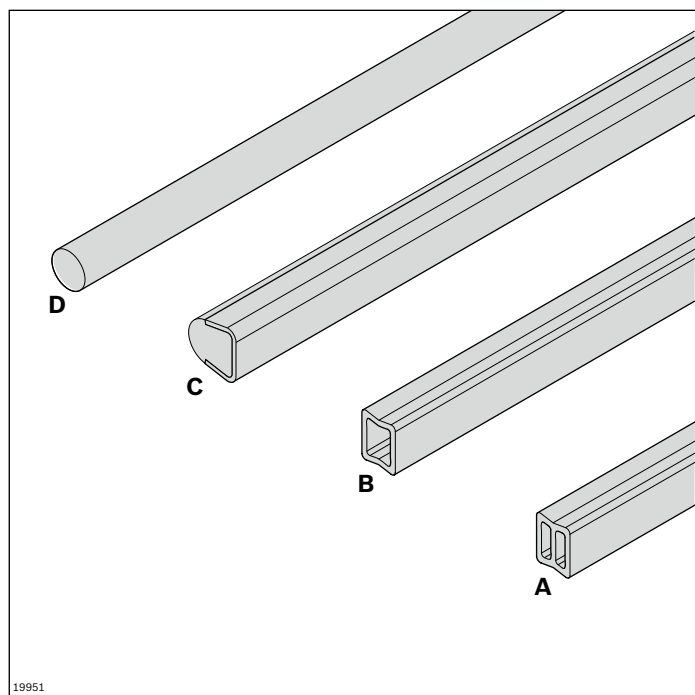
Mounting variants



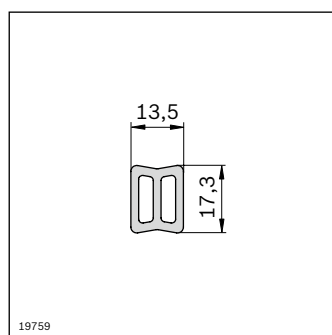
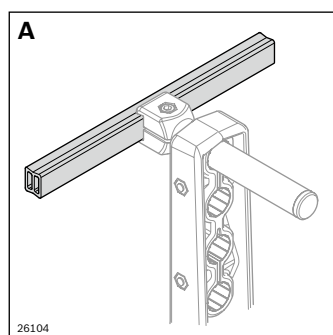
- A:** Aluminum profile rail, see page 202
B: HDPE profile rail, see page 203
C: Profile rail 17x17.5, see page 203
D: Profile rail D12, see page 203
E: Slide rail, narrow, see page 203
F: Slide rail, high, see page 204
J: Holder, fixed, see page 206
K: Spacer plate, see page 206
M: Clamping holder C L100, see page 209
O: Clamping holder D12 L100, see page 209

- R:** Holder L204, see page 210
S: Holder L134, see page 210
T: Holder L45, see page 211
U: Spacer, see page 211
V: Vertical clamping holder D18 L160, see page 211
W: Tube D18, see page 212
X: Cross piece, see page 212
Y: Corner piece, see page 212
Z: Plug, see page 212




Profile rails for lateral guides



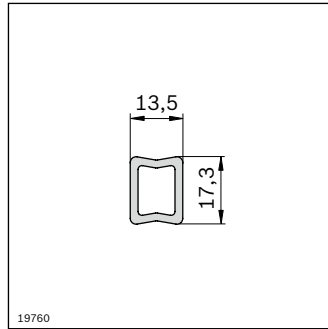
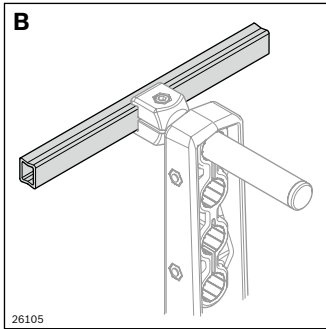
- Profile rails for lateral guiding of transported material
- Compatible with holders for lateral guide, fix (see page 205), and holders for lateral guide, flexible (see page 207)
- Various materials and geometries for different applications



- Aluminum profile rail for robust lateral guides
- Holder distance: max. 750 mm, less with accumulation pressure

Aluminum profile rail		L (mm)	No.
A	1 pcs 	200 ... 3000	3 842 993 887/L
A	 20 pcs 	3000	3 842 538 829

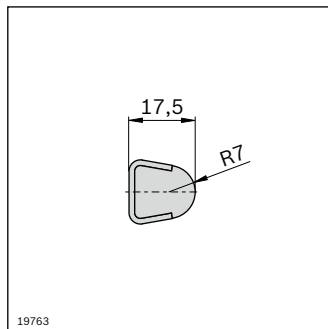
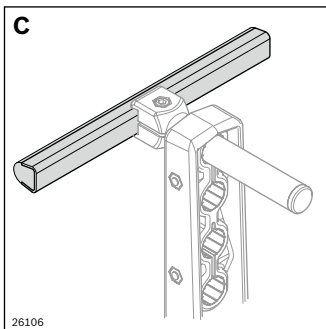
Material: Aluminum; natural, anodized
 Accessories: Slide rail narrow (**E**); slide rail high (**F**); outer profile connector (**G**); inner profile connector (**H**); cap (**I**); clamping holder C L100 (**M**); clamping holder C (**N**); holder (**J**); clamping head (**L**); clamping head (**Q**)



- HDPE profile rail for light applications
- Bendable
- Spacer distance: approx. 300 mm

HDPE profile rail		L (mm)	No.
B	1 pcs	3000	3 842 538 388

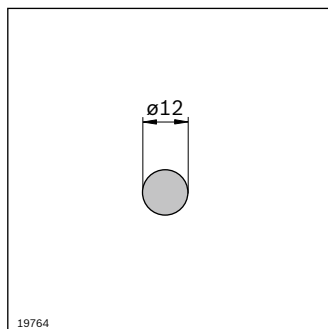
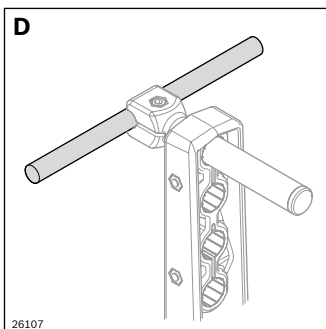
Material: HDPE; gray
 Accessories: Slide rail narrow (E); slide rail high (F); outer profile connector (G); inner profile connector (H); cap (I); clamping holder C L100 (M); clamping holder C (N); holder (J); clamping head (L); clamping head (Q)



- Profile rail 17x17.5 in robust stainless steel version with PE guide for gentle product handling
- Holder distance: max. 750 mm, less with accumulation pressure

Profile rail 17x17.5		L (mm)	No.
C	1 pcs	200 ... 3000	3 842 994 863/L
C	20 pcs	3000	3 842 529 850

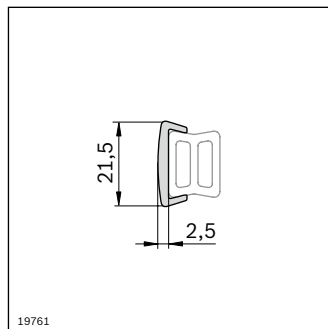
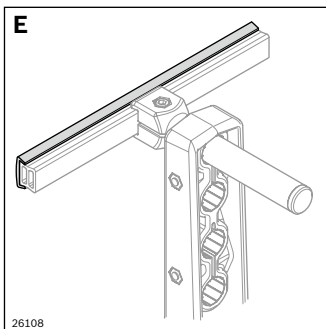
Material: Steel; stainless/PE; natural
 Accessories: Outer profile connector (G); clamping holder C L100 (M); clamping holder C (N); holder (J); clamping head (L); clamping head (Q)



- Profile rail D12 in robust stainless steel version
- Holder distance: max. 750 mm, less with accumulation pressure

D12 profile rail		L (mm)	No.
D	1 pcs	200 ... 3000	3 842 993 306/L
D	6 pcs	3000	3 842 533 841

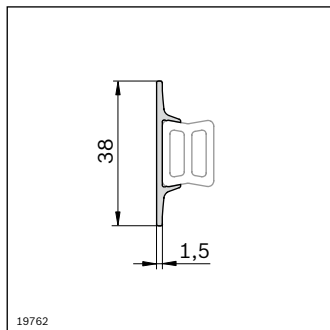
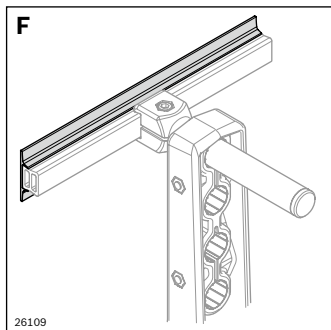
Material: Steel; stainless
 Accessories: Clamping holder D12 L100 (O); clamping holder D12 (P)



- Clip-on slide rail for aluminum or HDPE profile rail
- For gentle product transport and minimum wear to HDPE profile rail

Slide rail, narrow		L (mm)	ESD	No.
E		3000		3 842 538 209
E		3000		3 842 539 340

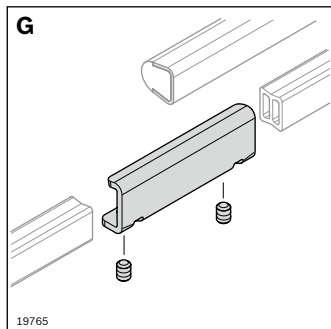
Material: HDPE; gray
 ESD: PE-UHMW, conductive, black



- Clip-on slide rail for aluminum or HDPE profile rail
- Wide guiding surface
- For gentle product transport and minimum wear to HDPE profile rail

Slide rail, high	L (mm)	No.
F	3000	3 842 538 389

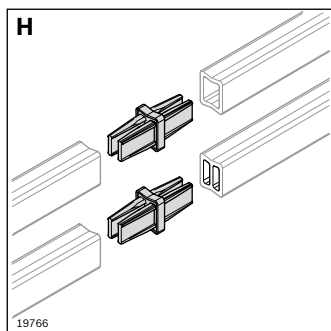
Material: HDPE; gray



- Outer profile connector for aluminum profile rails (**A**), HDPE profile rail (**B**), 17x17.5 profile rail (**C**)

Outer profile connector	No.
G	10 3 842 539 613

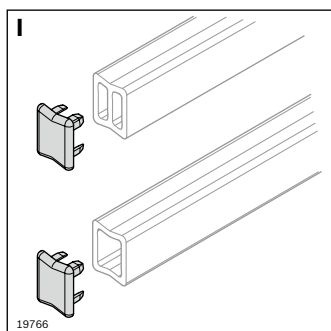
Material: Steel; stainless
Scope of delivery: incl. 2 x headless setscrews



- Inner profile connector for profile rail in aluminum (**A**), HDPE (**B**)

Inner profile connector	No.
H	10 3 842 539 345

Material: PA; black, conductive

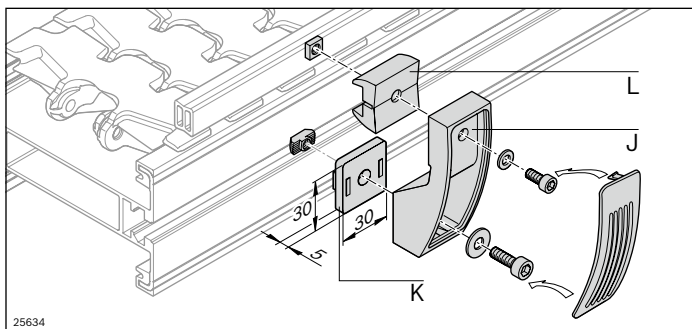


- Cap for aluminum (**A**) profile rail, HDPE (**B**) profile rail

Cover cap	No.
I	10 3 842 538 208

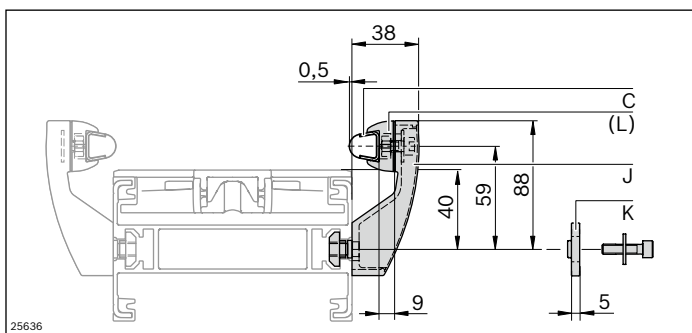
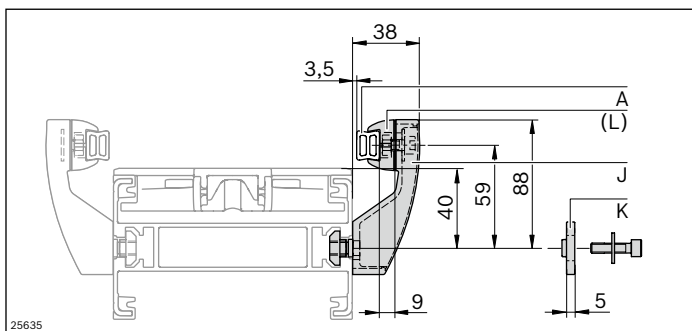
Material: PA; black, conductive

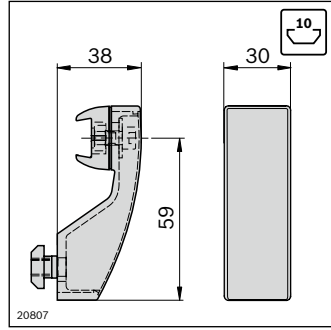
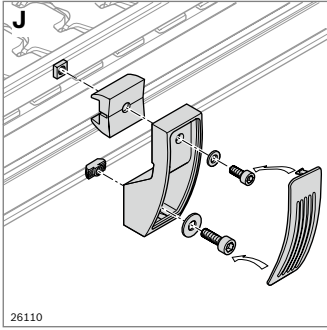
Holder for lateral guide, fix



- Holders for lateral guides with fixed installation height and fixed guide width

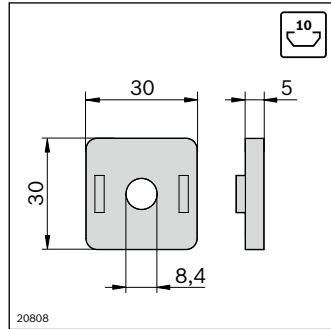
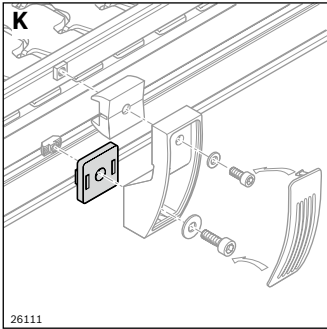
7





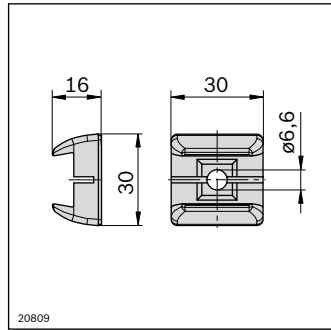
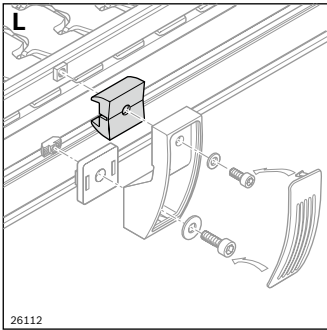
- Holder, fixed, for profile rail in aluminum (A), HDPE (B) and 17x17.5 (C)
- For fixed guide width
- Guide width increased through use of spacer plate (K)

Holder, fixed	No.
J Set	3 842 527 851
Material:	PA; black Fastening material: steel; galvanized
Scope of delivery:	Incl. clamping head, fastening material



- Spacer plate for holders, fixed, to enlarge the guide width

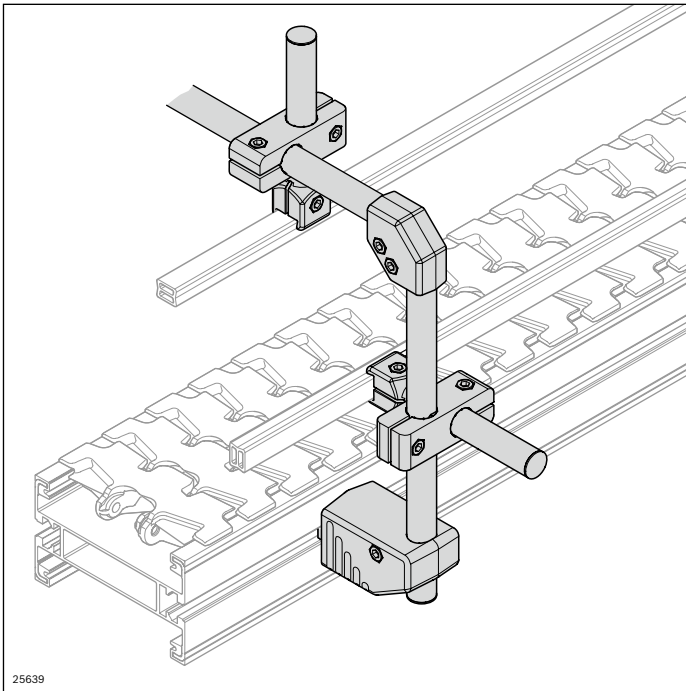
Spacer plate	No.
K	10 3 842 527 738
Material:	PA; black



- Clamping head for on-site construction of supports for protruding transported material

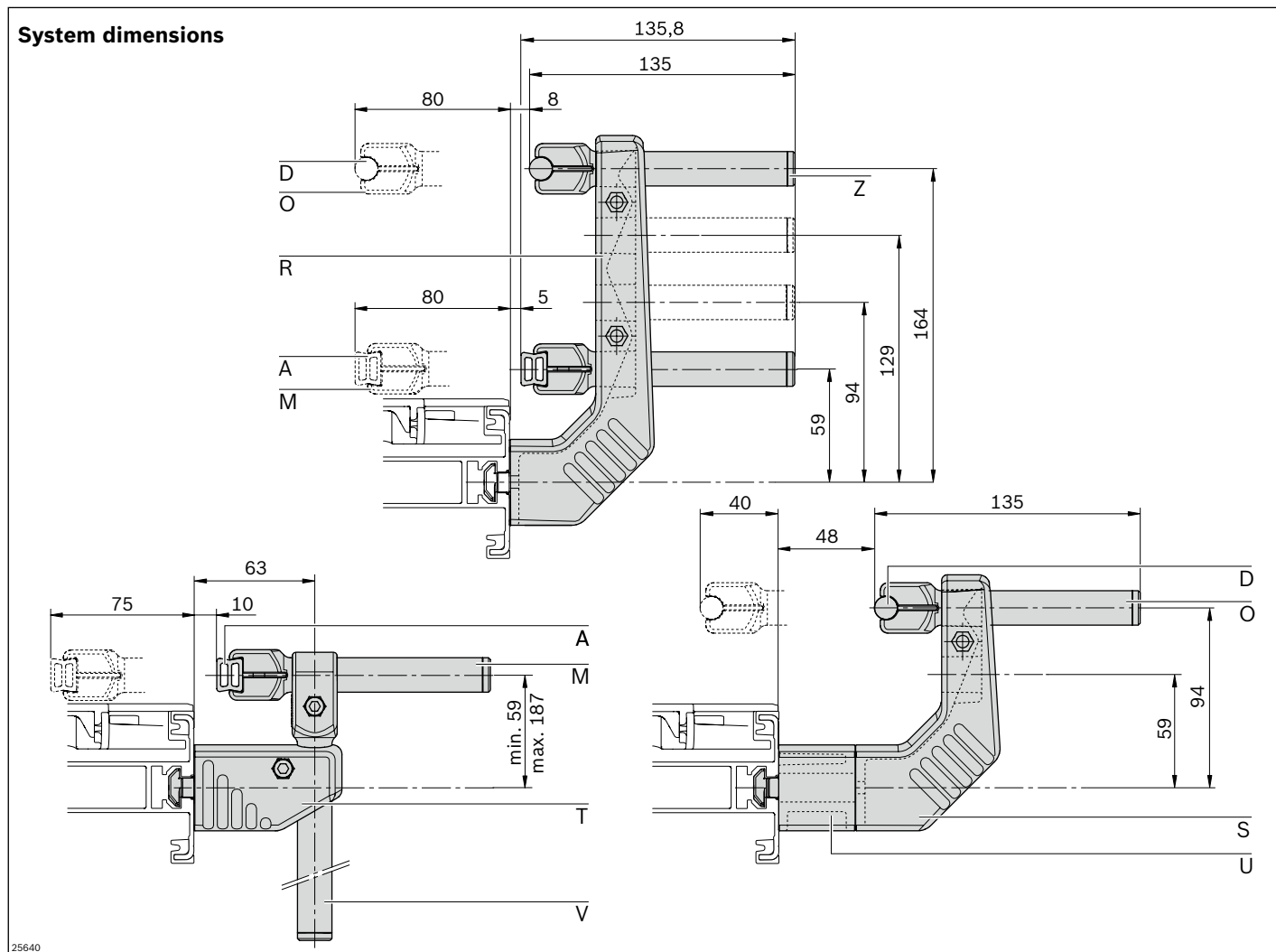
Clamping head	No.
L Set	10 3 842 536 295
Material:	PA; black Fastening material: steel; galvanized
Scope of delivery:	Incl. fastening material

Lateral guide holder, flexible

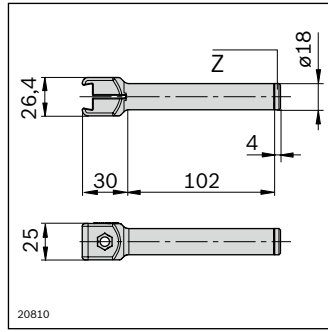
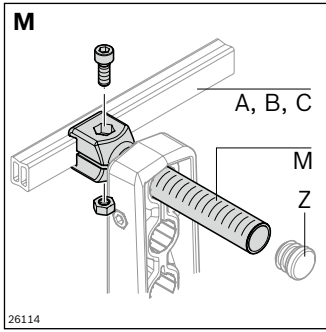


- Holders and clamping holders make variable adjustment of the guide height and width possible
- Easy to clean

Note: For lateral guide stability, at least two holders must be connected with a continuous profile rail.

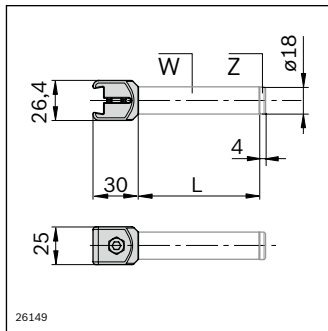
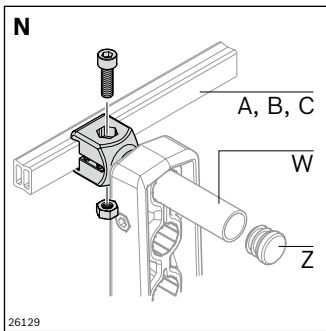


- A:** Aluminum profile rail, see page 202
- D:** Profile rail D12, see page 203
- M:** Clamping holder C L100, see page 209
- O:** Clamping holder D12 L100, see page 209
- R:** Holder L204, see page 210
- S:** Holder L134, see page 210
- T:** Holder L45, see page 211
- U:** Spacer, see page 211
- V:** Vertical clamping holder D18 L160, see page 211
- Z:** Plug, see page 212



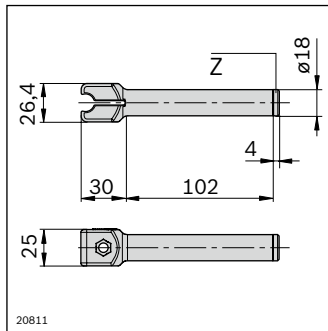
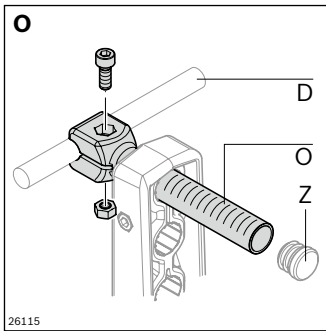
- Clamping holder C L100 for supporting aluminum (A), HDPE (B) or 17x17.5 (C) profile rail versions
- Scaling in mm and inch for simple alignment

Clamping holder C L100		No.
M	10	3 842 539 499
Material:	Clamping holder: PA; black Nut, bolt: Steel; stainless	
Accessories:	Plug (Z)	



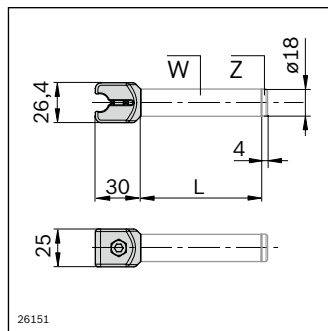
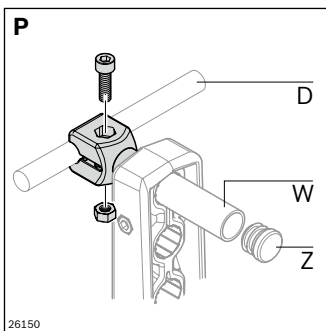
- Clamping holder C for mounting profile rails aluminum (A), HDPE (B) or 17x17.5 (C) profile rail versions
- In conjunction with tube 18 (W) for constructing longer clamping holders

Clamping holder C		No.
N	10	3 842 547 228
Material:	Clamping holder: PA; black Nut, bolt: Steel; stainless	
Accessories:	Plug (Z) Tube D18 (W)	



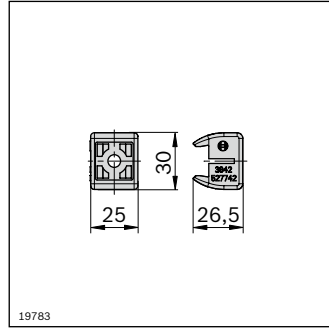
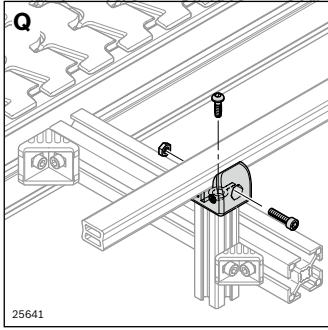
- Clamping holder D12 L100 for supporting profile rails D12 (D)
- Scaling in mm and inch for simple alignment

Clamping holder D12 L100		No.
O	10	3 842 539 498
Material:	Clamping holder: PA; black Nut, bolt: Steel; stainless	
Accessories:	Plug (Z)	



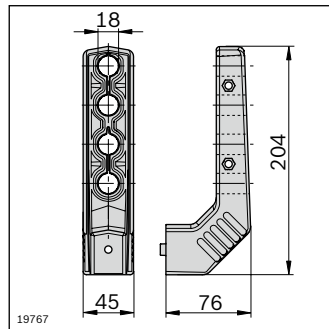
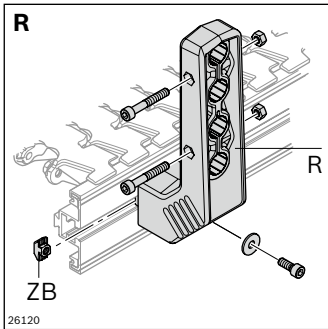
- Clamping holder D12 for supporting profile rails D12 (D)
- In conjunction with tube 18 (W) for constructing longer clamping holders

Clamping holder D12		No.
P	10	3 842 547 227
Material:	Clamping holder: PA; black Nut, bolt: Steel; stainless	
Accessories:	Plug (Z) Tube D18 (W)	



- Clamping head for supporting aluminum (A), HDPE (B) or stainless steel profile rail versions with PE guide (C)
- Direct mounting on profiles with 10 mm slot

Clamping head		No.
Q Set	10	3 842 528 009
Material:	Clamping holder: PA; black Fastening material: steel; galvanized	
Scope of delivery:	Incl. fastening material	



- Holder for fastening clamping holders C, C L100, D12, or D12 L100
- Various installation heights possible for clamping holders
- Variable guide widths possible
- Spacer (U) for added enlargement of guide width

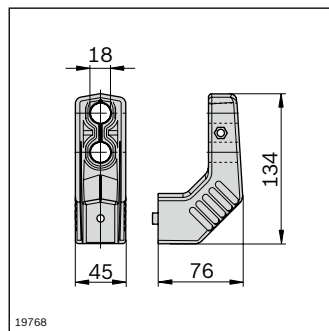
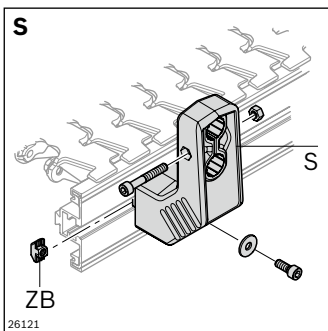
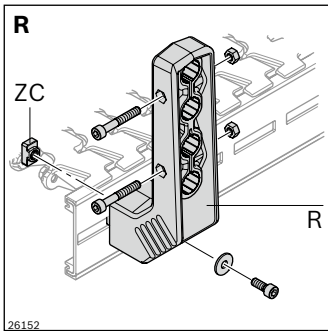
Holder L204		No.
R Set	100	3 842 539 494
ZB T-nut for AL	100	3 842 530 285
ZC T-nut for STS	20	3 842 546 706

Material: PA, black
Fastening material: Steel; stainless

Scope of delivery: Incl. fastening material (except for T-nuts)

Required accessories: T-nut for AL or STS

Optional accessories: Spacer (U)



- Holder for fastening clamping holders C, C L100, D12, or D12 L100
- Various installation heights possible for clamping holders
- Variable guide widths possible
- Spacer (U) for added enlargement of guide width

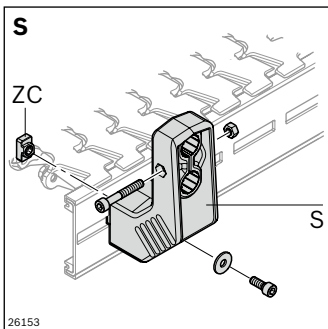
Holder L134		No.
S Set	100	3 842 539 495
ZB T-nut for AL	100	3 842 530 285
ZC T-nut for STS	20	3 842 546 706

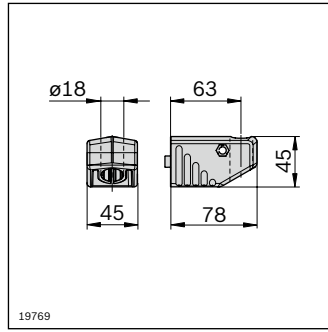
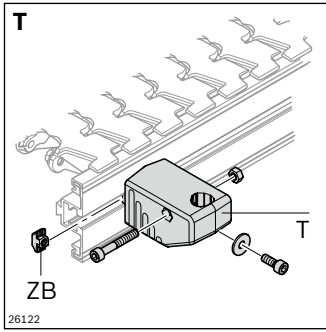
Material: PA; black
Fastening material: Steel; stainless

Scope of delivery: Incl. fastening material (except for T-nuts)

Required accessories: T-nut for AL or STS

Optional accessories: Spacer (U)

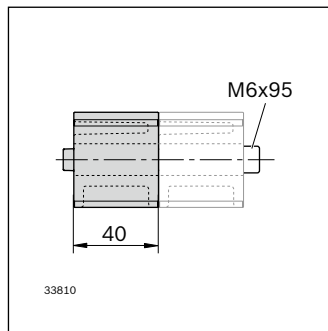
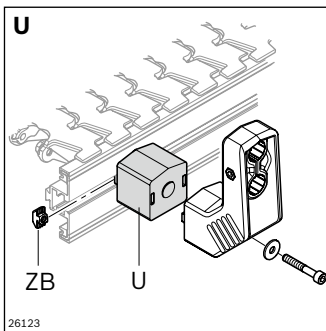
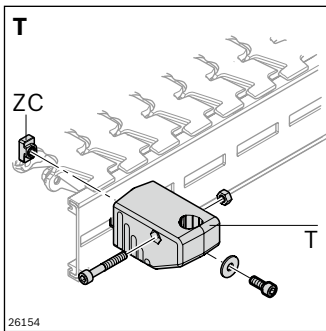




- Holder L45 for fastening vertical clamping holders or tube D18
- For infinitely height-adjustable lateral guides
- Spacer (**U**) for enlargement of guide width

Holder L45		No.
T Set	10	3 842 539 496
ZB T-nut for AL	100	3 842 530 285
ZC T-nut for STS	20	3 842 546 706

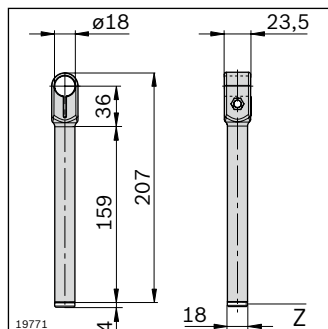
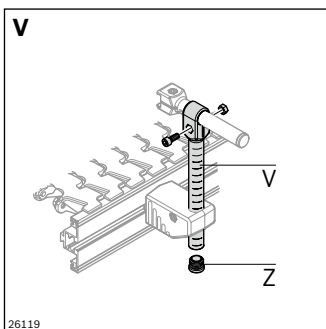
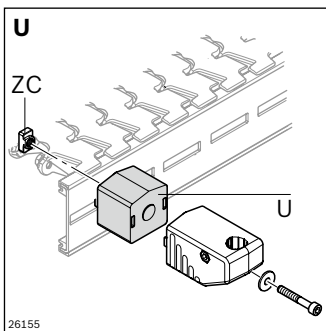
Material: PA; black
 Fastening material: Steel; stainless
 Scope of delivery: Incl. fastening material (except for T-nuts)
 Required accessories: T-nut for AL or STS
 Optional accessories: Spacer (**U**)



- Spacer for guide width enlargement

Spacer		No.
U Set	10	3 842 539 497
ZB T-nut for AL	100	3 842 530 285
ZC T-nut for STS	20	3 842 546 706

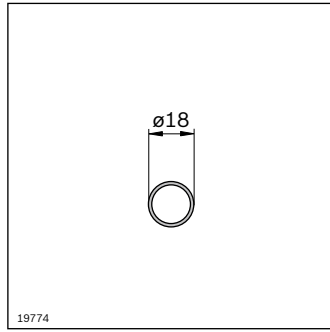
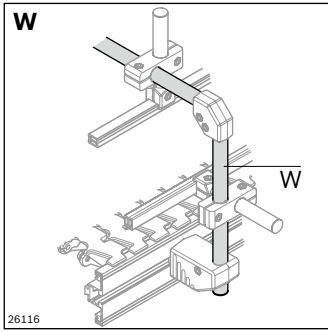
Material: PA; black
 Fastening material: Steel; stainless
 Scope of delivery: Incl. fastening material (except for T-nuts)
 Required accessories: T-nut for AL or STS



- Vertical clamping holder for constructing height-adjustable guides

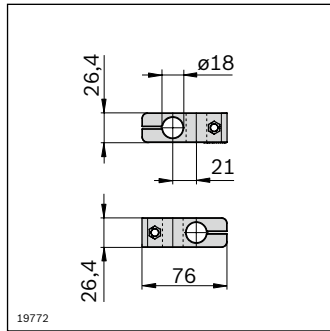
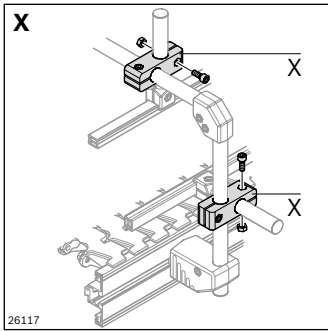
Vertical clamping holder D18 L160		No.
V	10	3 842 539 500

Material: PA; black
 Nut, screw: Steel; stainless
 Accessories: Plug (**Z**)



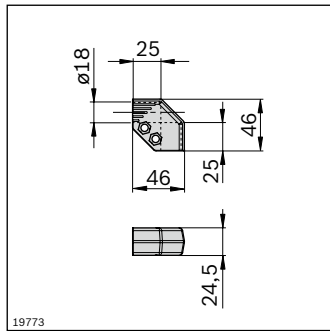
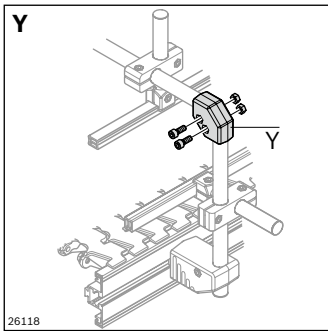
- Tube D18 for constructing height-adjustable vertical holders or cross members for upper guides

Tube D18	L (mm)	No.
W	3000	3 842 539 339
Material:	Stainless steel	
Accessories:	Plug (Z)	



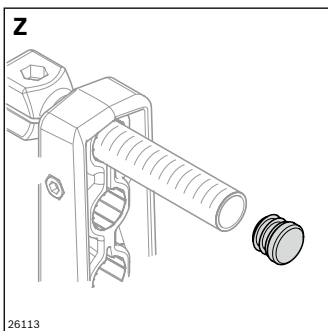
- Cross piece for intersecting, perpendicular connections of tubes D18 (W) and clamping holders C L100 (M) or D12 L100 (O)

Cross piece	No.
X	10 3 842 539 501
Material:	Cross piece: PA; black Nut, screw: Steel; stainless



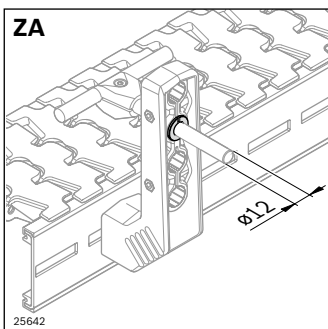
- Corner piece for end-to-end, perpendicular connections of tubes D18 (W) and clamping holders C L100 (M) or D12 L100 (O)

Corner piece	No.
Y	10 3 842 539 505
Material:	Corner piece: PA; black Nut, screw: Steel; stainless



- Plug for clamping holder C L100 (M), clamping holder D12 L100 (O), vertical clamping holder D18 L160 (V) or tube D18 (W)

Plug	No.
Z	10 3 842 539 826
Material:	PA; black



- Reducing adapter for accommodating round profiles $\varnothing 12$ in D18 mountings, e.g. for customer-specific clamping holders

Reducing adapter	No.
ZA	20 3 842 539 344
Material:	PA; black