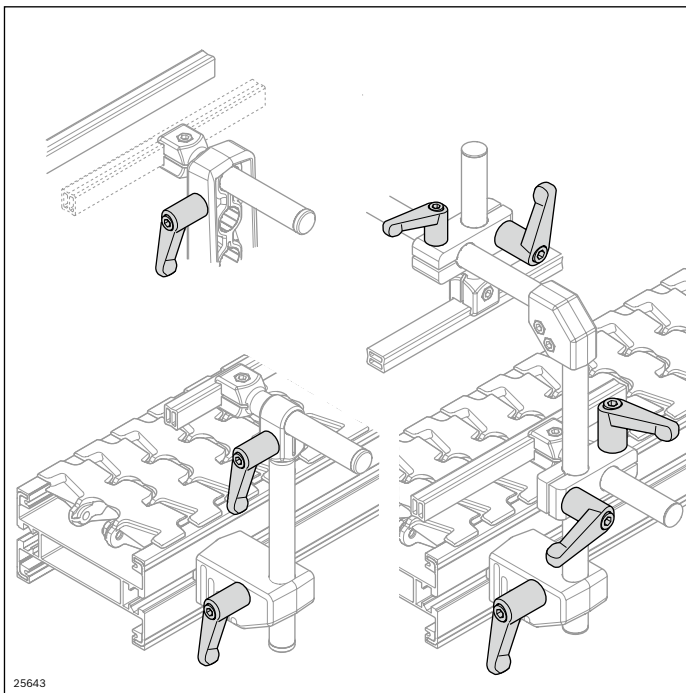
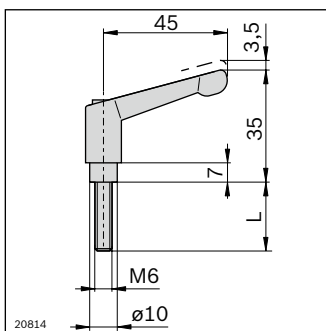


Clamping lever



25643



20814

- For easy adjustment of lateral guide holders
- Clamping lever M6x25 for cross piece
- Clamping lever M6x40 for the holder

7

Clamping lever	L (mm)	No.
M6x25	25	3 842 528 540
M6x40	40	3 842 528 539

Material: Lever: diecast zinc; black plastic coated
Screws: steel; galvanized and black chrome-plated