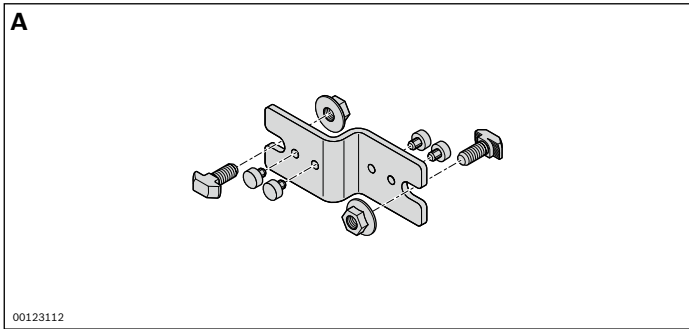


The middle lateral guide is used alternately by both sides. The section link (23 mm) **(A)** is used in combination with the holder for lateral guides (23 mm) **(B)** as a spacer between sections.

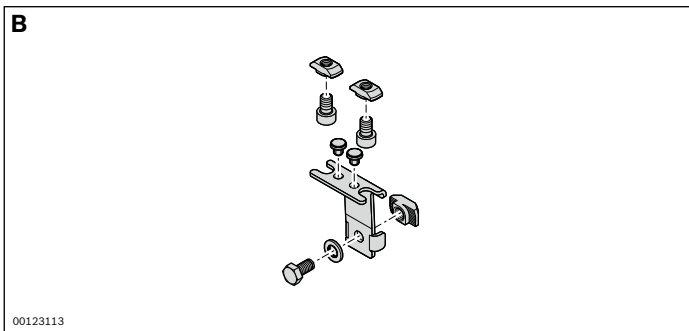
- The use of a section transfer (see page 244), diverter (see page 246) or junction (see page 254), requires parallel section spacing of 23 mm.

Material:

- **A, B:** Non-rusting steel
- Fastening parts: Galvanized steel



Section link	No.
A	10 3 842 532 998



Lateral guide holder	No.
B	10 3 842 532 980