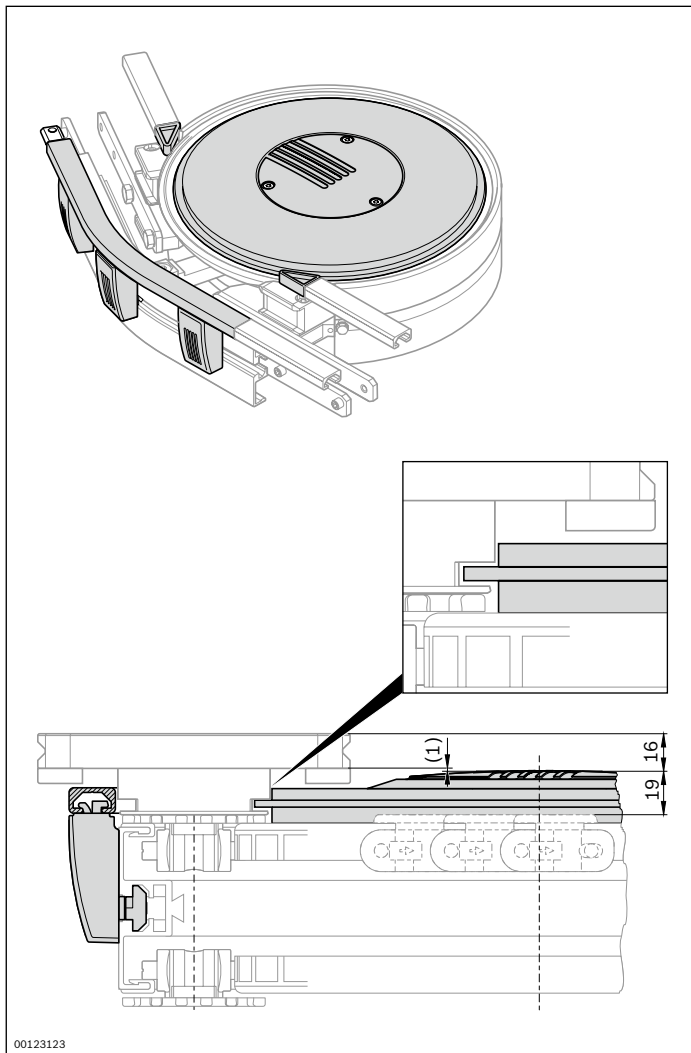


## Curve wheel lateral guide



Lateral guide of the workpiece pallet (WT) in the curve wheel or curve wheel drive.

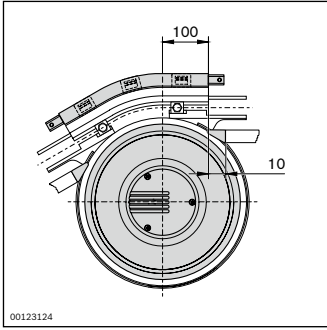
- Prevents the WT from ascending in accumulation operation or tipping over at high conveying speeds
- Complete kit for mounting on an existing curve wheel or curve wheel drive
- Lateral guide for curve wheels with other angles as well as lateral guide for curves available on request

Scope of delivery:

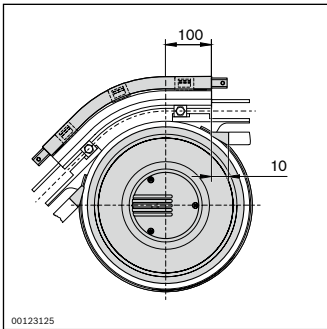
Kit incl. fastening parts (as shown)

Material:

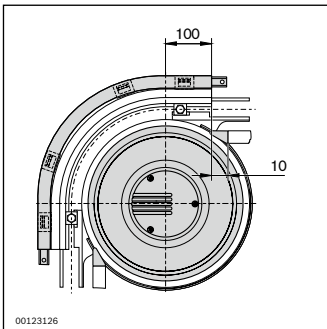
- Guide rail: Aluminum; natural, anodized
- Guide disc, holder: PA, black
- Fastening parts: Galvanized steel



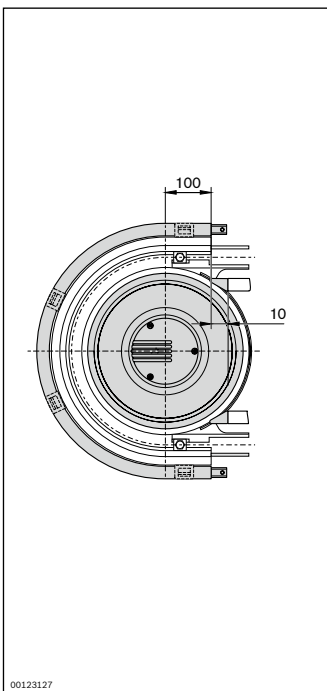
<b>Lateral guide 30°</b>	<b>No.</b>
VFplus 65	<b>3 842 547 949</b>
VFplus 90	<b>3 842 547 953</b>



<b>Lateral guide 45°</b>	<b>No.</b>
VFplus 65	<b>3 842 547 950</b>
VFplus 90	<b>3 842 547 954</b>



<b>Lateral guide 90°</b>	<b>No.</b>
VFplus 65	<b>3 842 547 951</b>
VFplus 90	<b>3 842 547 955</b>



<b>Lateral guide 180°</b>	<b>No.</b>
VFplus 65	<b>3 842 547 952</b>
VFplus 90	<b>3 842 547 956</b>