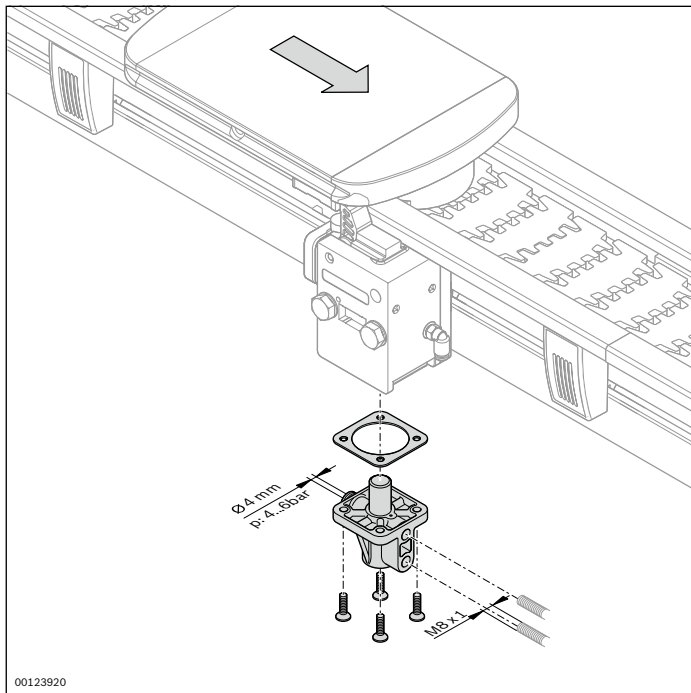


Position sensor accessories



For querying the position of the stop gate via proximity switch and/or accelerating the pneumatic closing of the stop gate

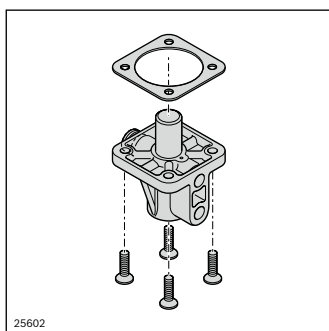
- For retrofitting on the stop gate VE 2/VF

Required accessories:

Proximity switch M8x1 with switching distance $S_N \geq 4$ mm

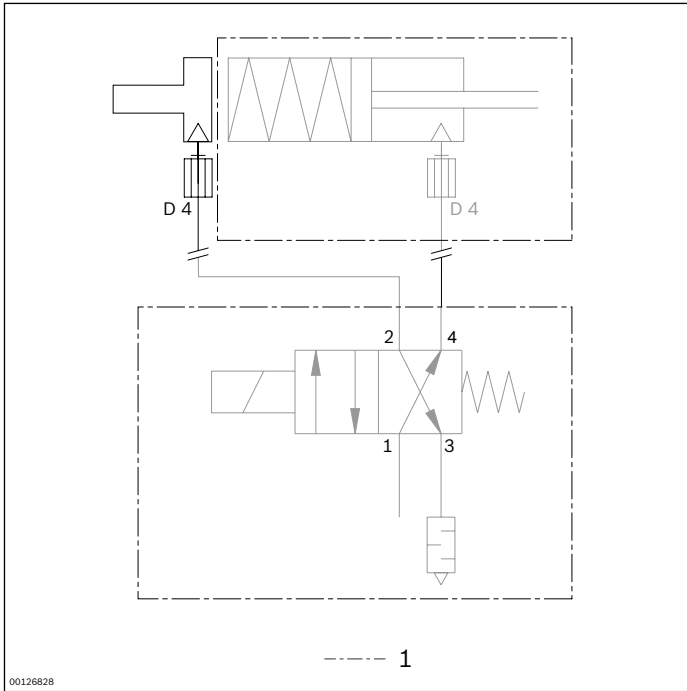
Material:

- Position sensor: PA, black
- Fastening parts: Galvanized steel



Position sensor	No.
	3 842 528 817

Circuit diagram



1 Not included in scope of delivery