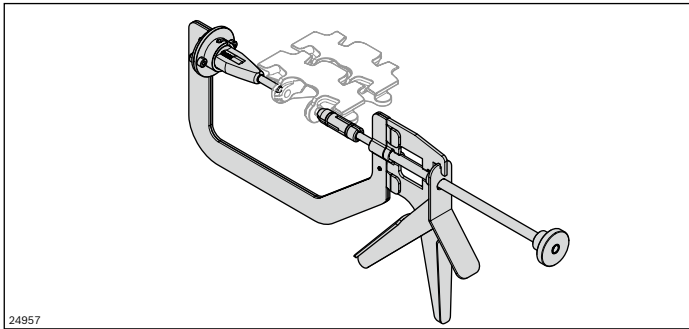


Chain assembly tool



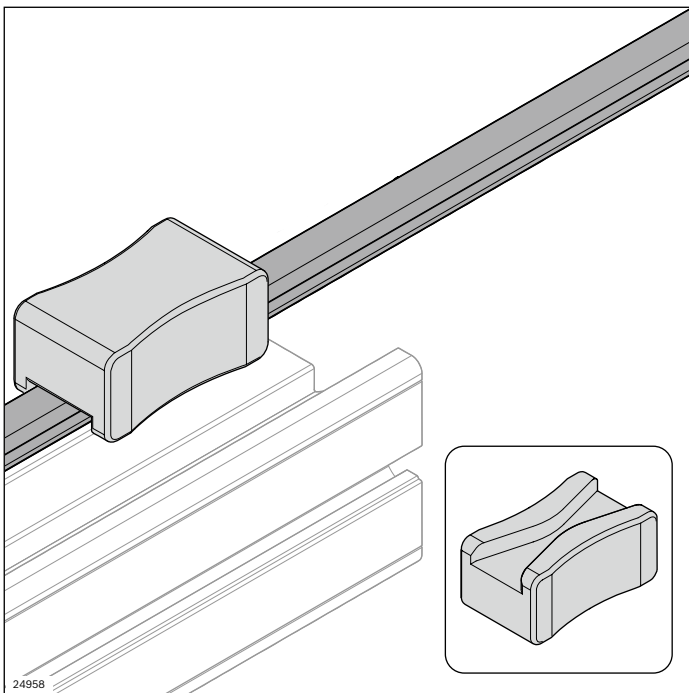
Assembly tool for inserting and removing the chain pin at an easily accessible place, e.g. chain bag, assembly module.

Chain assembly tool

No.

3 842 549 835

Slide rail assembly tool



Assembly tool to easily and effortlessly clip the slide rail onto the section profile

Slide rail assembly tool

No.

3 842 549 738
