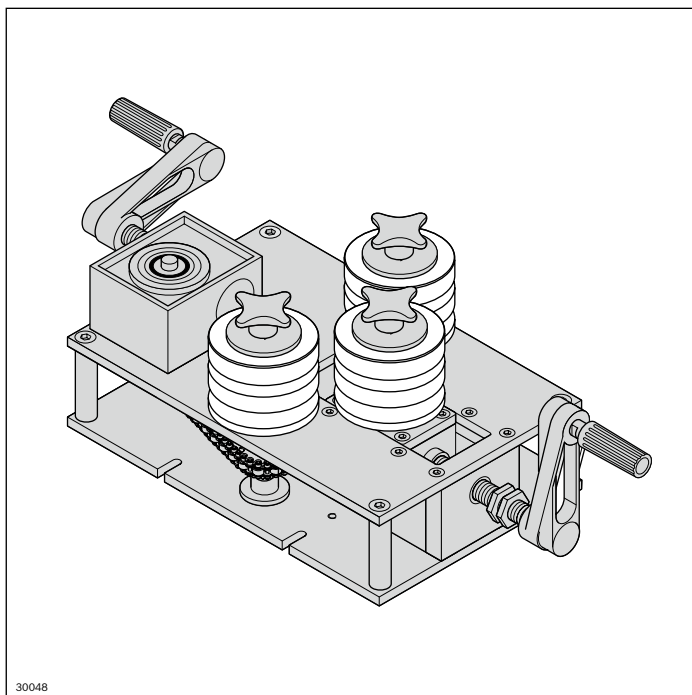
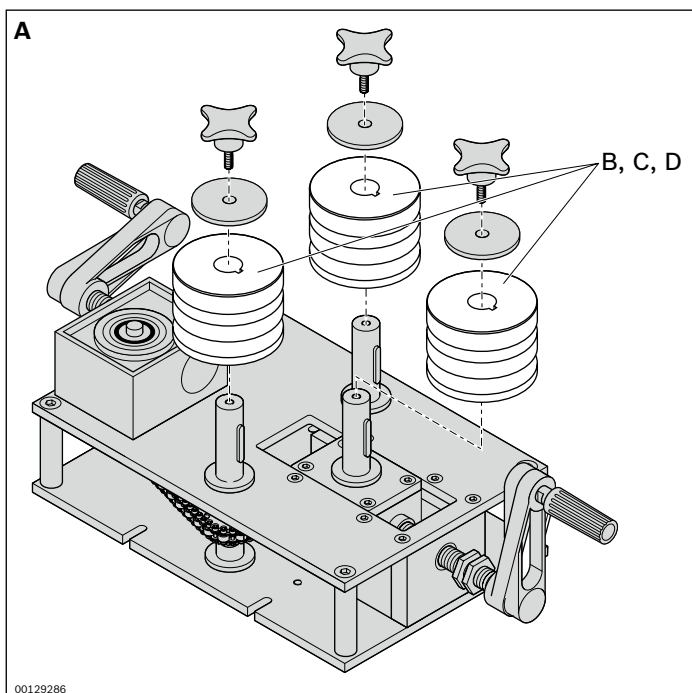


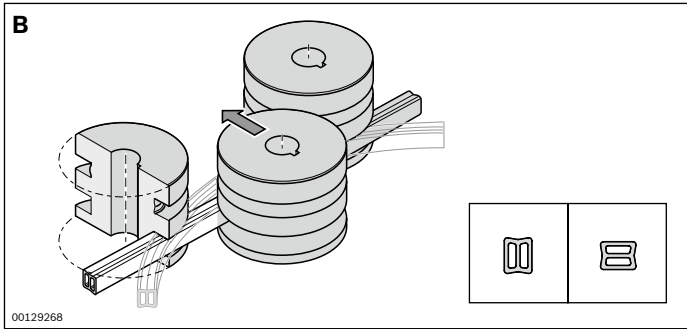
Bending tool for lateral guide



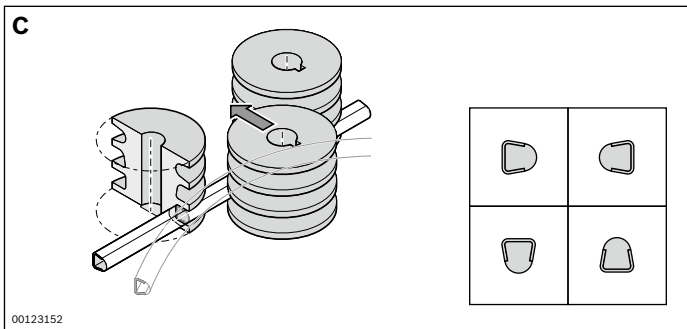
Crank-operated bending tool (A, without set of rollers) for bending profiles. Roller set adjusted to fit the profile rail for lateral guidance of transported material. We do not recommend that you attempt to bend the profile rails yourself. Please contact your Bosch Rexroth distribution partner.



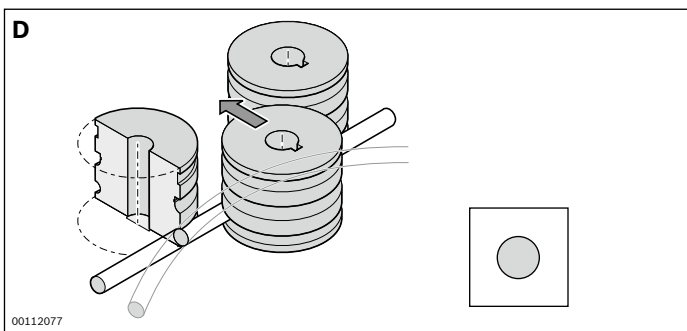
Bending tool for lateral guide		No.	
A		1	3 842 528 531



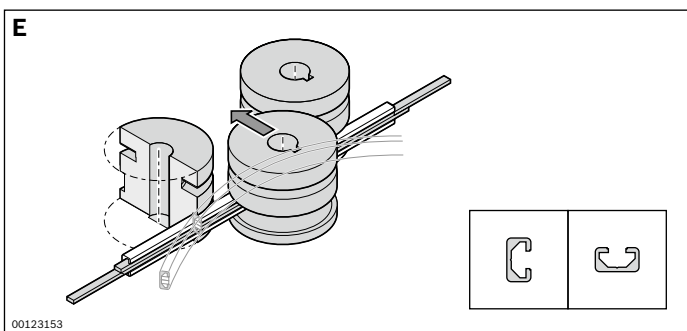
Roller set	No.
B	1 3 842 538 773



Roller set	No.
C	1 3 842 529 236



Roller set	No.
D	1 3 842 533 921



Roller set	No.
E	1 3 842 532 259