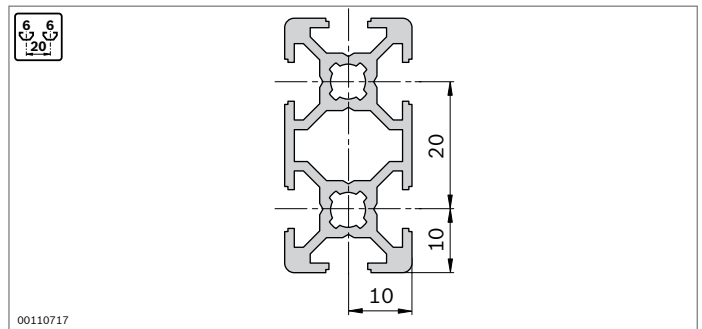
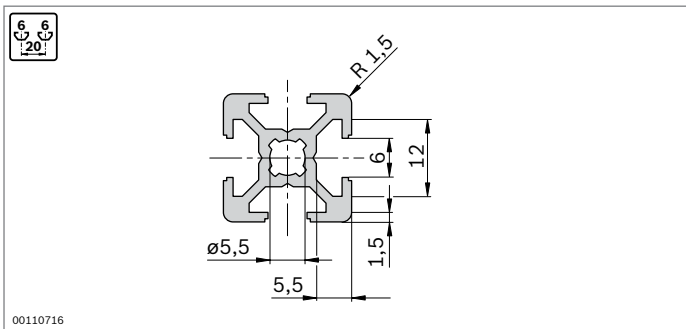


# Strut profiles with 6 mm slot

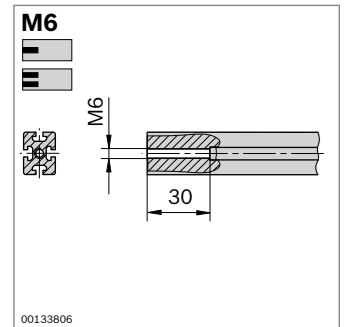
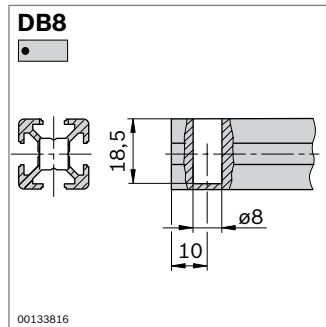
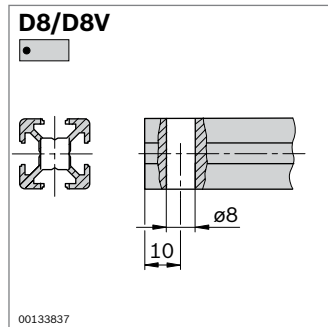
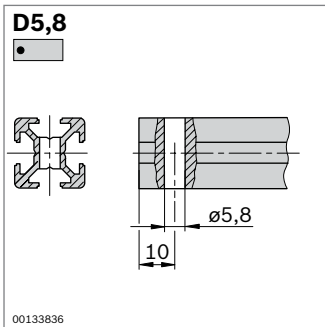
Strut profiles with 6 mm slot for light structures, such as supports and lab fixtures.

The 20x40 and 20x60 profiles are especially suitable for reinforcing; the 20x40x40 profile is suitable for constructing showcases, flow racks, and enclosures.

## Slot, modular dimensions, central bore



## Profile finishing

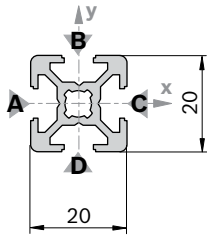


## Minimum profile lengths (mm) for Quick & Easy standard profile finishing on one or both sides

	-	M6	D5.8	D8/DB8
-	50	50	50	50
M6	50	70	50	70
D5.8	50	50	50	50
D8/DB8	50	70	50	50

**20x20**

A = 1,6 cm<sup>2</sup>  
 $I_x = 0,7 \text{ cm}^4$   
 $I_y = 0,7 \text{ cm}^4$   
 $W_x = 0,7 \text{ cm}^3$   
 $W_y = 0,7 \text{ cm}^3$   
 m = 0,4 kg/m

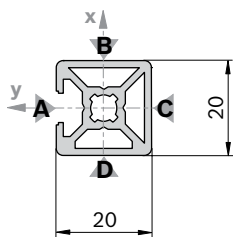


19168

Cover cap	Color	ESD	No.
20x20 (1x)	Signal gray		100 <b>3 842 548 742</b>
20x20 (1x)	Black		20 <b>3 842 548 743</b>
Material:	PP		

**20x20 1N**

A = 1,9 cm<sup>2</sup>  
 $I_x = 0,8 \text{ cm}^4$   
 $I_y = 0,8 \text{ cm}^4$   
 $W_x = 0,8 \text{ cm}^3$   
 $W_y = 0,8 \text{ cm}^3$   
 m = 0,5 kg/m

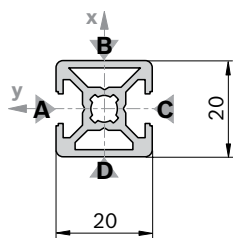


19169

Cover cap: See 20x20

**20x20 2N**

A = 1,8 cm<sup>2</sup>  
 $I_x = 0,7 \text{ cm}^4$   
 $I_y = 0,8 \text{ cm}^4$   
 $W_x = 0,7 \text{ cm}^3$   
 $W_y = 0,8 \text{ cm}^3$   
 m = 0,5 kg/m



19170

Cover cap: See 20x20

20x20	L (mm)	No.
1 pcs	50 ... 3000	<b>3 842 992 888 / L</b>
1 pcs M6	50 ... 3000	<b>3 842 993 230 / L</b>
1 pcs M6  M6	70 ... 3000	<b>3 842 993 231 / L</b>
1 pcs M6  D8	70 ... 3000	<b>3 842 993 494 / L</b>
1 pcs D8	50 ... 3000	<b>3 842 993 493 / L</b>
1 pcs D8  D8	50 ... 3000	<b>3 842 993 495 / L</b>
1 pcs D8  D8V	50 ... 3000	<b>3 842 993 496 / L</b>
20 pcs	3000	<b>3 842 517 179</b>

**Quick & Easy** (p. 2-8, see fold-out section)

20x20	No.
20x20	<b>3 842 993 694 / ...</b>
Length L (mm)	50 ... 3000
Standard profile finishing (note minimum length, p. 2-11)	M6 / D5.8 / D8 / DB8
Customized profile finishing (L <sub>max</sub> = 2300 mm)	DI / DIS / MT / MTS / MI / MIS / DG <sup>1)</sup>

<sup>1)</sup> DG<sub>max</sub> = 45°; L<sub>min1</sub> / L<sub>min2</sub> = 335 / 370 mm

20x20 1N	L (mm)	No.
1 pcs	50 ... 3000	<b>3 842 993 421 / L</b>
20 pcs	3000	<b>3 842 536 475</b>

**Quick & Easy** (p. 2-8, see fold-out section)

20x20 1N	No.
20x20 1N	<b>3 842 993 690 / ...</b>
Length L (mm)	50 ... 3000
Standard profile finishing (note minimum length, p. 2-11)	M6 / D5.8 / D8 / DB8
Customized profile finishing (L <sub>max</sub> = 2300 mm)	DI / DIS / MT / MTS / MI / MIS / DG <sup>1)</sup>

<sup>1)</sup> DG<sub>max</sub> = 45°; L<sub>min1</sub> / L<sub>min2</sub> = 335 / 370 mm

20x20 2N	L (mm)	No.
1 pcs	50 ... 3000	<b>3 842 993 422 / L</b>
20 pcs	3000	<b>3 842 536 478</b>

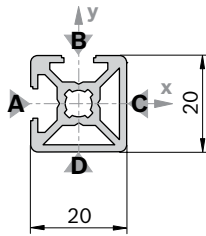
**Quick & Easy** (p. 2-8, see fold-out section)

20x20 2N	No.
20x20 2N	<b>3 842 993 691 / ...</b>
Length L (mm)	50 ... 3000
Standard profile finishing (note minimum length, p. 2-11)	M6 / D5.8 / D8 / DB8
Customized profile finishing (L <sub>max</sub> = 2300 mm)	DI / DIS / MT / MTS / MI / MIS / DG <sup>1)</sup>

<sup>1)</sup> DG<sub>max</sub> = 45°; L<sub>min1</sub> / L<sub>min2</sub> = 335 / 370 mm

**20x20 2NVS**

A = 1,8 cm<sup>2</sup>  
 I<sub>x</sub> = 0,7 cm<sup>4</sup>  
 I<sub>y</sub> = 0,7 cm<sup>4</sup>  
 W<sub>x</sub> = 0,7 cm<sup>3</sup>  
 W<sub>y</sub> = 0,7 cm<sup>3</sup>  
 m = 0,5 kg/m



19171

Cover cap: See 20x20

<b>20x20 2NVS</b>		<b>L (mm)</b>	<b>No.</b>
1 pcs		50 ... 3000	<b>3 842 992 924 / L</b>
20 pcs		3000	<b>3 842 519 658</b>

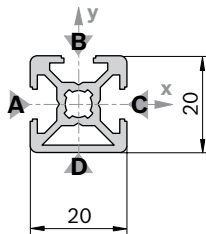
**Quick & Easy** (p. 2-8, see fold-out section)

<b>20x20 2NVS</b>		<b>3 842 993 692 / ...</b>	
Length L (mm)		50 ... 3000	
Standard profile finishing (note minimum length, p. 2-11)		M6 / D5.8 / D8 / DB8	
Customized profile finishing (L <sub>max</sub> = 2300 mm)		DI / DIS / MT / MTS / MI / MIS / DG <sup>1)</sup>	

<sup>1)</sup> DG<sub>max</sub> = 45°; L<sub>min1</sub> / L<sub>min2</sub> = 335 / 370 mm

**20x20 3N**

A = 1,7 cm<sup>2</sup>  
 I<sub>x</sub> = 0,7 cm<sup>4</sup>  
 I<sub>y</sub> = 0,8 cm<sup>4</sup>  
 W<sub>x</sub> = 0,7 cm<sup>3</sup>  
 W<sub>y</sub> = 0,7 cm<sup>3</sup>  
 m = 0,5 kg/m



19172

Cover cap: See 20x20

<b>20x20 3N</b>		<b>L (mm)</b>	<b>No.</b>
1 pcs		50 ... 3000	<b>3 842 992 889 / L</b>
20 pcs		3000	<b>3 842 517 180</b>

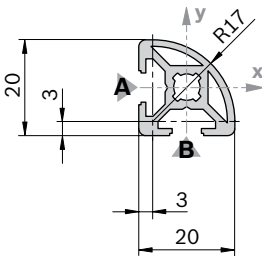
**Quick & Easy** (p. 2-8, see fold-out section)

<b>20x20 3N</b>		<b>3 842 993 693 / ...</b>	
Length L (mm)		50 ... 3000	
Standard profile finishing (note minimum length, p. 2-11)		M6 / D5.8 / D8 / DB8	
Customized profile finishing (L <sub>max</sub> = 2300 mm)		DI / DIS / MT / MTS / MI / MIS / DG <sup>1)</sup>	

<sup>1)</sup> DG<sub>max</sub> = 45°; L<sub>min1</sub> / L<sub>min2</sub> = 335 / 370 mm

**20x20 R**

A = 1,6 cm<sup>2</sup>  
 I<sub>x</sub> = 0,6 cm<sup>4</sup>  
 I<sub>y</sub> = 0,6 cm<sup>4</sup>  
 W<sub>x</sub> = 0,5 cm<sup>3</sup>  
 W<sub>y</sub> = 0,5 cm<sup>3</sup>  
 m = 0,4 kg/m



19173

<b>Cover cap</b>	<b>Color</b>	<b>ESD</b>		<b>No.</b>
<b>20x20 R (1x)</b>	Signal gray		20	<b>3 842 548 826</b>
<b>20x20 R (1x)</b>	Black		20	<b>3 842 548 827</b>

Material: PP

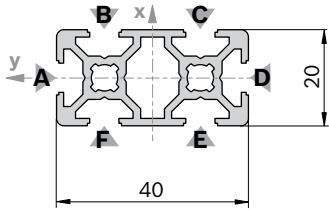
<b>20x20 R</b>		<b>L (mm)</b>	<b>No.</b>
1 pcs		50 ... 3000	<b>3 842 992 890 / L</b>
20 pcs		3000	<b>3 842 517 183</b>

**Quick & Easy** (p. 2-8, see fold-out section)

<b>20x20 R</b>		<b>3 842 993 695 / ...</b>	
Length L (mm)		50 ... 3000	
Standard profile finishing (note minimum length, p. 2-11)		M6	
Customized profile finishing (L <sub>max</sub> = 2300 mm)		—	

**20x40**

A = 2,9 cm<sup>2</sup>  
 $I_x = 4,6 \text{ cm}^4$   
 $I_y = 1,2 \text{ cm}^4$   
 $W_x = 2,5 \text{ cm}^3$   
 $W_y = 1,4 \text{ cm}^3$   
 m = 0,8 kg/m



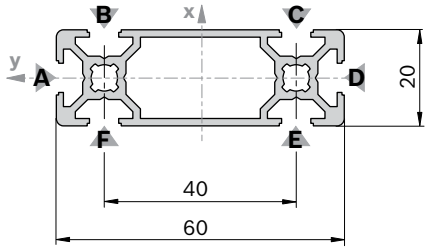
19174

Cover cap	Color	ESD	No.
20x20 (2x)	Signal gray		100 <b>3 842 548 742</b>
20x20 (2x)	Black		20 <b>3 842 548 743</b>

Material: PP

**20x60**

A = 3,5 cm<sup>2</sup>  
 $I_x = 14,2 \text{ cm}^4$   
 $I_y = 1,7 \text{ cm}^4$   
 $W_x = 4,7 \text{ cm}^3$   
 $W_y = 1,7 \text{ cm}^3$   
 m = 0,9 kg/m



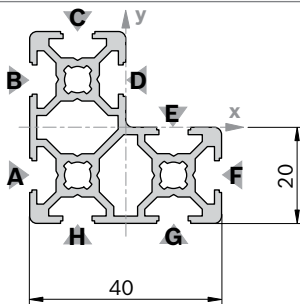
19175

Cover cap	Color	ESD	No.
20x60 (1x)	Signal gray		20 <b>3 842 548 828</b>
20x60 (1x)	Black		20 <b>3 842 548 829</b>

Material: PP

**20x40x40**

A = 4,2 cm<sup>2</sup>  
 $I_x = 6,0 \text{ cm}^4$   
 $I_y = 6,0 \text{ cm}^4$   
 $W_x = 2,6 \text{ cm}^3$   
 $W_y = 2,6 \text{ cm}^3$   
 m = 1,1 kg/m



19176

Cover cap	Color	ESD	No.
20x20 (3x)	Signal gray		100 <b>3 842 548 742</b>
20x20 (3x)	Black		20 <b>3 842 548 743</b>

Material: PP

20x40	L (mm)	No.
1 pcs	50 ... 3000	<b>3 842 992 891 / L</b>
1 pcs	50 ... 3000	<b>3 842 993 497 / L</b>
1 pcs	50 ... 3000	<b>3 842 993 499 / L</b>
1 pcs	50 ... 3000	<b>3 842 993 500 / L</b>
1 pcs	50 ... 3000	<b>3 842 993 498 / L</b>
1 pcs	50 ... 3000	<b>3 842 993 501 / L</b>
24 pcs	3000	<b>3 842 537 816</b>

Profile finishing: D8: in slots B/F, C/E  
 D8V: in slots A/D

**Quick & Easy** (p. 2-8, see fold-out section)

20x40	3 842 993 696 / ...
Length L (mm)	50 ... 3000
Standard profile finishing (note minimum length, p. 2-11)	M6 / D5.8 / D8 / DB8
Customized profile finishing (L <sub>max</sub> = 2300 mm)	DI / DIS / MT / MTS / MI / MIS / DG <sup>1)</sup>

<sup>1)</sup> DG<sub>max</sub> = 45°; L<sub>min1</sub> / L<sub>min2</sub> = 370 / 440 mm

20x60	L (mm)	No.
1 pcs	50 ... 3000	<b>3 842 992 992 / L</b>
16 pcs	3000	<b>3 842 537 819</b>

**Quick & Easy** (p. 2-8, see fold-out section)

20x60	3 842 993 698 / ...
Length L (mm)	50 ... 3000
Standard profile finishing (note minimum length, p. 2-11)	M6 / D5,8 (B,C,E,F) <sup>1)</sup> / D8 (B,C,E,F) <sup>1)</sup> / DB8
Customized profile finishing (L <sub>max</sub> = 2300 mm)	DI / DIS / MT / MTS / MI / MIS / DG <sup>2)</sup>

<sup>1)</sup> For the specified slots

<sup>2)</sup> DG<sub>max</sub> = 45°; L<sub>min1</sub> / L<sub>min2</sub> = 404 / 508 mm

20x40x40	L (mm)	No.
1 pcs	50 ... 3000	<b>3 842 992 991 / L</b>
16 pcs	3000	<b>3 842 537 818</b>

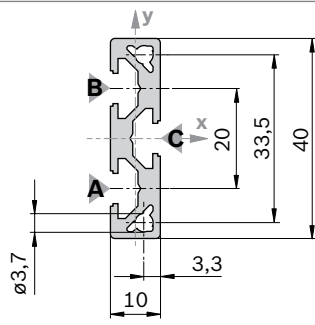
**Quick & Easy** (p. 2-8, see fold-out section)

20x40x40	3 842 993 697 / ...
Length L (mm)	50 ... 3000
Standard profile finishing (note minimum length, p. 2-11)	M6 / D5.8 / D8 / DB8
Customized profile finishing (L <sub>max</sub> = 2300 mm)	DI / DIS / MT / MTS / MI / MIS / DG <sup>1)</sup>

<sup>1)</sup> DG<sub>max</sub> = 45°; L<sub>min1</sub> / L<sub>min2</sub> = 370 / 440 mm

**10x40**

A = 2,1 cm<sup>2</sup>  
 I<sub>x</sub> = 3,2 cm<sup>4</sup>  
 I<sub>y</sub> = 0,2 cm<sup>4</sup>  
 W<sub>x</sub> = 1,6 cm<sup>3</sup>  
 W<sub>y</sub> = 0,4 cm<sup>3</sup>  
 m = 0,6 kg/m



Cover cap	Color	ESD	No.
10x40 (1x)	Signal gray	20	3 842 548 766
10x40 (1x)	Black	20	3 842 548 767

Material: PP

10x40	L (mm)	No.
1 pcs	50 ... 3000	3 842 993 077 / L
10 pcs	3000	3 842 526 817

**Quick & Easy** (p. 2-8, see fold-out section)

10x40	3 842 993 683 / ...
Length L (mm)	50 ... 3000
Standard profile finishing (note minimum length, p. 2-11)	D5.8/D8
Customized profile finishing	—