

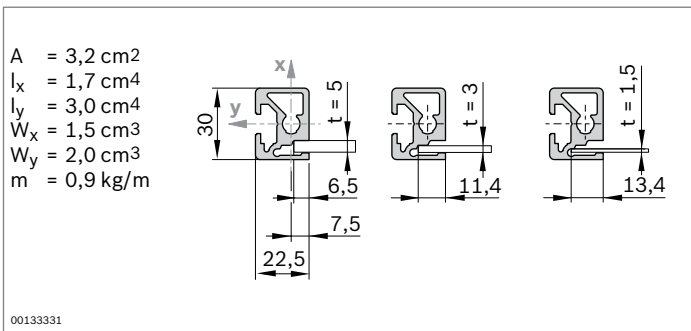
**Frame profile 22.5x30**



- ▶ For inexpensive construction of trays and material shelves
- ▶ Surface elements are mounted under tension so that they do not rattle

Optional accessories:

- ▶ Bracket set M6 (p. 3-29)
- ▶ Swivel fastening (p. 4-10)
- ▶ Lettering clip for 8 mm slot (p. 2-86)
- ▶ Plate (p. 2-62)

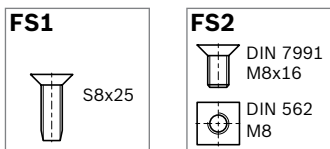
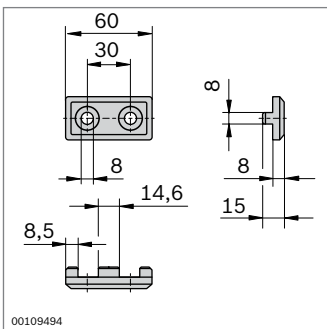


Frame profile 22.5x30	Groove	L (mm)	No.
1 pcs	8	50 ... 5600	<b>3 842 992 493 / L</b>
20 pcs	8	5600	<b>3 842 515 229</b>

Material: aluminum, anodized

Cover cap	Color	ESD	No.
<b>22.5x30</b>	Signal gray	20	<b>3 842 551 564</b>
<b>22.5x30</b>	Black	20	<b>3 842 551 565</b>

Material: PP



**Corner piece for frame profile 22.5x30**

- ▶ For the right-angled connection of two 22.5x30 frame profiles
- ▶ Profile finishing not required

Corner piece	Color	ESD	No.	FS
<b>22.5x30</b>	Signal gray	20	<b>3 842 554 708</b>	FS1, FS2
<b>22.5x30</b>	Black	20	<b>3 842 554 709</b>	FS1, FS2

Material: PA  
 Scope of delivery: incl. fastening material (FS)