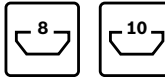
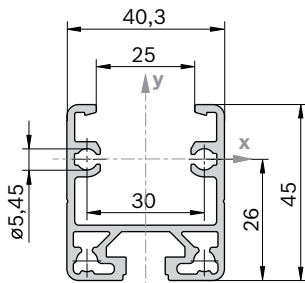


Profiles for installing conveyor media



- Profiles which are normally used to construct TS 2plus and TS 4 transfer systems and lean conveyor tracks are also suitable for the construction of manual conveyor sections. Detailed information can be found in chapter 12 “Elements for manual movement” and in the respective special catalogs

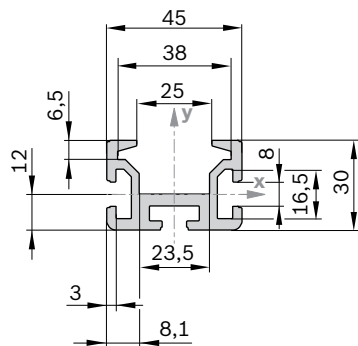
U-profile
 $A = 4,4 \text{ cm}^2$
 $I_x = 10,4 \text{ cm}^4$
 $I_y = 8,3 \text{ cm}^4$
 $W_x = 4,6 \text{ cm}^3$
 $W_y = 4,1 \text{ cm}^3$
 $m = 1,2 \text{ kg/m}$



U-profile	Groove	L (mm)	ESD No.
1 pcs	10	50 ... 6000	3 842 993 316 / L
20 pcs	10	6070	3 842 535 115
1 pcs	10	50 ... 6000	3 842 995 027 / L
20 pcs	10	6070	3 842 541 814

Material: U-profile: aluminum, anodized
 U-profile ESD: aluminum, untreated

SP 2/R
 $A = 5,2 \text{ cm}^2$
 $I_x = 4,3 \text{ cm}^4$
 $I_y = 11,7 \text{ cm}^4$
 $W_x = 2,4 \text{ cm}^3$
 $W_y = 5,2 \text{ cm}^3$
 $m = 1,4 \text{ kg/m}$

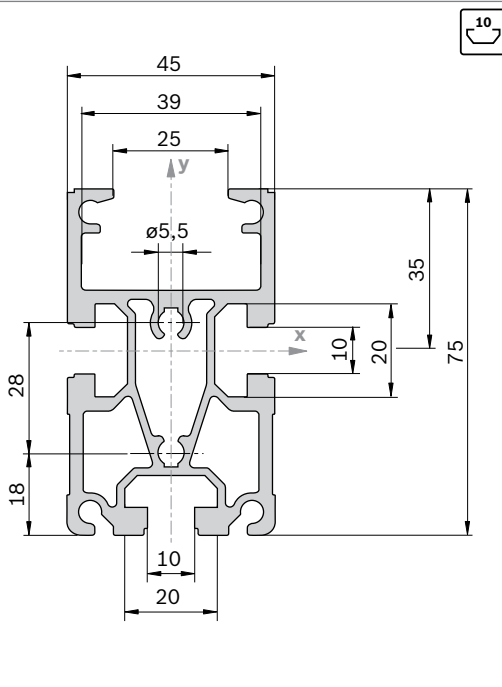


Section profile SP 2/R	L (mm)	No.
	50 ... 6000	3 842 992 676

Material: aluminum, natural-colored, anodized

SP 2/B

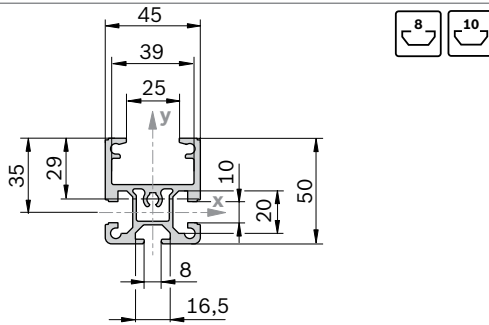
A = 10,4 cm²
 I_x = 49,6 cm⁴
 I_y = 25,8 cm⁴
 W_x = 12,1 cm³
 W_y = 11,5 cm³
 m = 2,8 kg/m



19903

SP 2/B-50

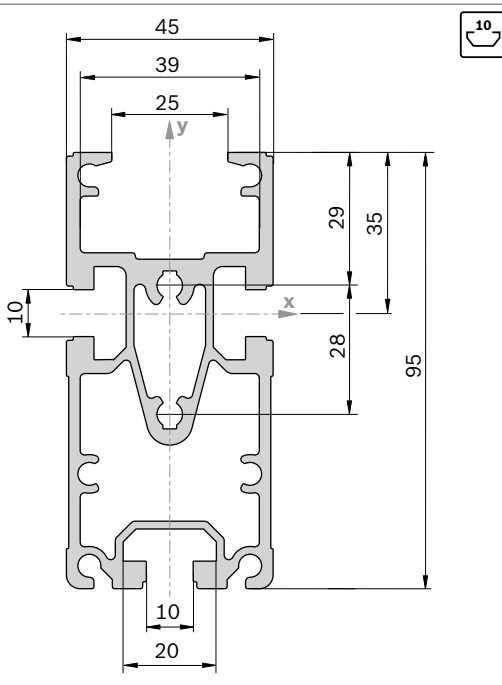
A = 6,9 cm²
 I_x = 16,1 cm⁴
 I_y = 16,9 cm⁴
 W_x = 5,3 cm³
 W_y = 7,5 cm³
 m = 1,9 kg/m



19904

SP 2/B-100

A = 11,9 cm²
 I_x = 95,1 cm⁴
 I_y = 30,4 cm⁴
 W_x = 20,0 cm³
 W_y = 13,5 cm³
 m = 3,2 kg/m



19905

Section profile SP 2/B	Groove	L (mm)	No.
1 pcs		10	200 ... 6000 3 842 992 884 / L
16 pcs		10	6070 3 842 532 695

Material: aluminum, natural-colored, anodized

2

Section profile SP 2/B-50	Groove	L (mm)	No.
1 pcs		8 / 10	200...6000 3 842 992 903 / L
20 pcs		8 / 10	6070 3 842 532 697

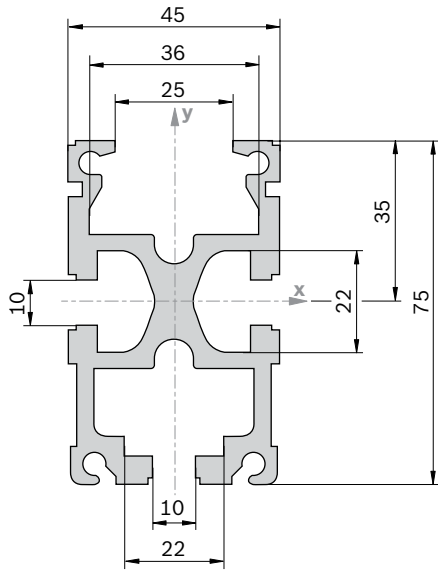
Material: aluminum, natural-colored, anodized

Section profile SP 2/B-100	Groove	L (mm)	No.
1 pcs		10	200...6000 3 842 993 259 / L
16 pcs		10	6070 3 842 532 608

Material: aluminum, natural-colored, anodized

SP 2/BH

A = 12,4 cm²
 $I_x = 53,7 \text{ cm}^4$
 $I_y = 28,6 \text{ cm}^4$
 $W_x = 14,0 \text{ cm}^3$
 $W_y = 13,8 \text{ cm}^3$
 m = 3,3 kg/m



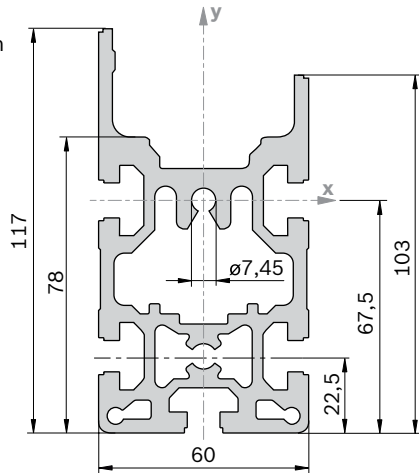
19906

Section profile SP 2/BH	Groove	L (mm)	No.
1 pcs		10	200 ... 6000 3 842 990 409 / L
16 pcs		10	6070 3 842 532 696

Material: aluminum, natural-colored, anodized

SP 4/R

A = 26,1 cm²
 $I_x = 222,0 \text{ cm}^4$
 $I_y = 95,5 \text{ cm}^4$
 $W_x = 84,9 \text{ cm}^3$
 $W_y = 16,4 \text{ cm}^3$
 m = 3,5 kg/m



19907

Section profile SP 4/R	Groove	L (mm)	No.
10 pcs		10	6000 3 842 532 505

Material: aluminum, natural-colored, anodized