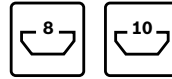
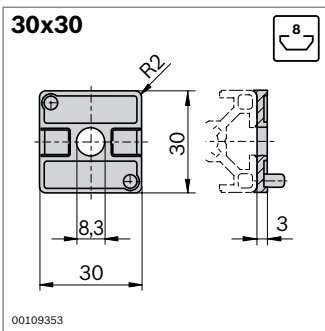


### Radial compensation

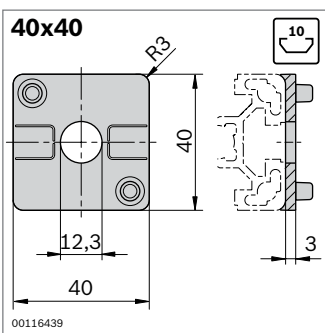


- ▶ To avoid gaps and sharp edges on T-connections between two profiles using a central bolt or quick connector (note spacing of hole from the face of the profile)
- ▶ The slot segments can be broken out in order to fix surface elements in the slot
- ▶ Important note: the load carrying capacity of the profile connection is reduced when using radial compensation (see “Technical data”, page 19-10)!



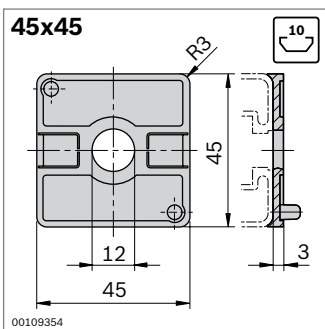
Radial compensation	Groove	No.	No.
<b>30x30</b>	8	10	<b>3 842 551 026</b>

Material: PA; signal gray RAL 7004



Radial compensation	Groove	No.	No.
<b>40x40</b>	10	10	<b>3 842 551 028</b>

Material: PA; signal gray RAL 7004



Radial compensation	Groove	No.	No.
<b>45x45</b>	10	10	<b>3 842 551 030</b>

Material: PA; signal gray RAL 7004