

### Rubber profile Cloth holder

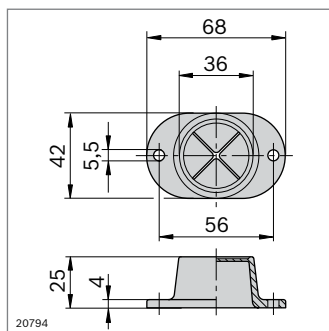
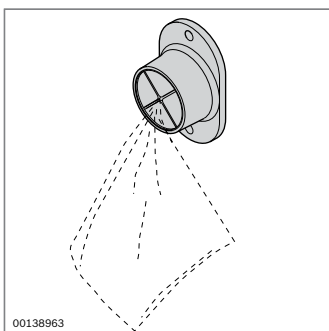


#### Rubber profile

- ▶ To avoid hard abutting edges, for instance when setting down impact-sensitive products
- ▶ For use as footrest to clip onto the cross strut of the workstation from the top and front
- ▶ Really simple and inexpensive
- ▶ Suitable for the construction of ESD workstations

Rubber profile	L (mm)	ESD	No.
	30 ... 2000		1 <b>3 842 994 979 / L</b>
	2000		10 <b>3 842 537 135</b>

Material: EPDM; conduction resistance  
RA = 1x10<sup>3</sup> – 1x10<sup>9</sup> Ω



### Screwed-on cloth holder

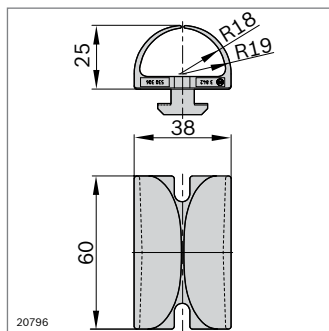
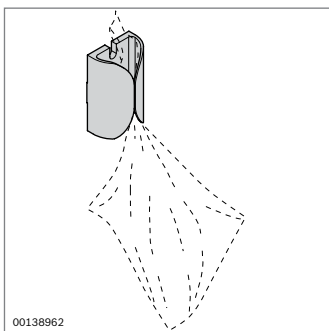
- ▶ For hanging cleaning cloths

Required accessories:

- ▶ T-nut, 10 mm slot, M5 (**3 842 530 283**) (p. 3-4)
- ▶ Screw DIN 7984 M5x12

Screwed-on cloth holder	No.
	<b>1 845 719 000</b>

Material: PE; black



### Cloth holder with clamp base

- ▶ With injection molded clamp base for direct assembly on strut profile with 10 mm slot
- ▶ Can also be used as a cable guide

Cloth holder with clamp base	No.
	<b>3 842 530 306</b>

Material: PA6, black