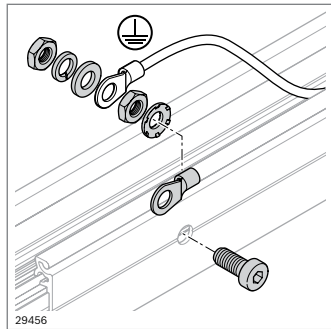


Cable hole

- For passing cables through within the cover

Cable hole		No.
40	10	3 842 553 973
80	10	3 842 553 974

Material: PP; signal gray RAL 7004



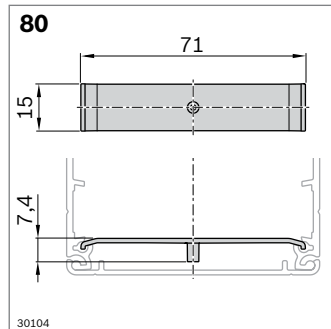
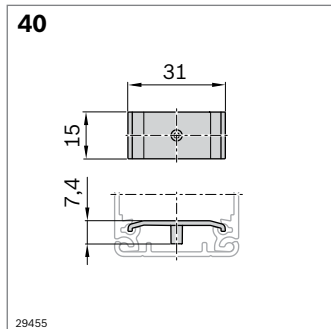
Potential equalizer

- DIN VDE 0100-410 compliant:
- For connecting the cable duct to an earthed protective conductor

Potential equalizer		No.
10	10	3 842 552 263

Material: steel; galvanized

Scope of delivery: Grounding wire not available



Cable holder

- For fixing the cable in the cable duct in the case of overhead mounting
- Recommendation: insert every 200 mm

Cable holder		No.
40	10	3 842 552 265
80	10	3 842 552 266

Material: PA6; signal gray RAL 7004