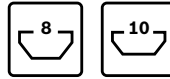


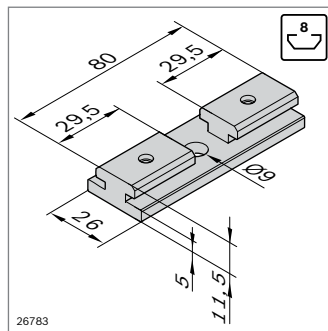
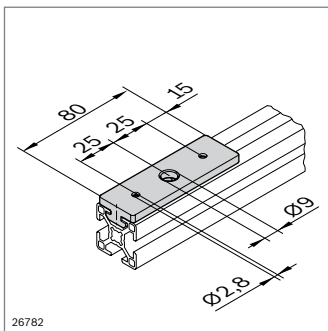
### Slider, flat lockable




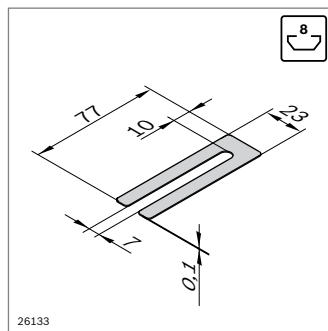
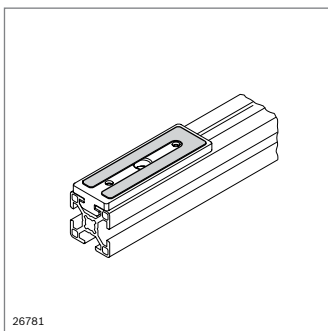
- ▶ Suitable for clamping using a sliding block and a clamping lever
- ▶ For constructing low-wear guides


Accessories:

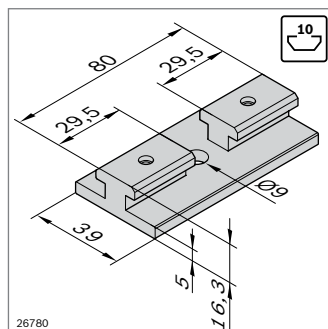
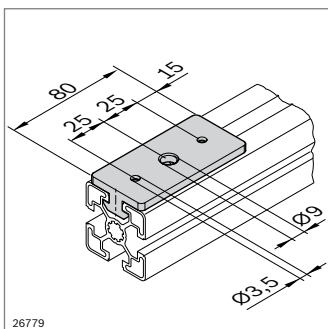
- ▶ Sliding blocks (p. 3-7)
- ▶ Clamping element (p. 4-11)




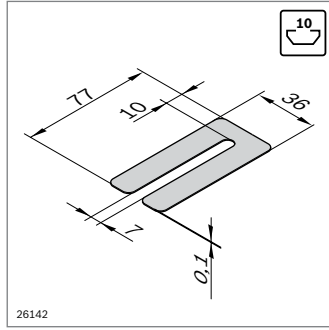
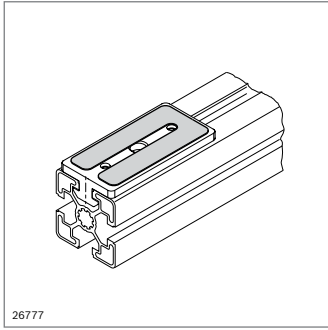
Slider, flat lockable	Slot		No.
	8	1	<b>3 842 552 423</b>
Material:	POM; natural		
Accessories:	Sliding block, T-nut, slot 8 (M8), 3 842 514 931, p. 3-7		




Spacer washer	Slot		No.
77x23	8	4	<b>8 981 535 891</b>
Material:	steel, plain		

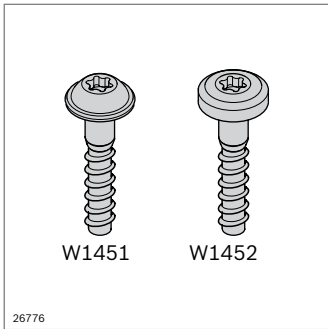



Slider, flat lockable	Slot		No.
	10	1	<b>3 842 552 424</b>
Material:	POM; natural		
Accessories:	Sliding block, T-nut, slot 10 (M8), 3 842 528 735, p. 3-7		



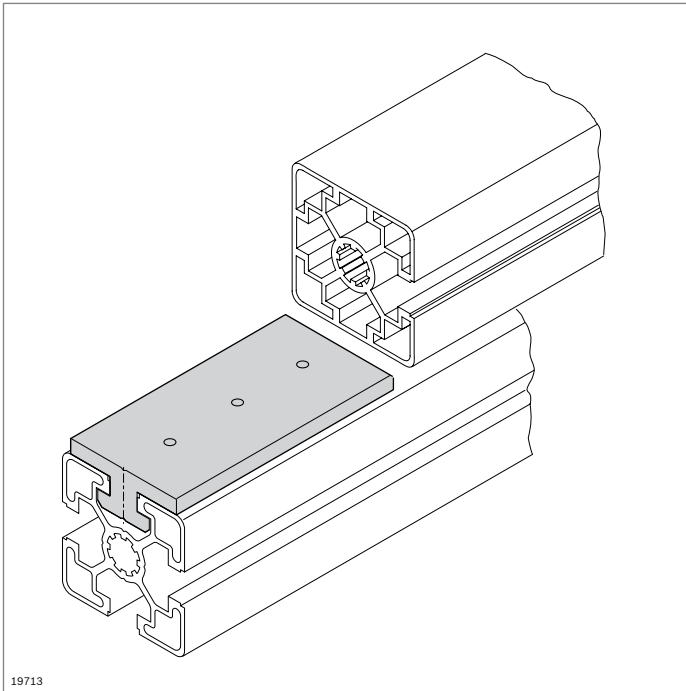
<b>Spacer washer</b>	<b>Slot</b>		<b>No.</b>
77x36	10	4	<b>8 981 535 890</b>

Material: steel, plain



<b>Plastic self-tapping screw</b>	<b>Slot</b>		<b>No.</b>
W1451 - 3.5x14 - 10.9	8	10	<b>3 842 552 421</b>
W1452 - 4x18 - 10.9	10	10	<b>3 842 552 422</b>

Material: steel; galvanized



## Slider for profiles

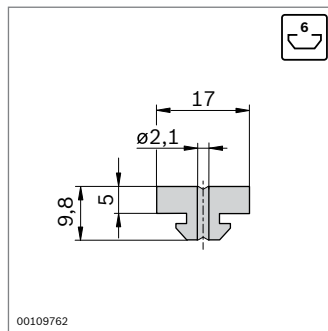
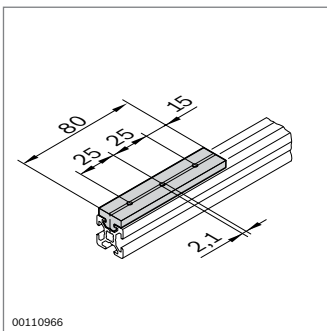


### Slider

- For the construction of low-wear guides, e.g. for manual sliding and sliding and lifting doors, as well as drawer slides

Optional accessories:

Sheet metal screws for fastening the slider in a profile slot



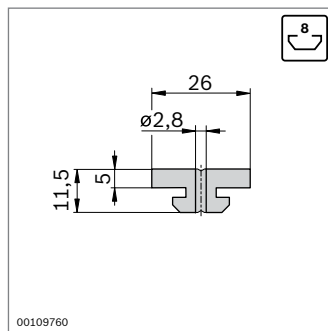
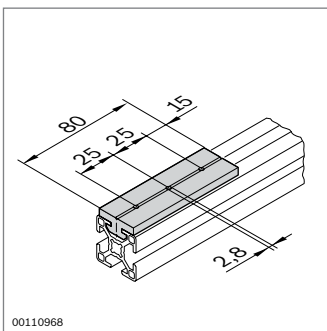
### Slider, flat



No.

10 **3 842 523 213**

Material: POM; natural



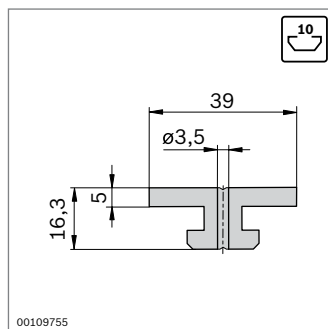
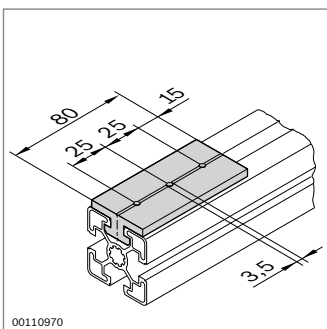
### Slider, flat



No.

10 **3 842 523 212**

Material: POM; natural



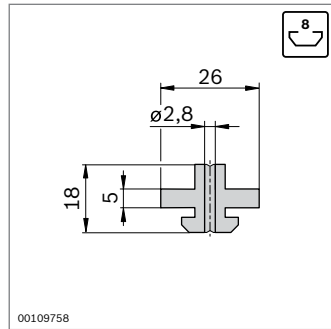
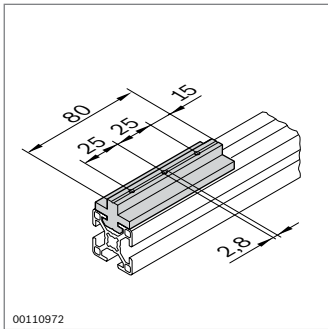
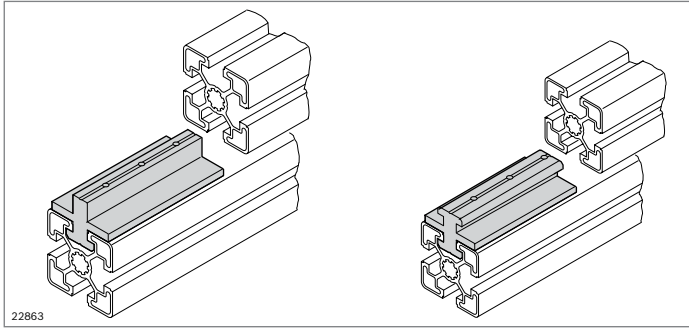
### Slider, flat



No.

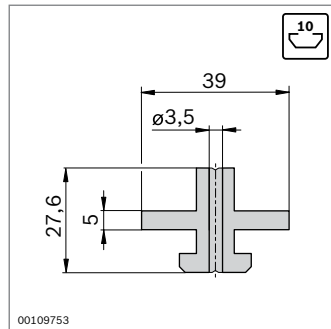
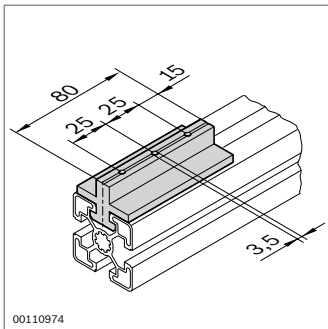
10 **3 842 530 329**

Material: POM; natural



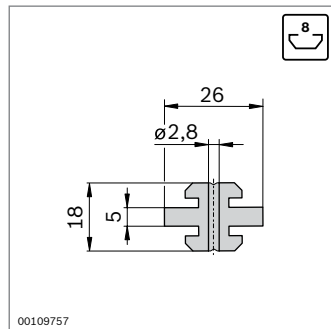
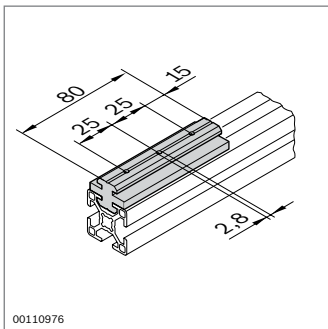
Slider, center	No.
	10 3 842 523 210

Material: POM; natural



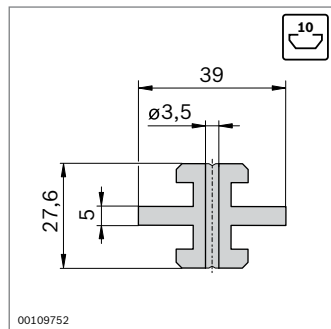
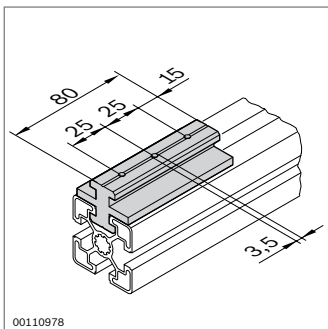
Slider, center	No.
	10 3 842 523 206

Material: POM; natural



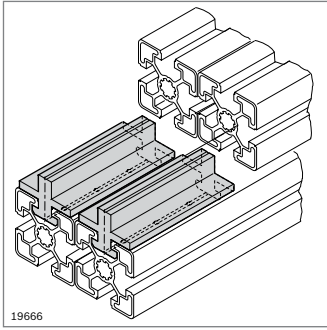
Slider, center	No.
	10 3 842 523 209

Material: POM; natural



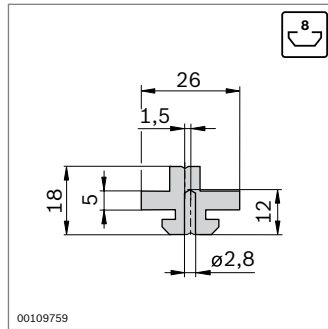
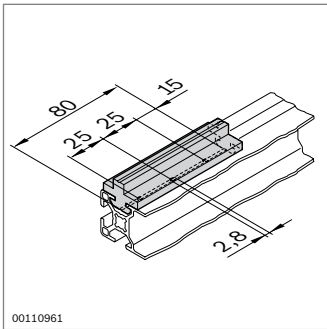
Slider, center	No.
	10 3 842 523 205

Material: POM; natural



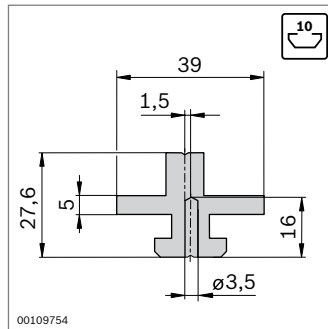
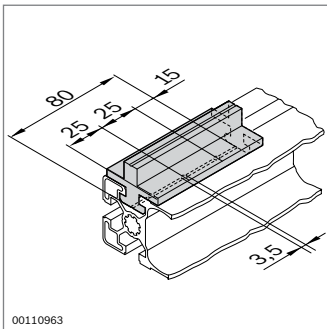
**Offset sliders**

► For constructing multiple sliding doors



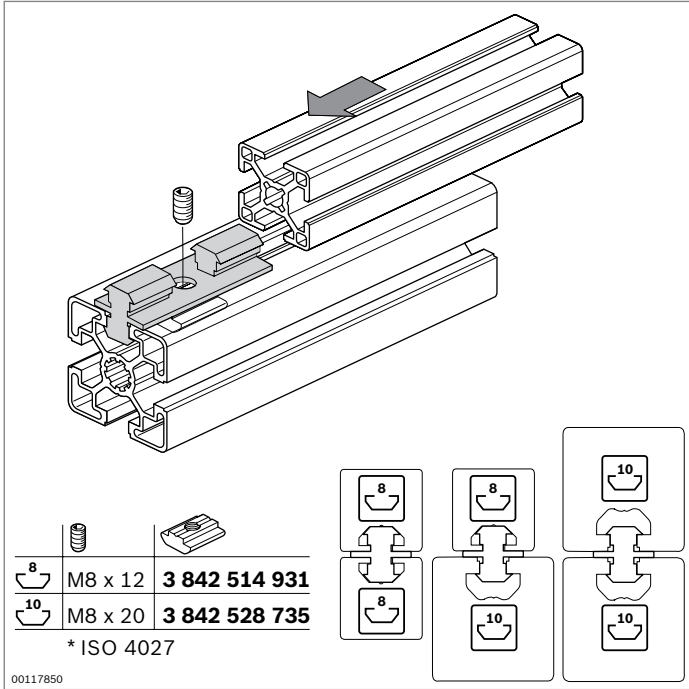
Slider, offset	No.
	10 <b>3 842 523 211</b>

Material: POM; natural

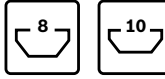


Slider, offset	No.
	10 <b>3 842 523 207</b>

Material: POM; natural



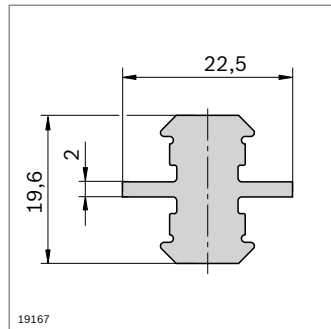
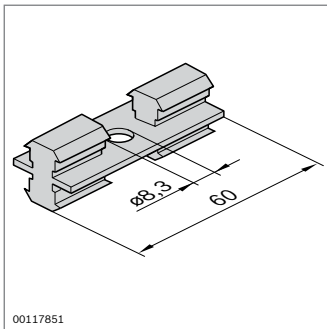
## Multi-sliders



- ▶ Multi-slider for constructing low-wear guides
- ▶ Suitable for all profiles with 8 mm and 10 mm slot widths
- ▶ Combination of profiles with different slot widths possible

Accessories:

grub screws (ISO 4027) and sliding blocks (p. 3-7) for fastening the slider in the profile slot



### Multi-slider 8/10



No.

10 **3 842 513 517**

Material: POM; natural