

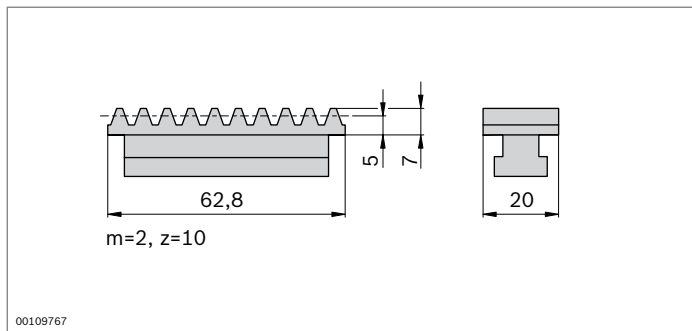
Rack pinion



- For constructing synchronous shafts to prevent tilting in the case of large guide widths

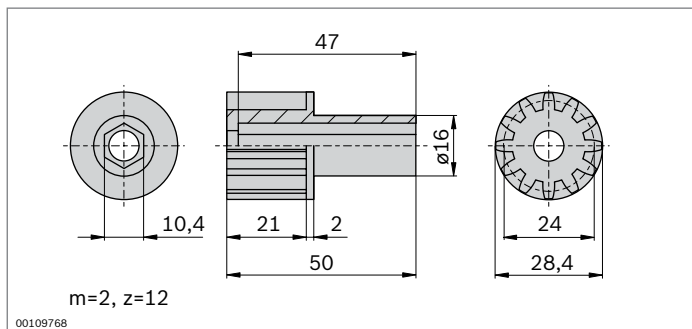
Required accessories:

- standard commercially available hexagonal shaft 10H9
- sliding block for securing the rack in the slot (p. 3-7)



Rack	No.
10	3 842 501 578

Material: PA; black



Pinion	No.
	3 842 501 576

Material: POM, white