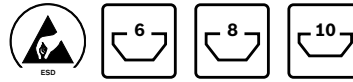
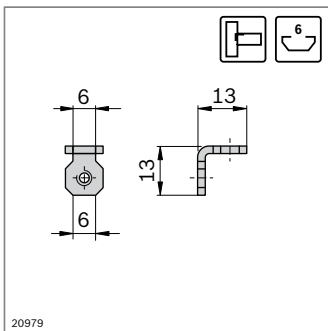


Inner bracket



- ▶ For elegant, easy-to-assemble profile connections
- ▶ Especially suitable for constructing frames for doors, protective grilles, or partition walls
- ▶ The inner bracket, 6 mm slot, can also be used as an inner bracket R, 6 mm slot
- ▶ Profile finishing: not required

Technical data (p. 19-8)

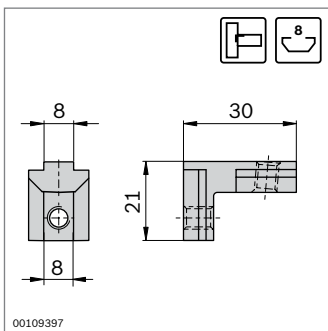


FS1

 DIN 915
 M4x6

Inner bracket	Slot	ESD		No.	FS
	6 / 6		10	3 842 535 574	2xFS1

Material: sheet steel; galvanized
 Fastening material: steel; galvanized
 Scope of delivery: incl. fastening material (FS)



Slot

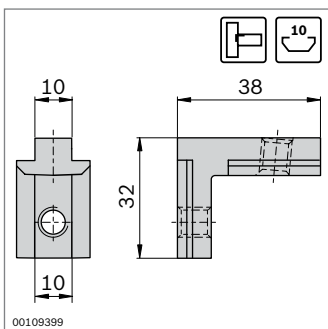
 8 / 8 2200 N 50 Nm

FS2

 DIN 913
 M6x8

Inner bracket	Slot	ESD		No.	FS
	8 / 8		10	3 842 535 578	2xFS2

Material: cast steel; galvanized
 Fastening material: steel; galvanized
 Scope of delivery: incl. fastening material (FS)



Slot

 10 / 10 2800 N 100 Nm

FS3

 DIN 913
 M8x12

Inner bracket	Slot	ESD		No.	FS
	10 / 10		10	3 842 535 572	2xFS3

Material: cast steel; galvanized
 Fastening material: steel; galvanized
 Scope of delivery: incl. fastening material (FS)