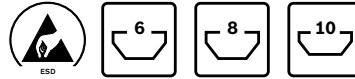
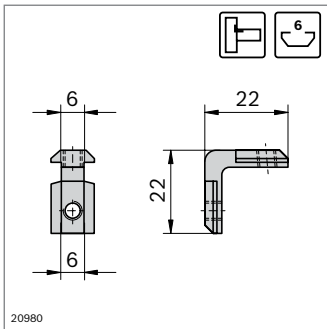


### Inner bracket R



- ▶ For elegant, easy-to-assemble profile connections
- ▶ Especially suitable for constructing frames for doors, protective grilles, or partition walls
- ▶ Profile finishing: not required

Technical data (p. 19-8)

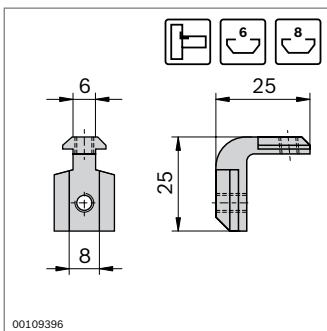


Slot	$F_{max}$	$M_{max}$
6 / 6	600 N	10 Nm



Inner bracket R	Slot	ESD	No.	FS
	6 / 6		10	3 842 535 575 2xFS1

Material: cast steel; galvanized  
Fastening material: steel; galvanized  
Scope of delivery: incl. fastening material (FS)

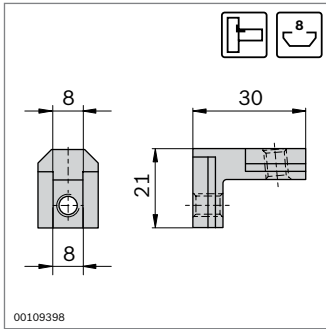


Slot	$F_{max}$	$M_{max}$
6 / 8	600 N	10 Nm

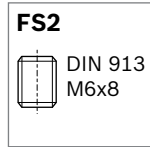


Inner bracket R	Slot	ESD	No.	FS
	6 / 8		10	3 842 535 573 2xFS1

Material: cast steel; galvanized  
Fastening material: steel; galvanized  
Scope of delivery: incl. fastening material (FS)

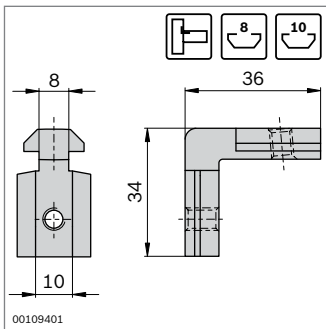


Slot	$F_{max}$	$M_{max}$
8 / 8	2500 N	50 Nm

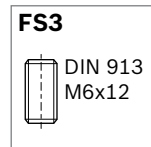
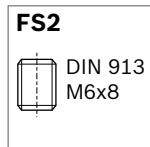


Inner bracket R	Slot	ESD	No.	FS
	8 / 8		10	<b>3 842 535 577</b> 2xFS2

Material: cast steel; galvanized  
Fastening material: steel; galvanized  
Scope of delivery: incl. fastening material (FS)

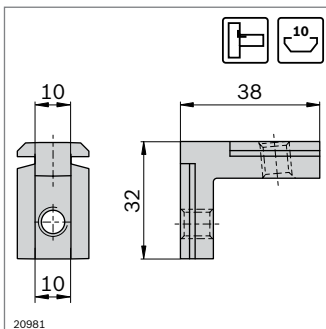


Slot	$F_{max}$	$M_{max}$
8 / 10	2500 N	50 Nm

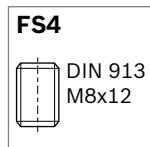


Inner bracket R	Slot	ESD	No.	FS
	8 / 10		10	<b>3 842 535 576</b> FS2, FS3

Material: cast steel; galvanized  
Fastening material: steel; galvanized  
Scope of delivery: incl. fastening material (FS)



Slot	$F_{max}$	$M_{max}$
10 / 10	3000 N	100 Nm



Inner bracket R	Slot	ESD	No.	FS
	10 / 10		10	<b>3 842 535 571</b> 2xFS4

Material: cast steel; galvanized  
Fastening material: steel; galvanized  
Scope of delivery: incl. fastening material (FS)