

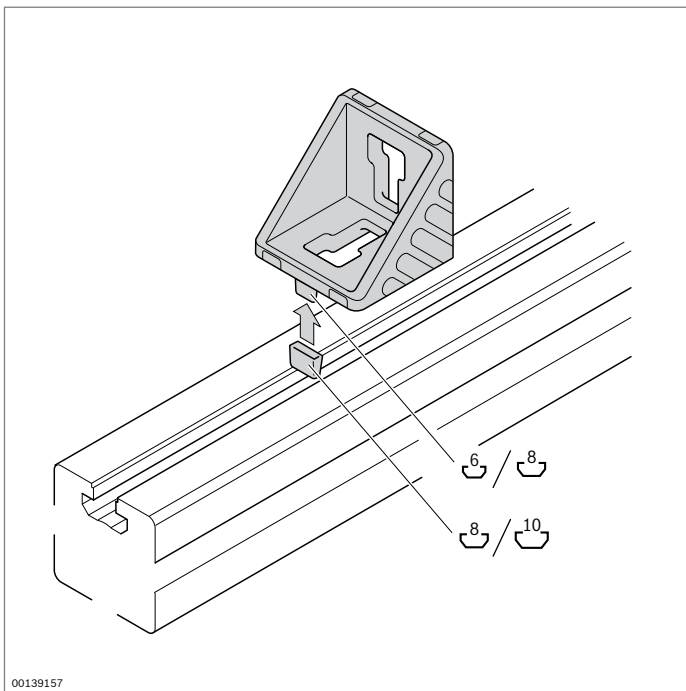
Bracket

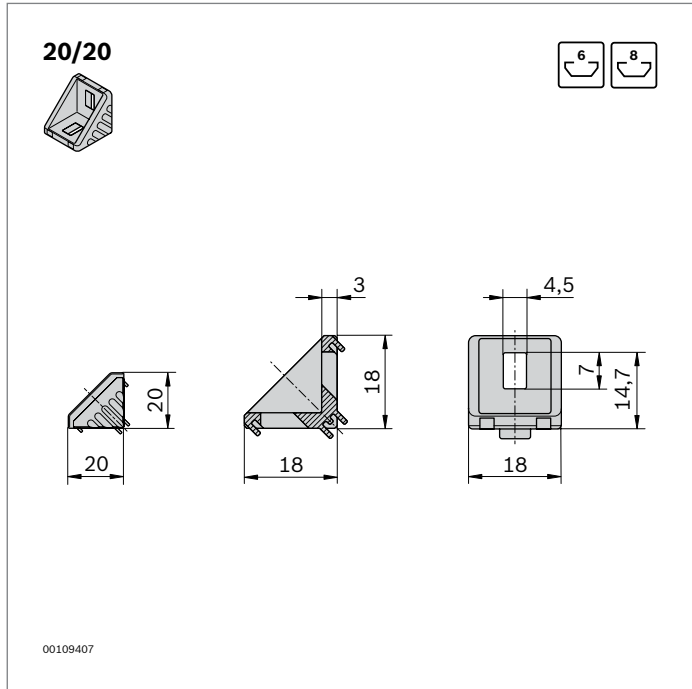


- ▶ Brackets with centering lugs for rapid, precise assembly with protection against turning
- ▶ Centering lugs can be easily broken off for assembly on plates or at right angles to the slot
- ▶ *designLINE* version with special silver paint (RAL 9006) for an attractive, high-quality design
- ▶ Intermediate element for positioning brackets in the next largest slot
- ▶ Offset sliding block for off-center positioning of the 45/45 bracket
- ▶ Cover cap to protect from dirt, available in signal gray (RAL 7004) and black ESD (RAL 9005)
- ▶ Profile finishing: not required

Technical data (p. 19-9)

Note: The collar screws enable the brackets to be assembled really quickly and easily (p. 3-5)



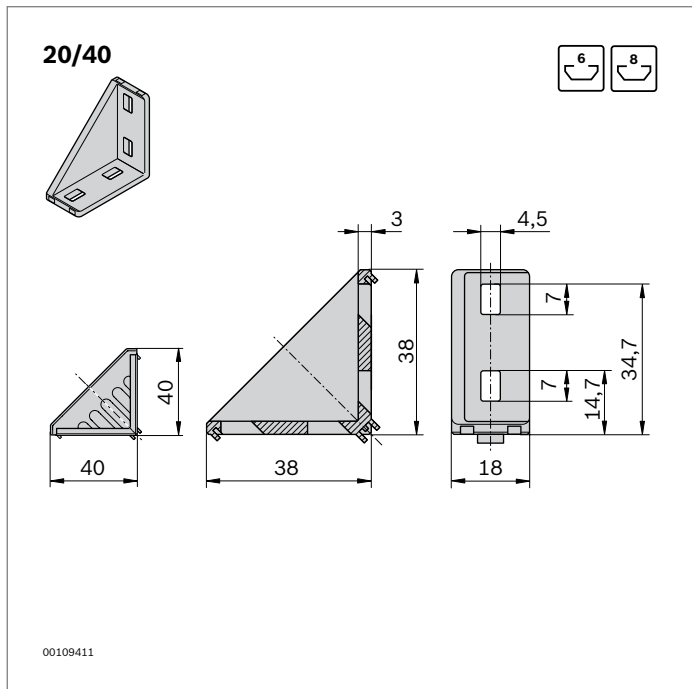


Type				
20/20	700 N	6 Nm	25 Nm	–

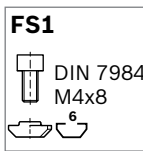
20/20	Slot	ESD		No.	FS
Set (standard)	6 / 6		1	3 842 523 511	2xFS1
<i>designLINE</i> set	6 / 6		1	3 842 551 596	2xFS1
Bracket (standard)	6		100	3 842 523 508	
Cover cap, signal gray			100	3 842 548 842	
Cover cap, black			20	3 842 548 843	
Intermediate element for 8 mm slot	6 / 8		100	3 842 523 516	

Material: Bracket: Diecast aluminum, vibratory ground
designLINE bracket: painted (RAL 9006)
 Adapter: PA; black
 Cover cap: PP
 Fastening material: steel; galvanized

Scope of delivery: set incl. fastening material (FS)



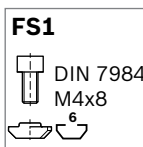
Type				
20/40	1400 N	15 Nm	50 Nm	8 Nm

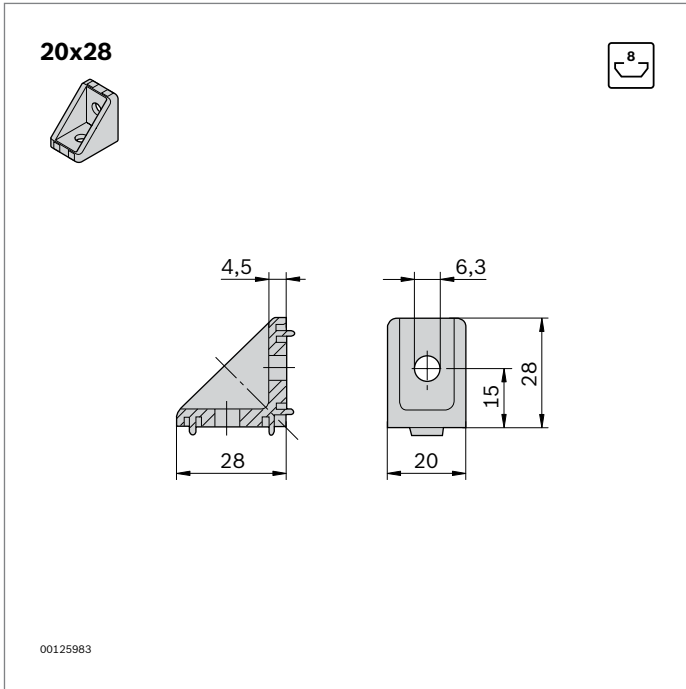


20/40	Slot	ESD		No.	FS
Set (standard)	6 / 6		1	3 842 523 520	4xFS1
<i>designLINE</i> set	6 / 6		1	3 842 551 597	4xFS1
Bracket (standard)	6		20	3 842 523 517	
Cover cap, signal gray			20	3 842 548 844	
Cover cap, black			20	3 842 548 845	
Adapter for 8 mm slot	6 / 8		100	3 842 523 516	

Material: Bracket: Diecast aluminum, vibratory ground
designLINE bracket: painted (RAL 9006)
 Adapter: PA; black
 Cover cap: PP
 Fastening material: steel; galvanized

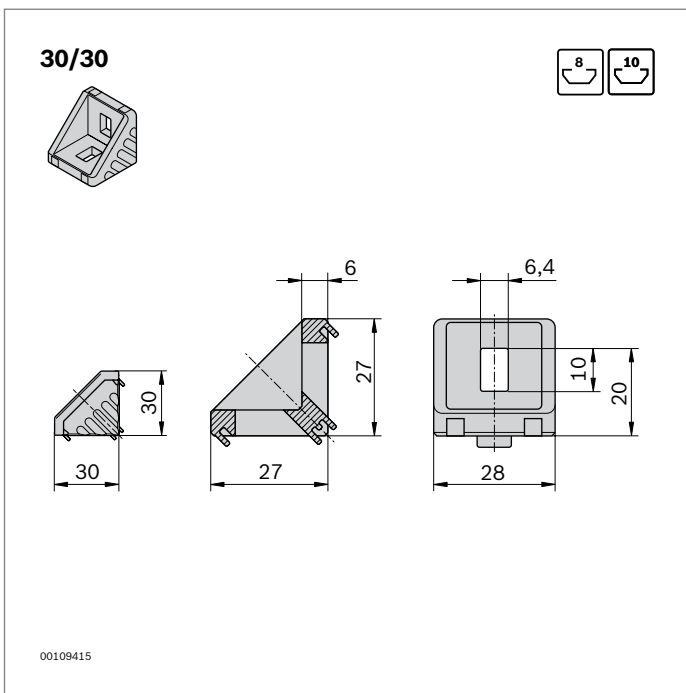
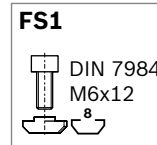
Scope of delivery: set incl. fastening material (FS)





20x28	Slot	ESD	No.	FS
Set (standard)	8 / 8		1 3 842 502 137	2xFS1
Bracket (standard)	8		100 3 842 501 587	

Material: diecast zinc
 Fastening material: steel; galvanized
 Scope of delivery: set incl. fastening material (FS)

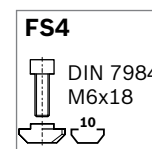
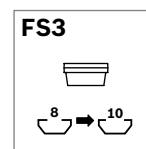
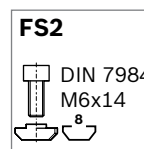


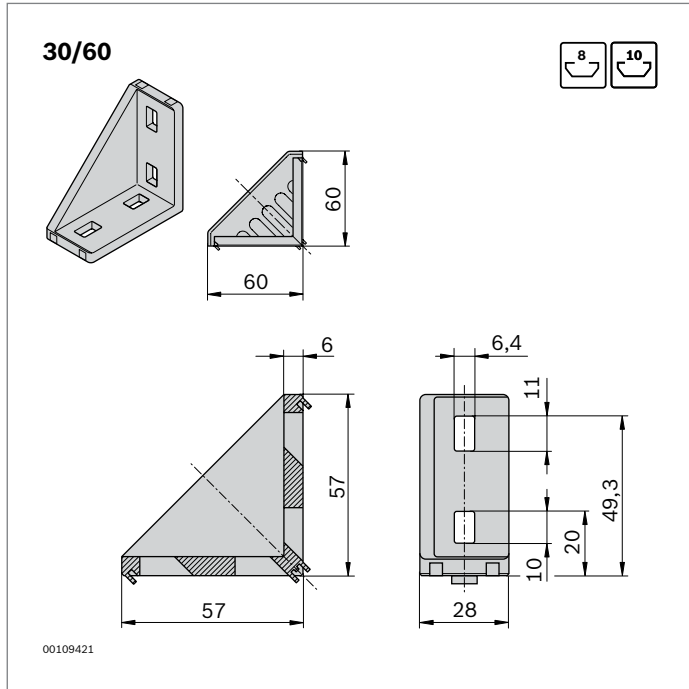
30/30	Slot	ESD	No.	FS
Set (standard)	8 / 8		1 3 842 523 528	2xFS2
	8 / 10		1 3 842 523 530	1xFS2, 2xFS3, 1xFS4
	10 / 10		1 3 842 523 532	4xFS3, 2xFS4
designLINE set	8 / 8		1 3 842 551 598	2xFS2
	8 / 10		1 3 842 551 600	1xFS2, 2xFS3, 1xFS4
	10 / 10		1 3 842 551 599	4xFS3, 2xFS4
Bracket (standard)	8		100 3 842 523 525	
Cover cap, signal gray			100 3 842 548 846	
Cover cap, black			20 3 842 548 847	
Adapter for 10 mm slot	8 / 10		100 3 842 523 537	

Material: Bracket: Diecast aluminum, vibratory ground
 designLINEbracket: painted (RAL 9006)
 Adapter: PA; black
 Cover cap: PP
 Fastening material: steel; galvanized

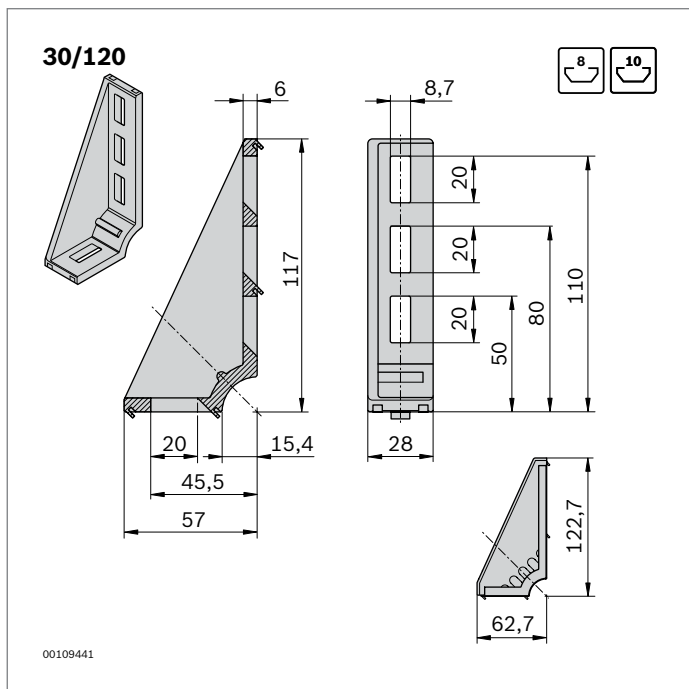
Scope of delivery: set incl. fastening material (FS)

Type				
30/30	1250 N	25 Nm	75 Nm	—





Type				
30/60	2500 N	100 Nm	170 Nm	25 Nm

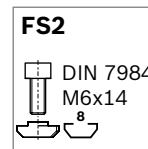


Type			
30/120	3750 N	100 Nm	47 Nm

30/60	Slot	ESD		No.	FS
Set (standard)	8 / 8		1	3 842 523 541	4xFS2
<i>designLINE</i> set	8 / 8		1	3 842 551 601	4xFS2
Bracket (standard)	8		20	3 842 523 538	
Cover cap, signal gray			20	3 842 548 848	
Cover cap, black			20	3 842 548 849	
Adapter for 10 mm slot	8 / 10		100	3 842 523 537	

Material: Bracket: Diecast aluminum, vibratory ground
designLINE bracket: painted (RAL 9006)
 Adapter: PA, black
 Cover cap: PP
 Fastening material: steel; galvanized

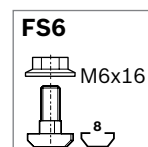
Scope of delivery: set incl. fastening material (FS)

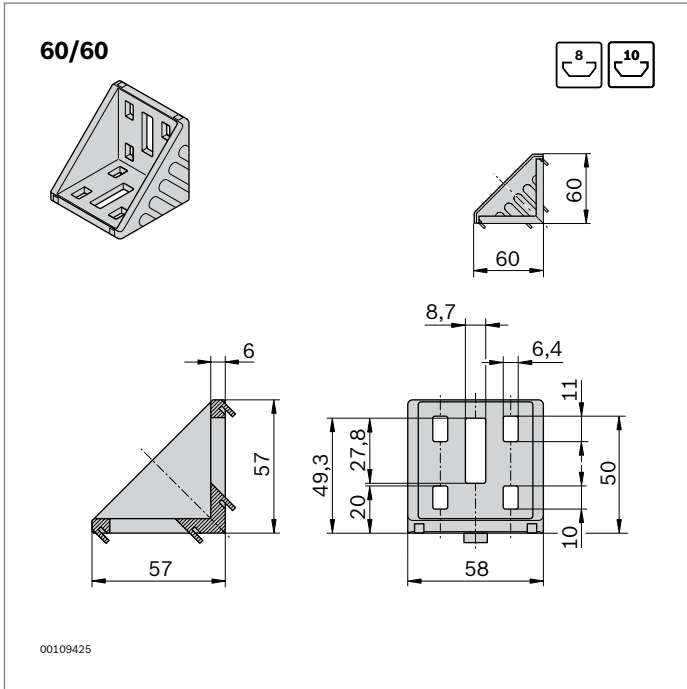


30/120	Slot	ESD		No.	FS
<i>designLINE</i> set	8 / 8		1	3 842 551 602	2xFS6
Bracket (standard)	8		20	3 842 523 587	
Cover cap, signal gray			20	3 842 548 850	
Cover cap, black			20	3 842 548 851	
Adapter for 10 mm slot	8 / 10		100	3 842 523 537	

Material: Bracket: Diecast aluminum, vibratory ground
designLINE bracket: painted (RAL 9006)
 Adapter: PA, black
 Cover cap: PP
 Fastening material: steel; galvanized

Scope of delivery: set incl. fastening material (FS)



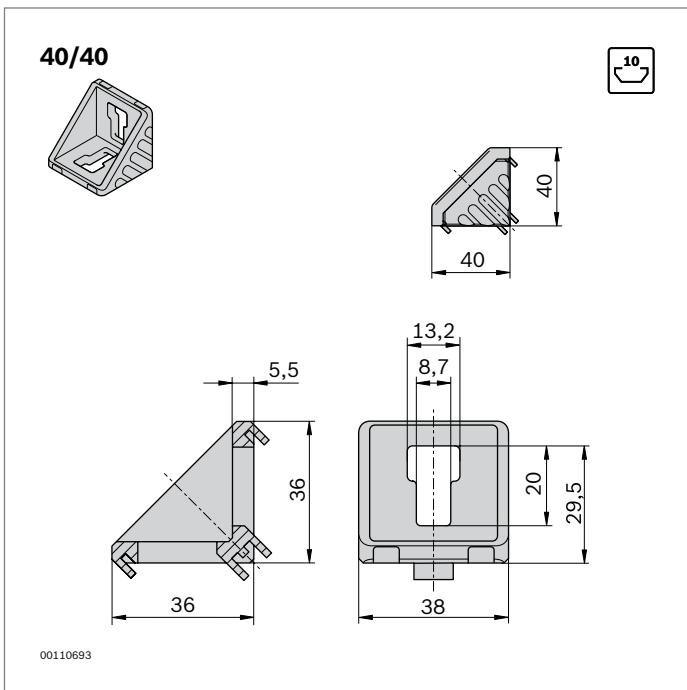
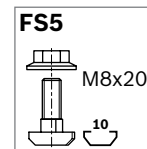
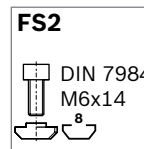


60/60	Slot	ESD	No.	FS
Set (standard)	8 / 8	⚡	1 3 842 523 549	8xFS2
	8 / 10	⚡	1 3 842 523 551	4xFS2, 1xFS5
	10 / 10	⚡	1 3 842 523 553	2xFS5
<i>designLINE</i> set	8 / 8	⚡	1 3 842 551 609	8xFS2
	8 / 10	⚡	1 3 842 551 610	4xFS2, 1xFS5
	10 / 10	⚡	1 3 842 551 611	2xFS5
Bracket (standard)	8	⚡	20 3 842 523 546	
Cover cap, signal gray			20 3 842 548 852	
Cover cap, black		⚡	20 3 842 548 853	
Adapter for 10 mm slot	10		100 3 842 523 537	

Material: Bracket: Diecast aluminum, vibratory ground
designLINE bracket: painted (RAL 9006)
 Adapter: PA; black
 Cover cap: PP
 Fastening material: steel; galvanized

Scope of delivery: set incl. fastening material (FS)

Type	Slot	F_{max}	M_{max}	M_{max}	M_{max}
60/60	8	5000 N	320 Nm	370 Nm	110 Nm
	10	3000 N	125 Nm	150 Nm	-

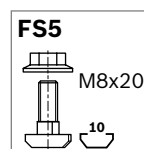


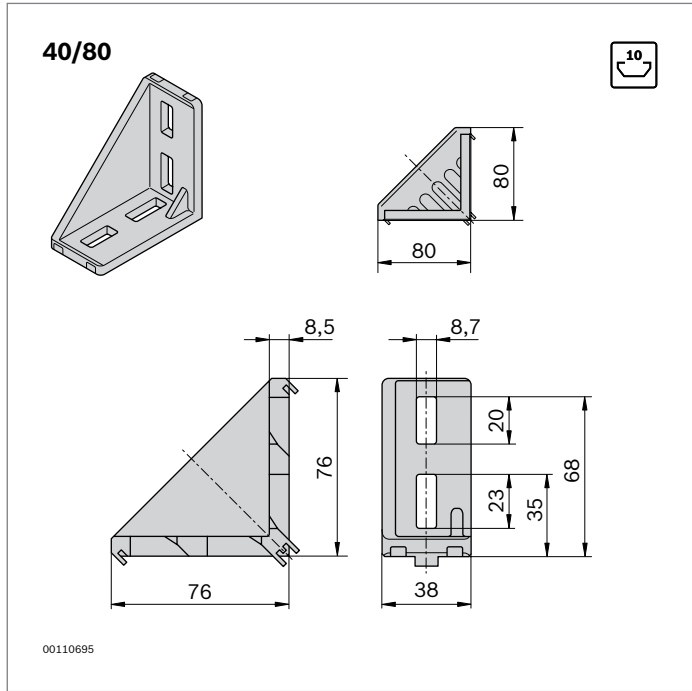
40/40	Slot	ESD	No.	FS
Set (standard)	10 / 10	⚡	1 3 842 529 383	2xFS5
<i>designLINE</i> set	10 / 10	⚡	1 3 842 551 603	2xFS5
Bracket (standard)	10	⚡	100 3 842 528 967	
Cover cap, signal gray			100 3 842 548 854	
Cover cap, black		⚡	20 3 842 548 855	

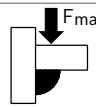
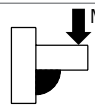
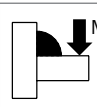
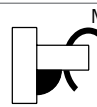
Material: Bracket: Diecast aluminum, vibratory ground
designLINE bracket: painted (RAL 9006)
 Cover cap: PP
 Fastening material: steel; galvanized






Scope of delivery: set incl. fastening material (FS)

Type	F_{max}	M_{max}	M_{max}	M_{max}
40/40	3000 N	55 Nm	145 Nm	35 Nm

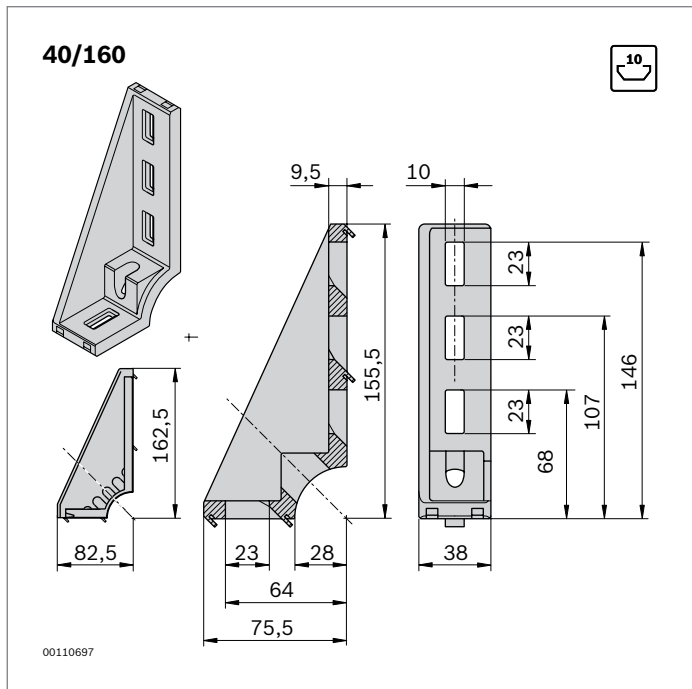
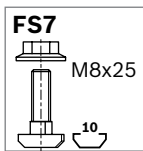


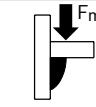
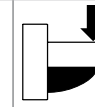
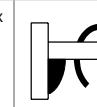




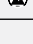

Type	 F_{max}	 M_{max}	 M_{max}	 M_{max}
40/80	6000 N	180 Nm	400 Nm	60 Nm

40/80	Slot	ESD		No.	FS
Set (standard)	10 / 10		1	3 842 529 386	4xFS7
<i>designLINE</i> set	10 / 10		1	3 842 551 604	4xFS7
Bracket (standard)	10		20	3 842 529 005	
Cover cap, signal gray			20	3 842 548 856	
Cover cap, black			20	3 842 548 857	

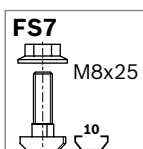
Material: Bracket: Diecast aluminum, vibratory ground
designLINE bracket: painted (RAL 9006)
 Cover cap: PP
 Fastening material: steel; galvanized
 Scope of delivery: set incl. fastening material (FS)

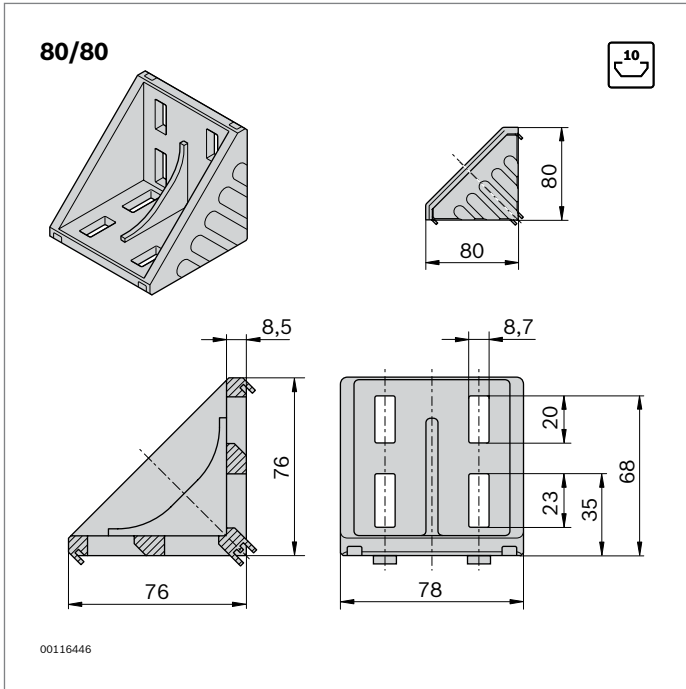







Type	 F_{max}	 M_{max}	 M_{max}
40/160	9000 N	250 Nm	60 Nm

40/160	Slot	ESD		No.	FS
<i>designLINE</i> set	10 / 10		1	3 842 551 605	2xFS7
Bracket (standard)	10		20	3 842 529 006	
Cover cap, signal gray			20	3 842 548 858	
Cover cap, black			20	3 842 548 859	

Material: Bracket: Diecast aluminum, vibratory ground
designLINE bracket: painted (RAL 9006)
 Cover cap: PP
 Fastening material: steel; galvanized
 Scope of delivery: set incl. fastening material (FS)



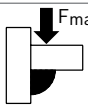
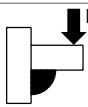
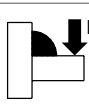
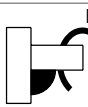


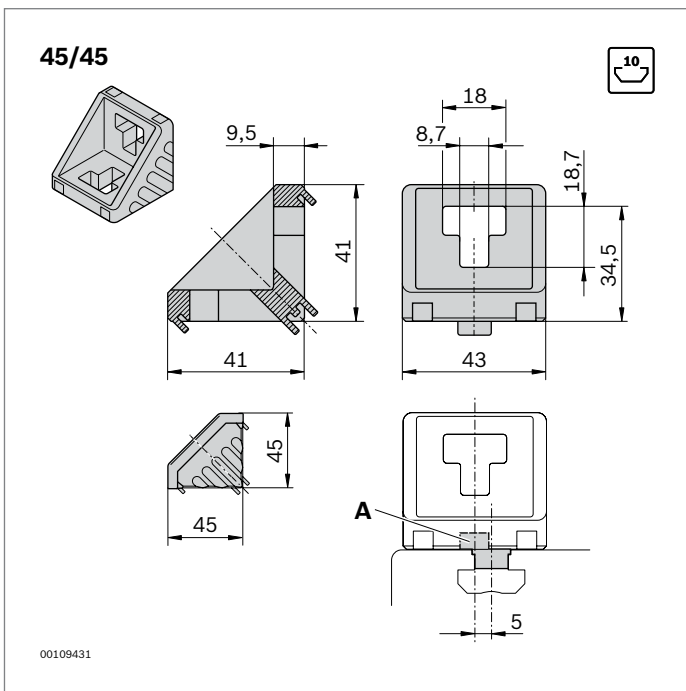
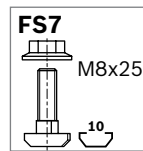
80/80	Slot	ESD		No.	FS
Set (standard)	10 / 10		1	3 842 530 360	8xFS7
<i>designLINE</i> set	10 / 10		1	3 842 551 612	8xFS7
Bracket (standard)	10		20	3 842 530 231	
Cover cap, signal gray			20	3 842 548 860	
Cover cap, black			20	3 842 548 861	






Material: Bracket: Diecast aluminum, vibratory ground
designLINE bracket: painted (RAL 9006)
 Cover cap: PP

Fastening material: steel; galvanized

Scope of delivery: set incl. fastening material (FS)

Type				
80/80	14000 N	500 Nm	1000 Nm	400 Nm

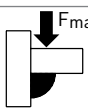
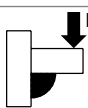
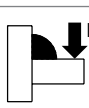
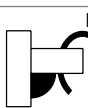


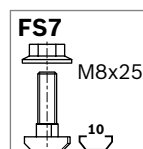
45/45	Slot	ESD		No.	FS
Set (standard)	10 / 10		1	3 842 523 561	2xFS7
<i>designLINE</i> set	10 / 10		1	3 842 551 606	2xFS7
Bracket (standard)	10		100	3 842 523 558	
Cover cap, signal gray			100	3 842 548 862	
Cover cap, black			20	3 842 548 863	
Sliding block, offset (A)	10		100	3 842 523 593	

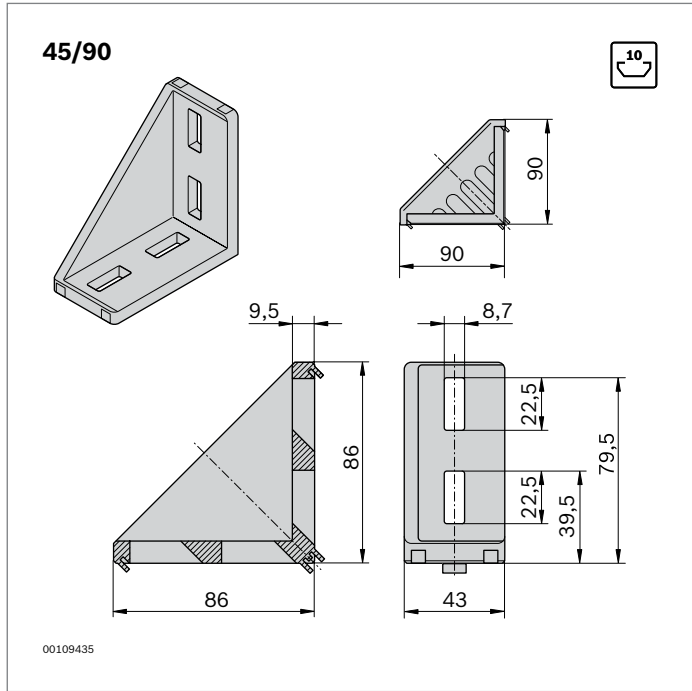
Material: Bracket: Diecast aluminum, vibratory ground
designLINE bracket: painted (RAL 9006)
 Sliding block, offset: PA, black
 Cover cap: PP

Fastening material: steel; galvanized

Scope of delivery: set incl. fastening material (FS)

Type				
45/45	3000 N	60 Nm	160 Nm	—

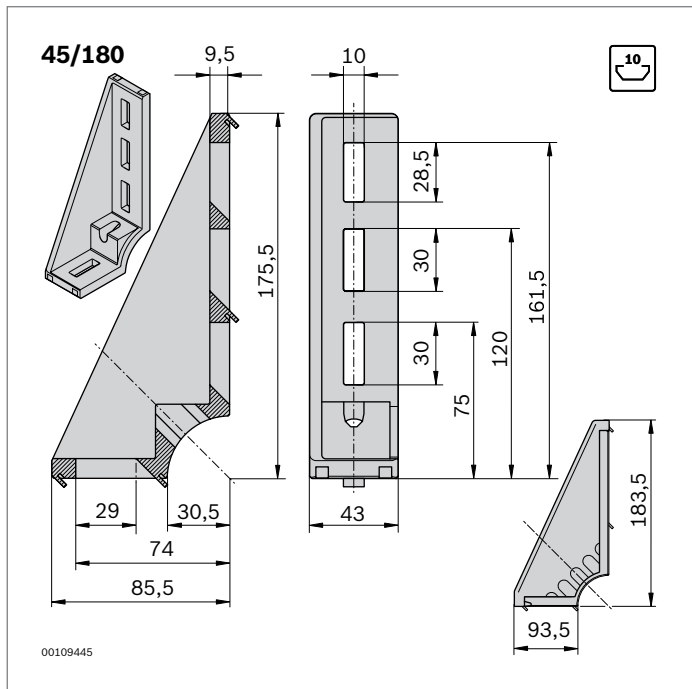
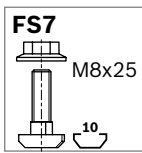




45/90	Slot	ESD		No.	FS
Set (standard)	10 / 10		1	3 842 523 570	4xFS7
<i>designLINE</i> set	10 / 10		1	3 842 551 607	4xFS7
Bracket (standard)	10		100	3 842 523 567	
Cover cap, signal gray			20	3 842 548 864	
Cover cap, black			20	3 842 548 865	

Material: Bracket: Diecast aluminum, vibratory ground
designLINE bracket: painted (RAL 9006)
 Cover cap: PP
 Fastening material: steel; galvanized
 Scope of delivery: set incl. fastening material (FS)

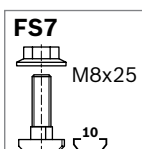
Type		F_{max}		M_{max}		M_{max}		M_{max}
45/90		6000 N		180 Nm		400 Nm		60 Nm

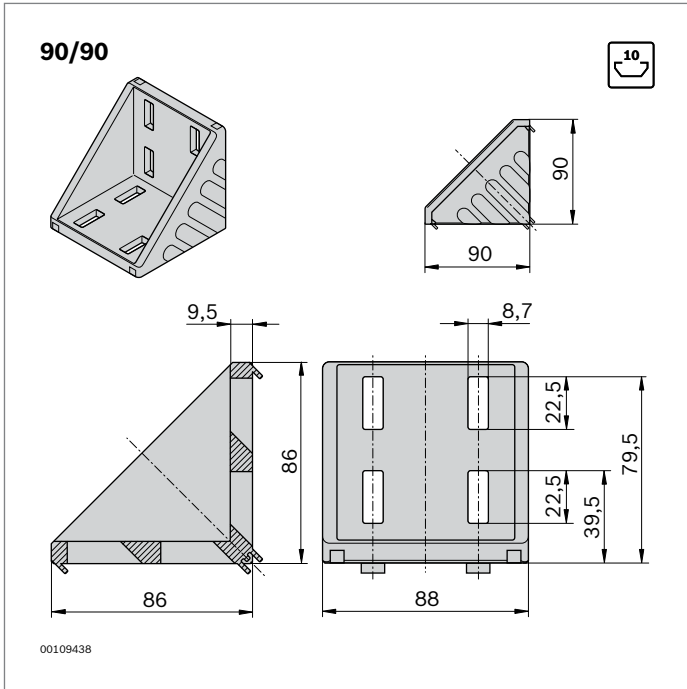







45/180	Slot	ESD		No.	FS
<i>designLINE</i> set	10 / 10		1	3 842 551 608	2xFS7
Bracket (standard)	10		20	3 842 523 583	
Cover cap, signal gray			20	3 842 548 866	
Cover cap, black			20	3 842 548 867	

Material: Bracket: Diecast aluminum, vibratory ground
designLINE bracket: painted (RAL 9006)
 Cover cap: PP
 Fastening material: steel; galvanized
 Scope of delivery: set incl. fastening material (FS)

Type		F_{max}		M_{max}		M_{max}
45/180		9000 N		250 Nm		65 Nm



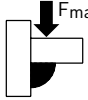
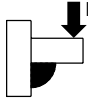
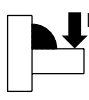



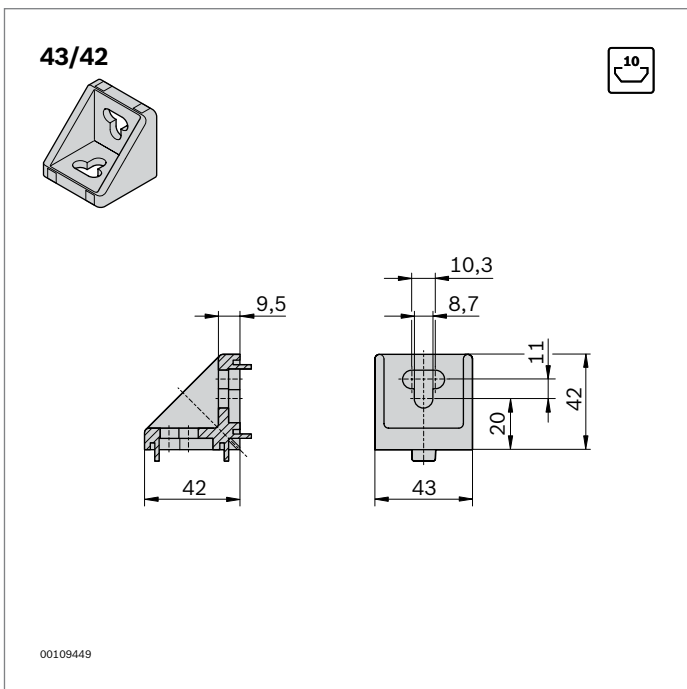
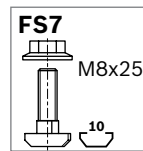
90/90	Slot	ESD		No.	FS
Set (standard)	10 / 10		1	3 842 523 578	8xFS7
<i>designLINE</i> set	10 / 10		1	3 842 551 613	8xFS7
Bracket (standard)	10		20	3 842 523 575	
Cover cap, signal gray			20	3 842 548 868	
Cover cap, black			20	3 842 548 869	




Material: Bracket: Diecast aluminum, vibratory ground
designLINE bracket: painted (RAL 9006)
 Cover cap: PP

Fastening material: steel; galvanized

Scope of delivery: set incl. fastening material (FS)

Type				
90/90	12000 N	370 Nm	800 Nm	200 Nm

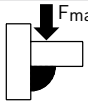
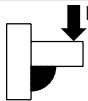
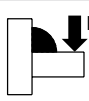
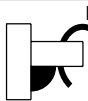


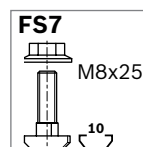
43x42	Slot	ESD		No.	FS
Set (standard)	10 / 10		1	3 842 352 009	2xFS7
Bracket (standard)	10		100	3 842 348 526	

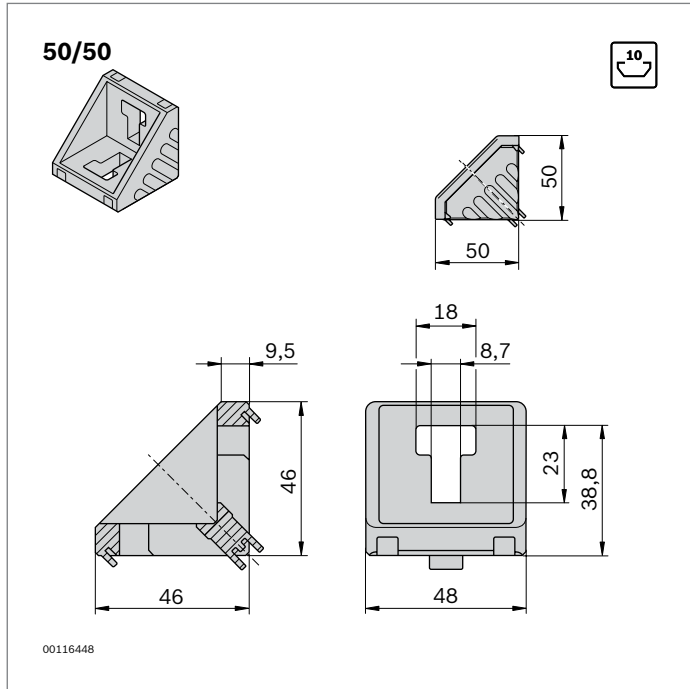
Material: Bracket: Die-cast aluminum

Fastening material: steel; galvanized

Scope of delivery: set incl. fastening material (FS)

Type				
43x42	2000 N	-	160 Nm	-

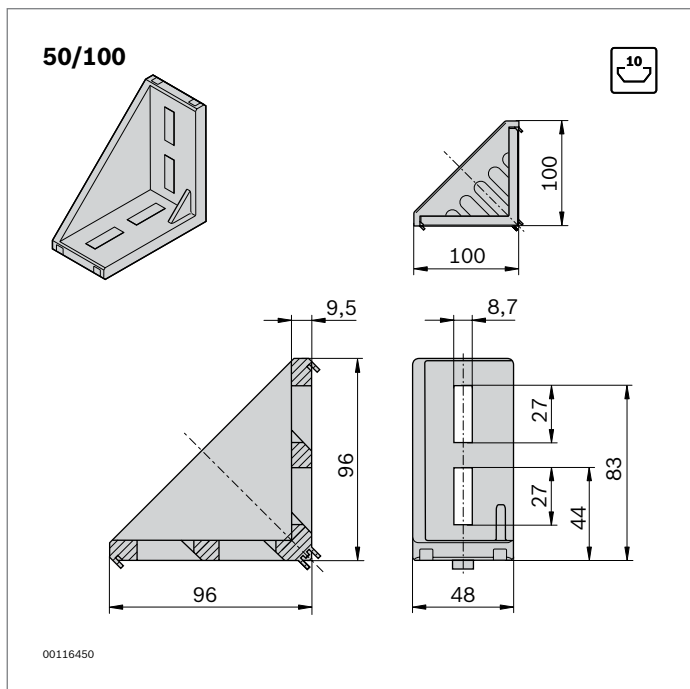
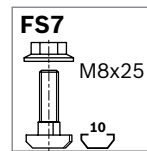




50/50	Slot	ESD		No.	FS
Set (standard)	10 / 10		1	3 842 530 259	2xFS7
Bracket (standard)	10		20	3 842 530 381	
Cover cap, signal gray			20	3 842 548 870	
Cover cap, black			20	3 842 548 871	

Material: Bracket: Diecast aluminum, vibratory ground
 Cover cap: PP
 Fastening material: steel; galvanized
 Scope of delivery: set incl. fastening material (FS)

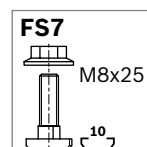
Type				
50/50	4000 N	125 Nm	250 Nm	38 Nm

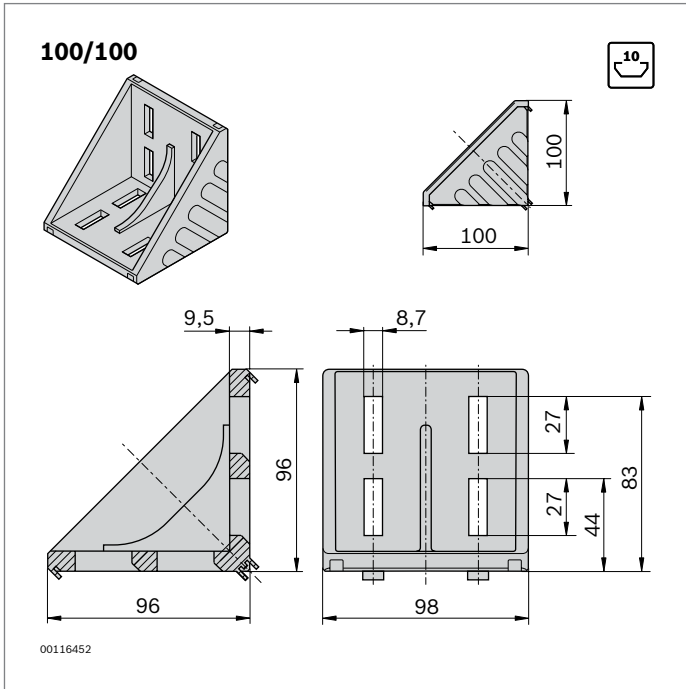


50/100	Slot	ESD		No.	FS
Set (standard)	10 / 10		1	3 842 530 260	4xFS7
Bracket (standard)	10		20	3 842 530 382	
Cover cap, signal gray			20	3 842 548 872	
Cover cap, black			20	3 842 548 873	

Material: Bracket: Diecast aluminum, vibratory ground
 Cover cap: PP
 Fastening material: steel; galvanized
 Scope of delivery: set incl. fastening material (FS)

Type				
50/100	7500 N	300 Nm	600 Nm	73 Nm





100/100	Slot	ESD	No.	FS
Set (standard)	10 / 10		1 3 842 530 361	8xFS7
Bracket (standard)	10		20 3 842 530 460	
Cover cap, signal gray			20 3 842 548 874	
Cover cap, black			20 3 842 548 875	

Material: Bracket: Diecast aluminum, vibratory ground
 Cover cap: PP
 Fastening material: steel; galvanized
 Scope of delivery: set incl. fastening material (FS)

3

Type				
100/100	15000 N	550 Nm	1100 Nm	480 Nm

