

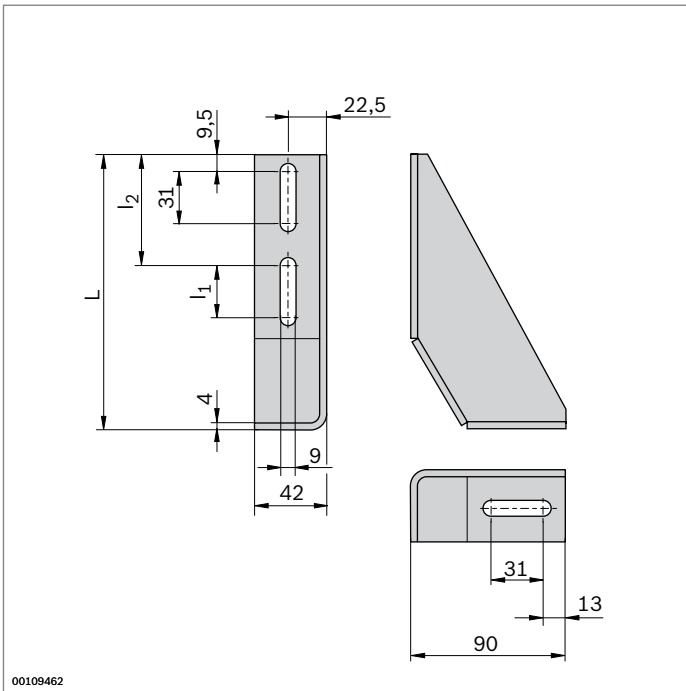
### Foundation bracket



- ▶ Foundation bracket for securing frames to the floor
- ▶ The drilled hole for the floor dowel can be made without removing the foundation bracket
- ▶ Profile finishing: not required

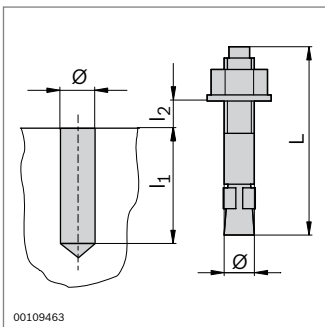
Required accessories:

- ▶ T-bolt M8x20, 10 mm slot, **3 842 528 715** (p. 3-6)
- ▶ Flange nut M8, **3 842 345 081** (p. 3-6)
- ▶ Floor dowel



Foundation bracket	L (mm)	l <sub>1</sub> (mm)	l <sub>2</sub> (mm)		No.
	160	31	64.5	20	<b>3 842 146 815</b>
	210	91	54.5	20	<b>3 842 146 848</b>

Material: sheet steel; galvanized



Floor dowel	Ø	L (mm)	l <sub>1</sub> (mm)	l <sub>2 max</sub> (mm)		No.
	8	80	65	15	100	<b>3 842 526 560</b>

Material: steel; galvanized