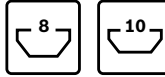
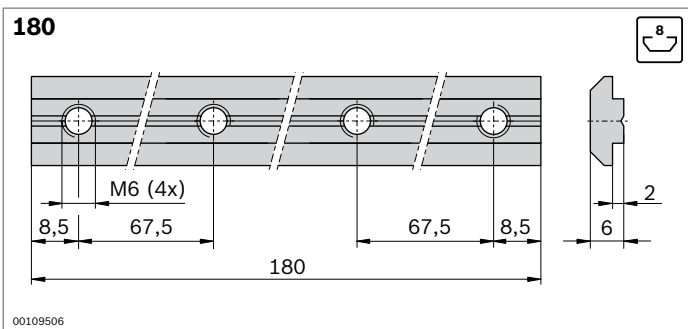
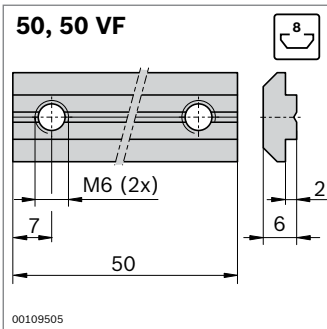


## Profile connector



- ▶ Profile connector for the end-face connection of any profiles
- ▶ For an especially strong connection: one profile connector per slot
- ▶ Profile finishing: not required



Profile connector	⌚ (Nm)	Slot	📦	No.	FS
50 VF	10	8	10	<b>3 842 536 787</b>	2xFS2
50	8,5	8	1	<b>3 842 518 427</b>	2xFS1

Material: galvanized steel, fastening material: steel;  
galvanized

Scope of delivery: incl. fastening material (FS)

### FS1



### FS2

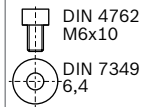


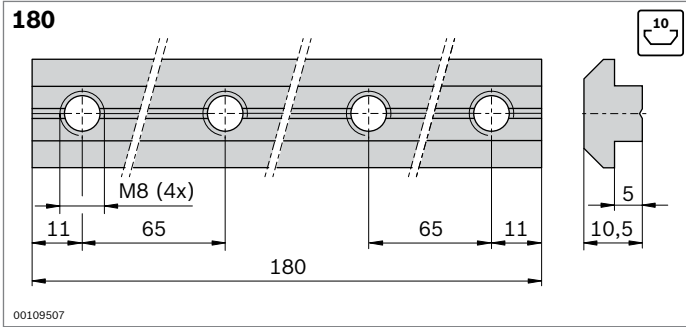
Profile connector	⌚ (Nm)	Slot	No.	FS
180	10	8	<b>3 842 521 216</b>	4xFS3

Material: galvanized steel, fastening material: steel;  
galvanized

Scope of delivery: incl. fastening material (FS)

### FS3

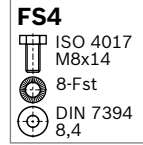




Profile connector	(Nm)	Slot	No.	FS
<b>180</b>	25	10	<b>3 842 528 746</b>	4xFS4

Material: galvanized steel, fastening material: steel; galvanized

Scope of delivery: incl. fastening material (FS)



Connection kit	(Nm)	Slot	Set	No.	FS
	18	10	1	<b>3 842 529 881</b>	4xFS5

Material: galvanized steel, fastening material: steel; galvanized

Scope of delivery: Set (2 pieces) incl. fastening material

