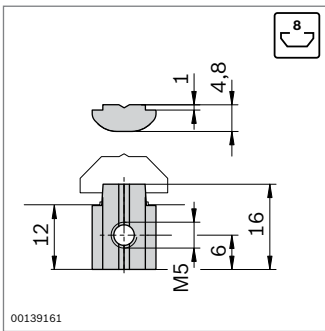


19616

Anti-torsion element

- ▶ Provides torsion resistance for profile connections with central bolts or quick connectors
- ▶ Subsequent installation in the connection possible




00139161

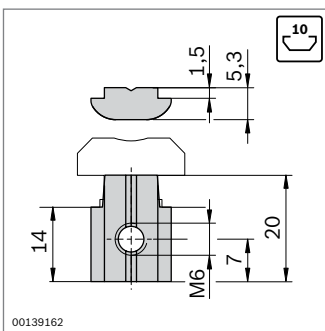
FS1



DIN 916
M5x8

Anti-torsion element	Slot		No.	FS
	8	10	3 842 530 325	FS1

Material: steel; galvanized
Fastening material: steel; galvanized




00139162

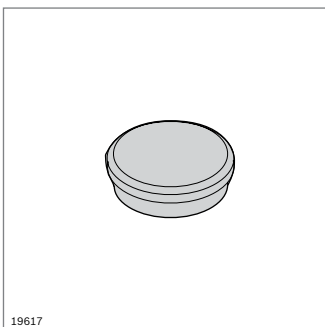
FS2



DIN 916
M6x12

Anti-torsion element	Slot		No.	FS
	10	10	3 842 530 326	FS2


Material: steel; galvanized
Fastening material: steel; galvanized



19617

Cover cap

- ▶ For sealing through-holes in closed profiles

Cover cap	∅		No.
	5.8	100	3 842 538 565
	7.8	100	3 842 538 566
	9.8	100	3 842 538 567

Material: PA, light gray RAL 7035