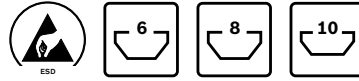
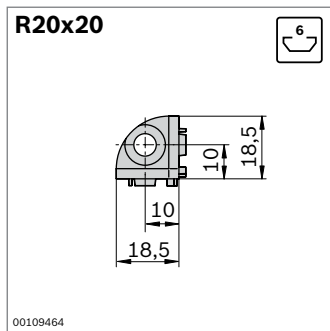


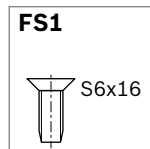
### Corner bracket



- ▶ Corner bracket for corner connection of 3 square or half-round profiles with equal cross-sections
- ▶ Screw fastening on profile with self-tapping screws
- ▶ Spherical or cubic cover caps to provide protection from injury and to prevent soiling
- ▶ Profile finishing: not required



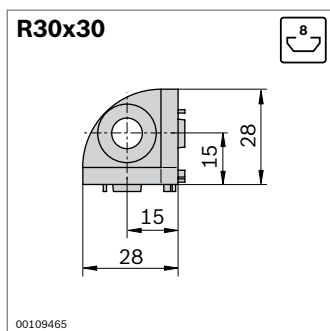
<b>Type</b>	
20/3	23 Nm



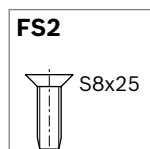
R20x20	Slot	ESD	No.	FS
Corner bracket	6		1	3 842 519 318 3xFS1
Cover cap K (ball)			10	3 842 548 708
			10	3 842 548 712
Cover cap W (cube)			10	3 842 548 716
			10	3 842 548 720

Material: Corner bracket: diecast zinc  
Fastening material: steel; galvanized

Scope of delivery: incl. fastening material (FS)



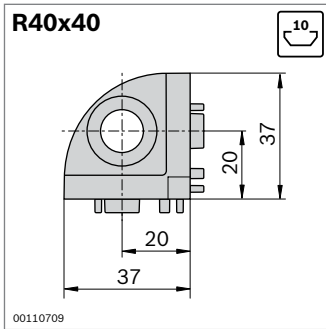
<b>Type</b>	
30/3	85 Nm



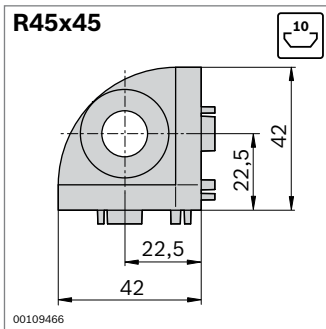
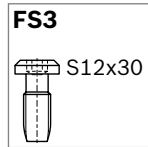
R30x30	Slot	ESD	No.	FS
Corner bracket	8		1	3 842 519 319 3xFS2
Cover cap K (ball)			10	3 842 548 709
			10	3 842 548 713
Cover cap W (cube)			10	3 842 548 717
			10	3 842 548 721

Material: Corner bracket: diecast zinc  
Fastening material: steel; galvanized

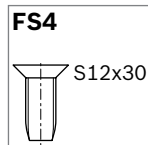
Scope of delivery: incl. fastening material (FS)



Type		
40/3	70 Nm	



Type		
45/3	45x45L	170 Nm
	45x45	240 Nm



R40x40	Slot	ESD	No.	FS
Corner bracket	10		1	<b>3 842 529 404</b> 3xFS3
Cover cap K (ball)	signal gray (PP)		10	<b>3 842 548 710</b>
	black (PP)		10	<b>3 842 548 714</b>
Cover cap W (cube)	signal gray (PP)		10	<b>3 842 548 718</b>
	black (PP)		10	<b>3 842 548 722</b>

Material: Corner bracket: diecast zinc  
Fastening material: steel; galvanized  
Scope of delivery: incl. fastening material (FS)

R45x45	Slot	ESD	No.	FS
Corner bracket	10		1	<b>3 842 519 321</b> 3xFS4
Cover cap K (ball)	signal gray (PP)		10	<b>3 842 548 711</b>
	black (PP)		10	<b>3 842 548 715</b>
Cover cap W (cube)	signal gray (PP)		10	<b>3 842 548 719</b>
	black (PP)		10	<b>3 842 548 723</b>

Material: Corner bracket: diecast zinc  
Fastening material: steel; galvanized  
Scope of delivery: incl. fastening material (FS)