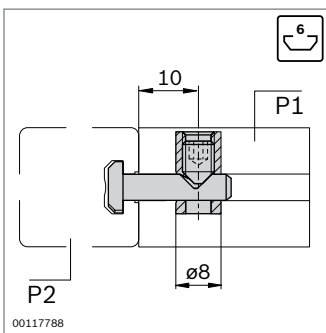
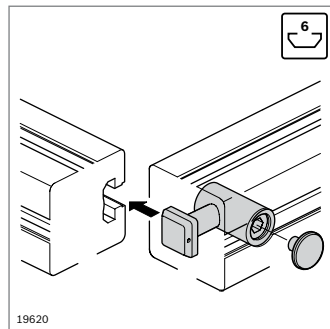
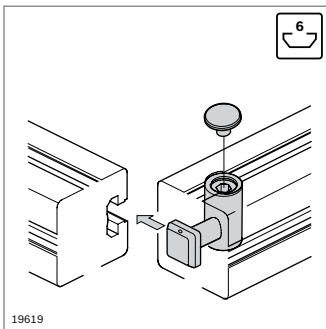


Quick connector, 6 mm slot, 0°, 90° cover cap



- ▶ For the right-angled connecting of two profiles
- ▶ Very good accessibility for tools during assembly
- ▶ Quick connector for 6 mm slot with square head; can be used as a 0° or 90° connector
- ▶ Profile finishing:
blind hole DB8 or through-hole D8

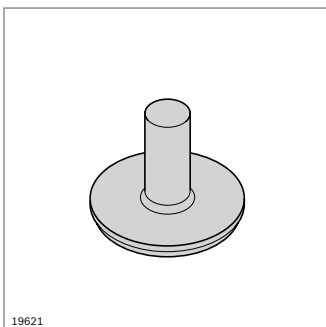
Optional accessories:
Drilling jig (p. 14-2)



Slot	F_{max}	M_{max}
6 / 6	450 N	18 Nm

Quick-clamp connector, P1 / P2	D (mm)	ESD	No.
6 / 6	8	10	3 842 537 013

Material: steel, stainless



- ▶ Cover cap for covering the connector sleeve

Cover cap	D (mm)	No.
	8	3 842 538 562

Material: PE, light gray RAL 7035