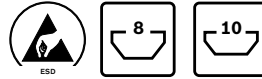
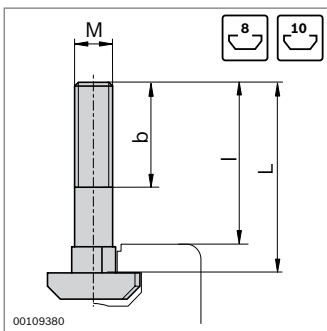
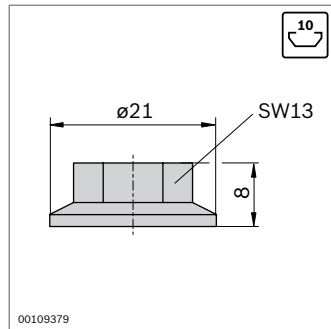
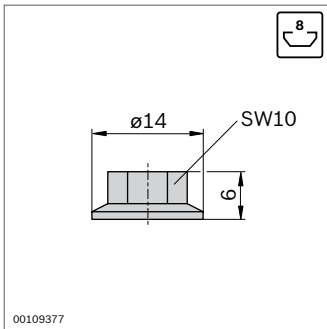


Flange nut T-bolt



- ▶ Secure, conductive connection
- ▶ Notch at bolt end as marker for identifying correct position
- ▶ Profile finishing: not required

Technical data (p. 19-5)



Slot	
8	4000 N
10	6000 ... 18000 N ¹⁾

¹⁾ Depending on profile (p. 19-5)

Flange nut	Slot	M	ESD		No.
	8	M6		100	3 842 523 925
	10	M8		100	3 842 345 081

Material: steel; galvanized

T-bolt	Slot	MxL	b (mm)	l (mm)	ESD		No.
8	8	M6x16	10	14		100	3 842 523 920
		M6x20	14	18		100	3 842 523 921
		M6x25	18	23		100	3 842 523 922
10	10	M8x20	14	14		100	3 842 528 715
		M8x25	19	19		100	3 842 528 718
		M8x30	24	24		100	3 842 528 721
		M8x40	22	34		100	3 842 528 724
		M8x50	22	44		100	3 842 528 727
		M8x60	22	54		100	3 842 528 730

Material: steel; galvanized