

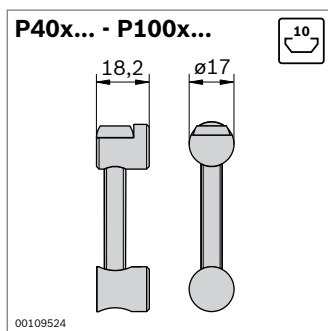
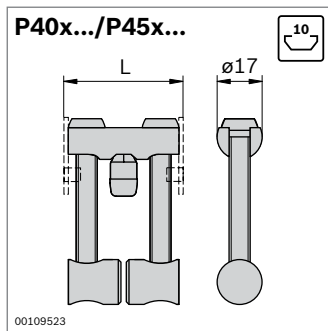
Longitudinal end connector



- ▶ For the end-to-end connecting of two profiles
- ▶ Standard profile finishing:
 - through-hole D17 (longitudinal end connector on both sides)
 - blind hole DB17 or through-hole D17 (longitudinal end connector on one side)

Optional accessories:

Cover cap D17 x 44,6; ESD (p. 3-59)



Longitudinal end connector, two-sided	L (mm)	ESD	No.
Profile 40x...	40	⚡*	3 842 554 442
Profile 45x...	45	⚡*	3 842 554 440

Material: Longitudinal end connector: screw steel, galvanized

Centering pin, caps: PP, signal gray

Scope of delivery: incl. 4 x cover cap

* Longitudinal end connector establishes conductive connection. Cover caps included in the set are not ESD-compatible.

Longitudinal end connector, one-sided	ESD	No.
Profile 40x... – 100x...	⚡*	3 842 554 444

Material: Longitudinal end connector: screw steel, galvanized

Centering pin, caps: PP, signal gray

Scope of delivery: incl. 2 x cover cap

* Longitudinal end connector establishes conductive connection. Cover caps included in the set are not ESD-compatible.