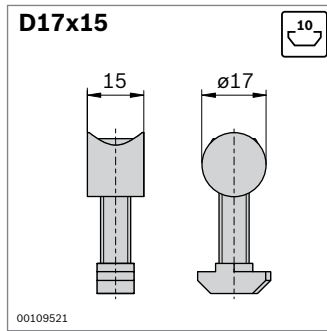
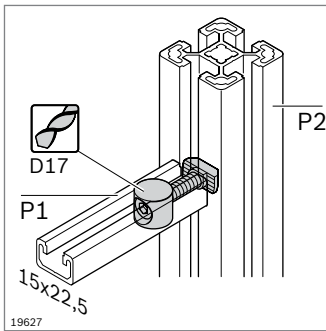


Bolt connector	P1 / P2 ESD		No.
<b>D11x11</b>	8 / 8		10 <b>3 842 535 617</b>
Material: steel; galvanized			



Bolt connector	P1 / P2 ESD		No.
<b>D17x15</b>	10 / 10		10 <b>3 842 535 619</b>
Material: steel; galvanized			