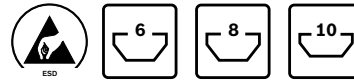


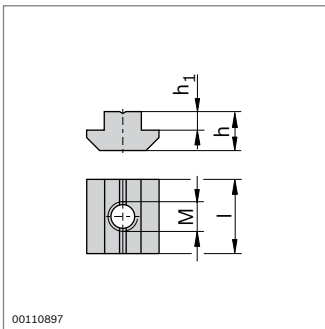
19615

Sliding block, sliding block profile



- ▶ Sliding block for reliable absorption of high forces
- ▶ Sliding block profile for self-assembly of individual fastening elements
- ▶ Profile finishing: not required
- ▶ The spring assists with the assembly and positioning of the sliding block and swivel-in sliding block (p. 3-8)

Technical data (p. 19-5)



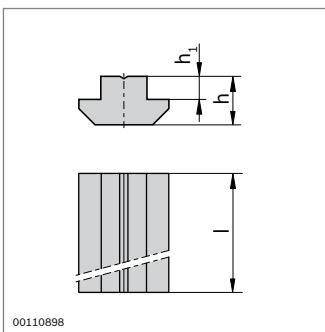
00110897

Slot	
6 (M5)	3 000 N
8 (M8)	6 000 N
10 (M8)	8 000 ... 24 000 N ¹⁾

¹⁾ Depending on profile (p. 19-5)

Sliding block	Slot	M	h (mm)	h ₁ (mm)	l (mm)	ESD	No.
steel; galvanized	6	M4	4.0	1.0	12		100 3 842 542 692
		M5	4.0	1.0	12		100 3 842 542 693
	8	M4	6.0	2.0	16		100 3 842 514 928
		M5	6.0	2.0	16		100 3 842 514 929
		M6	6.0	2.0	16		100 3 842 514 930
		M8	6.0	2.0	16		100 3 842 514 931
10	M5	10.5	5.0	20		100 3 842 528 741	
	M6	10.5	5.0	20		100 3 842 528 738	
	M8	10.5	5.0	20		100 3 842 528 735	
steel, stainless	6	M4	4.0	1.0	12		100 3 842 523 140
		M5	4.0	1.0	12		100 3 842 523 142
	8	M4	6.0	2.0	16		100 3 842 547 817
		M5	6.0	2.0	16		100 3 842 547 816
		M6	6.0	2.0	16		100 3 842 547 815
		M8	6.0	2.0	16		100 3 842 547 814
	10	M5	10.5	5.0	20		100 3 842 547 813
		M6	10.5	5.0	20		100 3 842 547 812
		M8	10.5	5.0	20		100 3 842 547 811

Accessories: Spring (p. 3-9)



00110898

Sliding block profile	Slot	h (mm)	h ₁ (mm)	l (mm)	No.
steel; galvanized	6	4.0	1.0	1000	3 842 542 694
	8	6.0	2.0	1000	3 842 510 078
	10	10.5	5.0	1000	3 842 528 744
steel, stainless	6	4.0	1.0	1000	3 842 523 438

Accessories: Spring (p. 3-9)