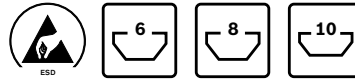
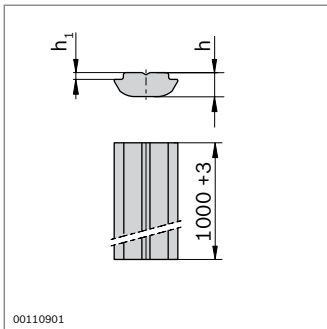


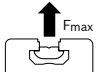
Sliding block, swivel-in sliding block profile, swivel-in spring



- ▶ Swivel-in sliding block profile for self-assembly of individual fastening elements
- ▶ The swivel-in sliding block for inserting directly at the installation position for really easy assembly
- ▶ The swivel-in sliding block with spring can be inserted directly at the assembly point and fixed in position thanks to attached springs
- ▶ The swivel-in sliding block with headless setscrews permits shake-proof fixing in all positions
- ▶ Profile finishing: not required

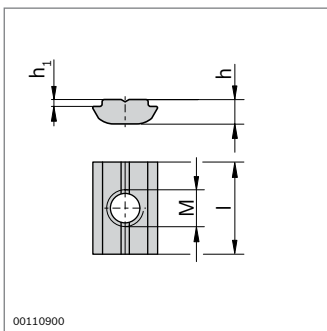
Technical data (p. 19-5)







Slot	
8 (M8)	2 200 N
10 (M8)	8 000 ... 18 000 N ¹⁾

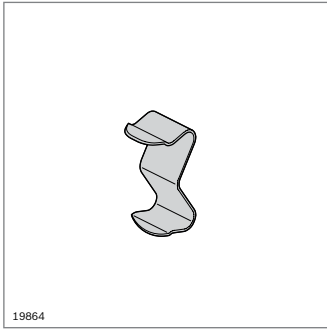
¹⁾ Depending on profile (p. 19-5)

Swivel-in sliding block profile	Slot	h (mm)	h ₁ (mm)	l (mm)	No.
steel; galvanized	8	4.8	1.0	1000	3 842 529 327
	10	5.3	1.5	1000	3 842 529 325

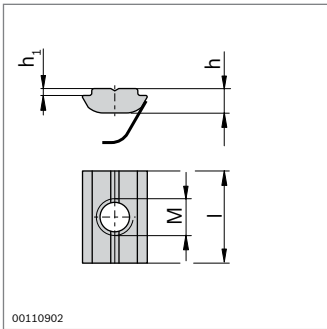


Sliding block, swivel-in	Slot	M	h (mm)	h ₁ (mm)	l (mm)	ESD	No.	
steel; galvanized	8	M5	4.8	1.0	16		100 3 842 529 319	
		M6	4.8	1.0	16		100 3 842 529 320	
		M8	4.8	1.0	16		100 3 842 529 321	
	10	M6	5.3	1.5	20		100 3 842 529 323	
		M8	5.3	1.5	20		100 3 842 529 324	
steel, stainless	6	M3	3.0	0.9	12		100 3 842 547 826	
		M4	3.0	0.9	12		100 3 842 536 669	
		M5	3.0	0.9	12		100 3 842 547 825	
	8	M6	4.8	1.0	16		100 3 842 530 321	
		10	M8	5.3	1.5	20		100 3 842 530 316

Accessories: spring (p. 3-9)



19864



00110902

Slot	
8 (M8)	2 200 N
10 (M8)	8 000 ... 18 000 N ¹⁾

¹⁾ Depending on profile (p. 19-5)

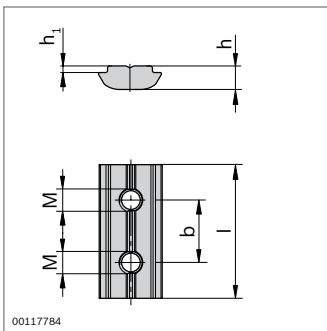
- ▶ The spring assists with the assembly and positioning of the sliding block and swivel-in sliding block

Spring	Slot		No.
Spring steel, stainless	6	100	3 842 523 145
	8	100	3 842 516 685
	10	100	3 842 516 669

3

Swivel-in sliding block with spring	Slot	M	h (mm)	h ₁ (mm)	l (mm)	ESD	No.
steel; galvanized	8	M4	4.8	1.0	16		100 3 842 529 294
		M5	4.8	1.0	16		100 3 842 529 295
		M6	4.8	1.0	16		100 3 842 529 296
		M8	4.8	1.0	16		100 3 842 529 297
	10	M4	5.3	1.5	20		100 3 842 541 393
		M5	5.3	1.5	20		100 3 842 529 298
		M6	5.3	1.5	20		100 3 842 529 299
		M8	5.3	1.5	20		100 3 842 529 300
steel, stainless	8	M4	4.8	1.0	16		100 3 842 547 824
		M5	4.8	1.0	16		100 3 842 547 823
		M6	4.8	1.0	16		100 3 842 547 822
		M8	4.8	1.0	16		100 3 842 547 821
	10	M5	5.3	1.5	20		100 3 842 547 808
		M6	5.3	1.5	20		100 3 842 547 807
		M8	5.3	1.5	20		100 3 842 547 806

Material: Spring: Spring steel, stainless



00117784

Sliding block, swivel-in, with headless setscrew	Slot	M	b (mm)	h (mm)	h ₁ (mm)	l (mm)		No.
steel; galvanized	8	M5	12	4.8	1.0	24	100	3 842 536 675
	10	M5	14	5.3	1.5	30	100	3 842 536 676
steel, stainless	6	M4	8	3.0	0.9	15	100	3 842 536 673