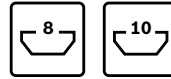
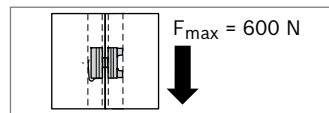
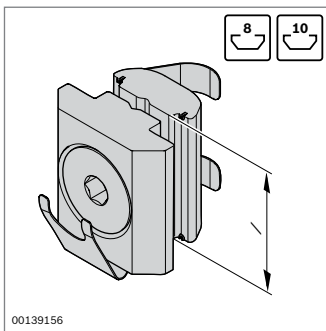


### Parallel connector



- ▶ For gap-free connecting of two strut profiles, parallel to the axis or at any angle
- ▶ Parallel connector consisting of two sliding blocks with welded springs for simple assembly
- ▶ Attractive-looking interior connection, e.g. for material shelves
- ▶ Connection possible in any position
- ▶ Transferable displacement force per parallel connector: 600 N
- ▶ Profile finishing: through-hole



Parallel connector	Slot I (mm)		No.
	8	16 10	<b>3 842 542 737</b>
	10	20 10	<b>3 842 542 736</b>

Material: Sliding block: steel; galvanized  
 Spring: Spring steel, stainless

Scope of delivery: sliding block with spring, swivel-in sliding block with spring, countersunk screw M5