

Universal plate



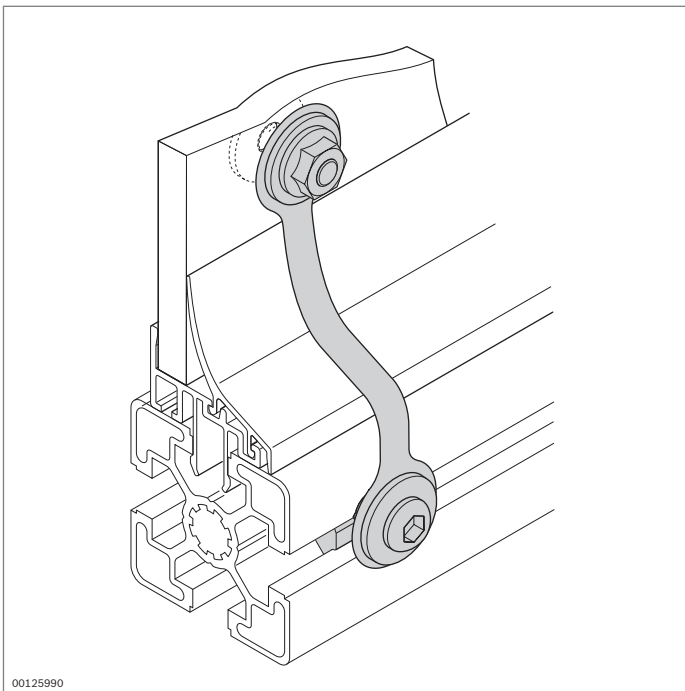
- For the construction of trays, material shuttles, or privacy shields on tables or frames

Accessories:

Frame profile, support of surface elements

Universal plate	ESD	No.
PP		3 842 516 837
PS		3 842 516 838

Material: PP: gray, smooth on one side, grained on the other
PS: black, smooth on both sides



Potential equalizer



- To establish a defined electrostatic conduction between surface elements and strut profiles

Potential equalizer	ESD		No.
		10	3 842 536 148

Material: strip steel, non-rusting fastening material: steel; galvanized

Scope of delivery: Incl. fastening material