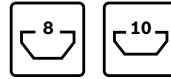
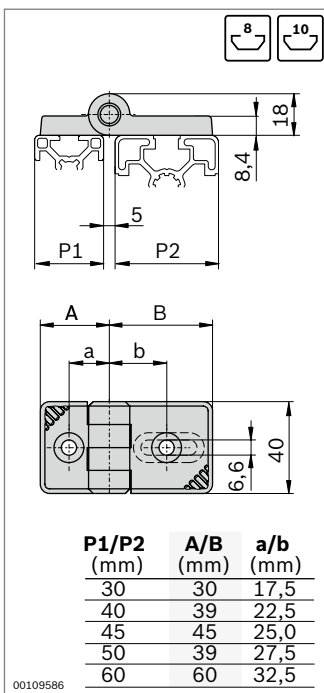


19881

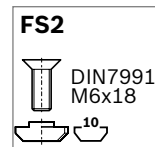
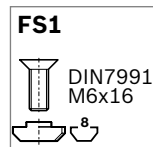
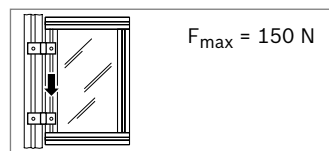
Hinge, plastic

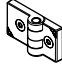


- ▶ Plastic hinge for profiles with 8 mm or 10 mm slot
- ▶ Assembly possible on solid surface elements
- ▶ Centering bolts for easy assembly and as a anti-torsion element



00109586



Hinge, plastic	P1 (mm)	P2 (mm)	No.	FS
	30	30	2 3 842 544 500	2xFS1
	30	40/50	2 3 842 544 501	1xFS1, 1xFS2
	30	45	2 3 842 544 502	1xFS1, 1xFS2
	30	60	2 3 842 544 503	1xFS1, 1xFS2
	40/50	40/50	2 3 842 544 504	2xFS2
	45	45	2 3 842 544 505	2xFS2
	45	60	2 3 842 544 506	2xFS2
	60	60	2 3 842 544 507	2xFS2

Material: PA; black
 Hinge axle: steel; galvanized
 Fastening material: steel; galvanized

Scope of delivery: Incl. fastening material (FS)