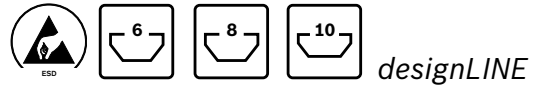
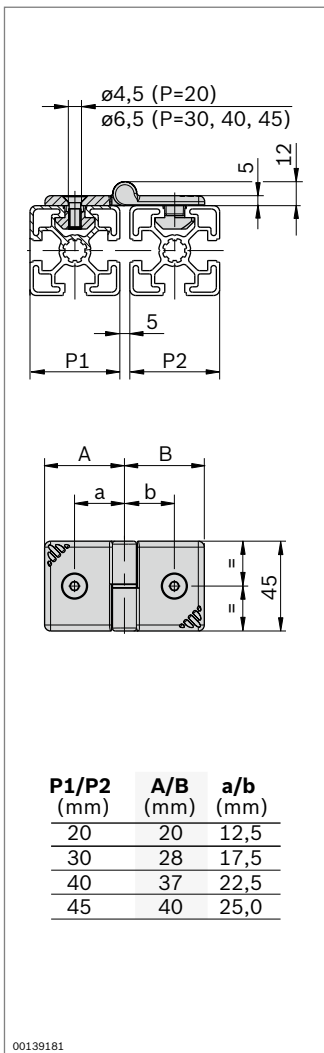


00139180

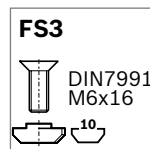
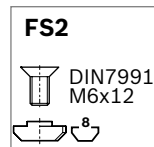
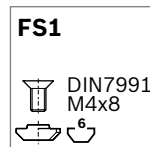
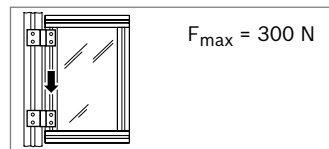
LIFTOFF hinge



- ▶ Removable compact hinge, opening to the right or left
- ▶ *designLINE* version with special silver paint (RAL 9006) for an attractive, high-quality design
- ▶ Centering lugs as an assembly aid and twist lock



00139181



LIFTOFF hinge	P1 (mm)	P2 (mm)	No.	FS
right	20	20	2 3 842 543 334	2xFS1, FS4
	20	30	2 3 842 543 333	FS1, FS2, FS4
	30	30	2 3 842 543 332	2xFS2, FS4
	30	40	2 3 842 543 331	FS2, FS3, FS4
	30	45	2 3 842 543 330	FS2, FS3, FS4
	40	40	2 3 842 543 329	2xFS3, FS4
	45	45	2 3 842 543 328	2xFS3, FS4
left	20	20	2 3 842 543 327	2xFS1, FS4
	20	30	2 3 842 543 326	FS1, FS2, FS4
	30	30	2 3 842 543 325	2xFS2, FS4
	30	40	2 3 842 543 324	FS2, FS3, FS4
	30	45	2 3 842 543 323	FS2, FS3, FS4
	40	40	2 3 842 543 322	2xFS3, FS4
	45	45	2 3 842 543 321	2xFS3, FS4

Material: Hinge: diecast aluminum, painted
Fastening material: steel; galvanized
Grooved pin: steel; galvanized
Washer: PA

Scope of delivery: Incl. fastening material (FS)